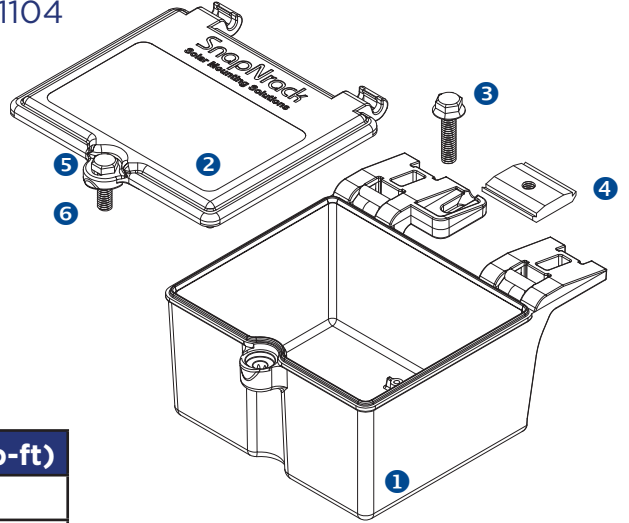


Junction Box R for Rail Installation Manual

Part No. 242-01104

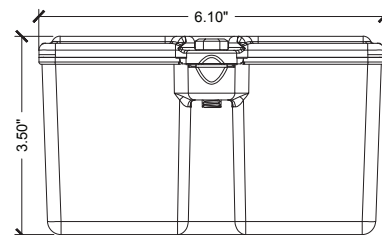
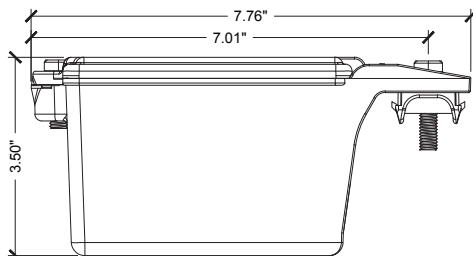
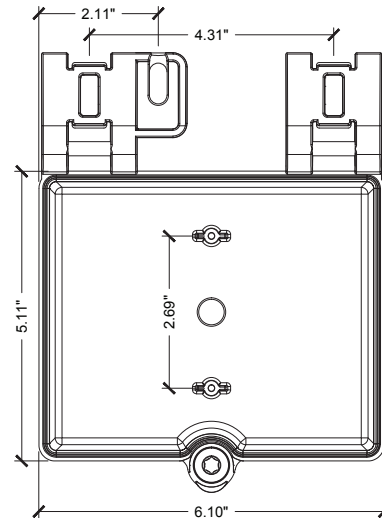
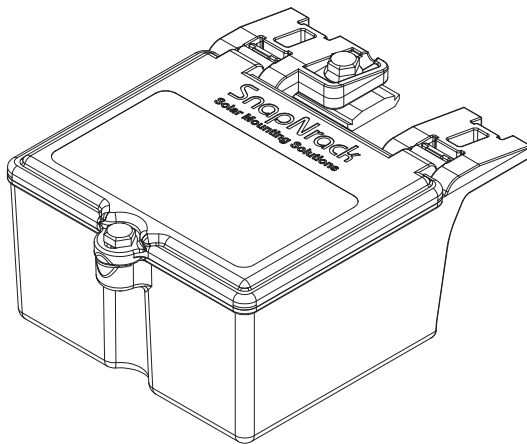
Materials Included

- ① (1) SnapNrack Junction Box Body
- ② (1) SnapNrack Junction Box Lid w/Gasket
- ③ (1) 5/16"-18 X 1-1/4" SS HCS Bolt
- ④ (1) SnapNrack Channel Nut
- ⑤ (1) 5/16"-18 X 1" SS HCS Bolt
- ⑥ (1) 5/16"-18 Self-Retaining Washer



Hardware Description	Torque Specification (lb-ft)
Junction Box Channel Nut	5 lb-ft (60 lb-in)
Junction Box Lid	3 lb-ft (36 lb-in)

Technical Specifications	
Internal Dimensions	5.5" x 4.5" x 3.2" (inner box area)
Material	Box: Polycarbonate Gasket: Rubber
UL Environmental Rating	Type 4X (NEMA 4X)
Certifications	UL50
Temperature Range	-40°F - 185°F (-40°C - 85°C)
Compatibility	Box Mount: Ultra Rail, S100 Standard Rail, S200 Ground Rail Internal Mount: Type O DIN Rail



Required Tools

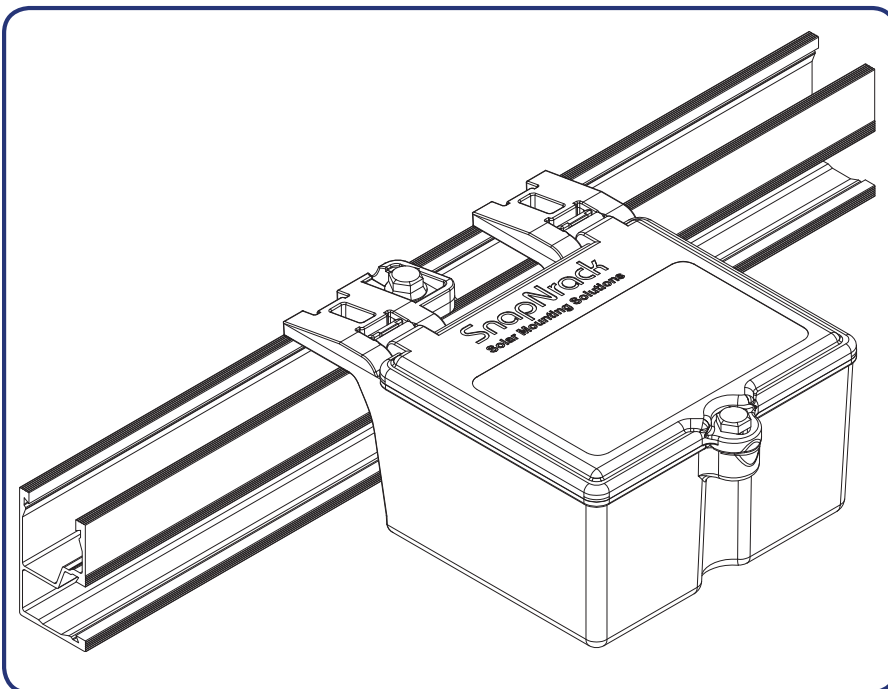
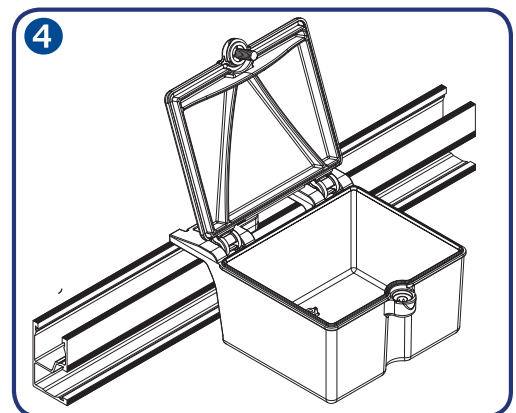
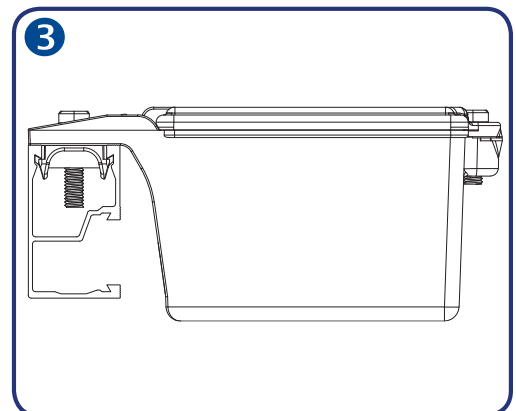
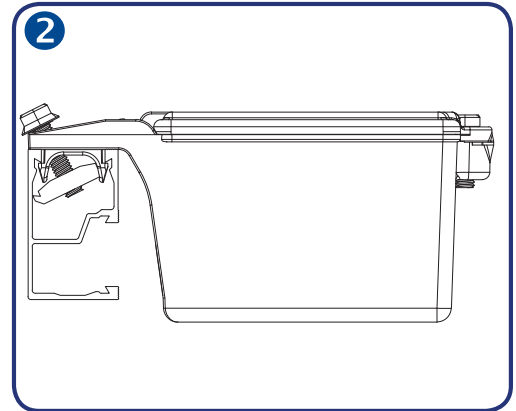
- Socket Wrench
- Torque Wrench
- 1/2" Socket

Step-by-Step Instructions

1. Mount the junction box at the edge of the array where the conduit will terminate. Junction box access after installation should not require the removal of more than one module.
2. Tilt bolt and channel nut so one side of channel nut can easily fall into top rail channel. Press junction box until both clips snap into top rail channel.
3. Pull up on the head of the bolt to snap the channel nut into the top rail channel. Torque mount bolt to 5 lb-ft (60 lb-in).
4. Install outdoor-rated, sealed conduit fitting or sealed strain relief to side wall of junction box and complete wiring installation.

CAUTION: Nonmetallic enclosure does not provide grounding between conduit connections. Use grounding bushings and jumper wires.

5. Once wiring is complete, close lid and tighten bolt until the front lid tab makes contact with the tab on the box, then torque to 3 lb-ft (36 lb-in) minimum.



Installation Note:

To avoid the accumulation of water as a result of condensation inside junction boxes it is acceptable to add drainage openings with a minimum diameter of 1/8 inch and a maximum diameter of 1/4 inch. (Per NEC, 314.15)