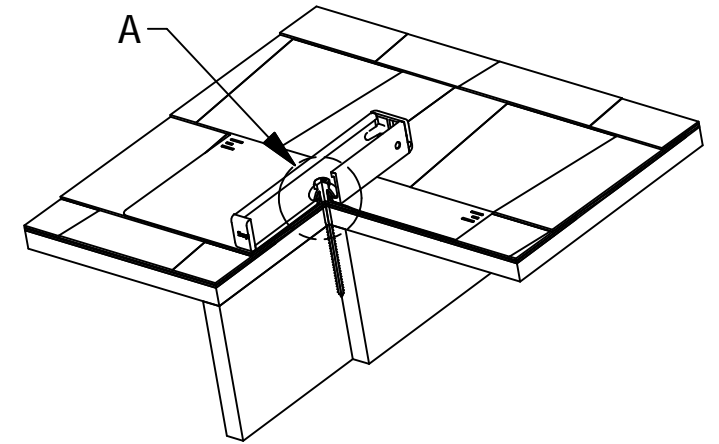
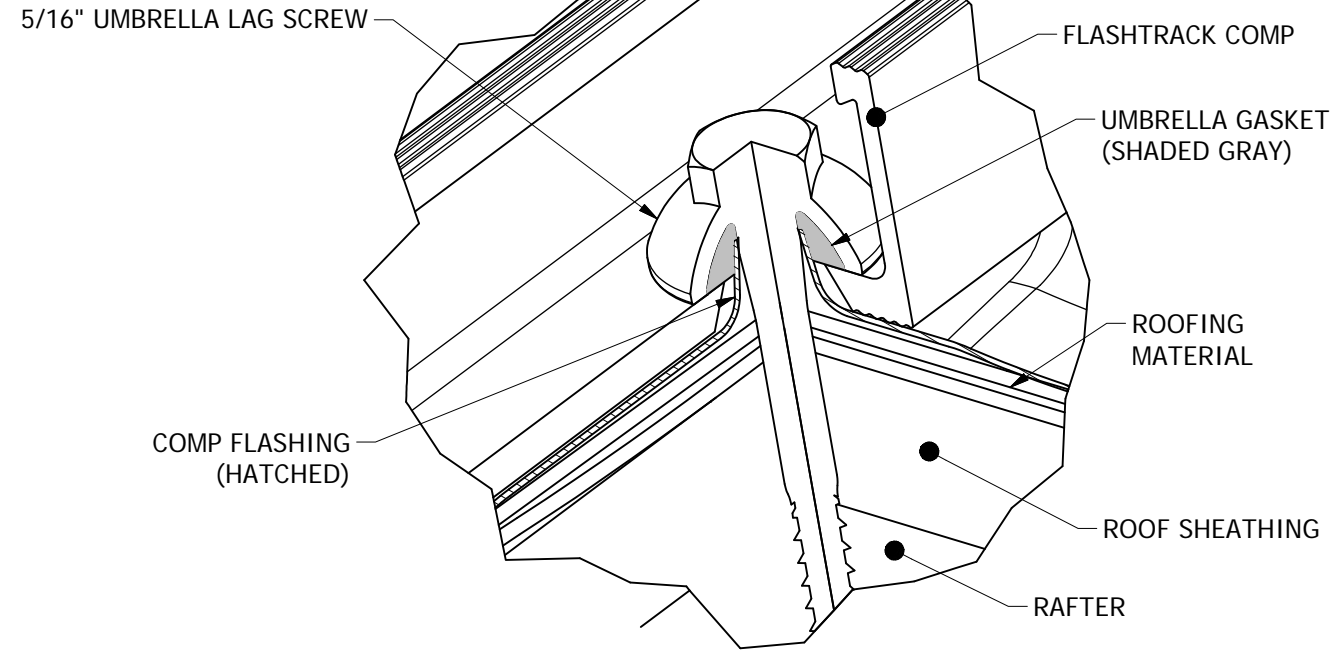
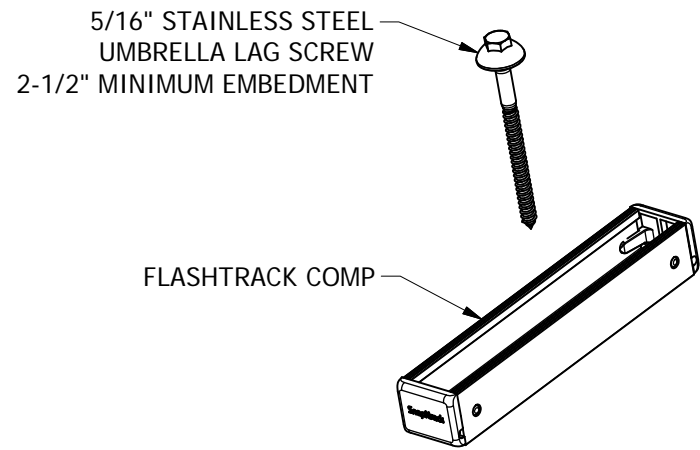


SNAPRACK RL FLASHTRACK COMP MOUNTING

5/16" UMBRELLA LAG SCREW MUST EMBED 2-1/2" INTO THE ROOF STRUCTURAL MEMBER/RAFTER

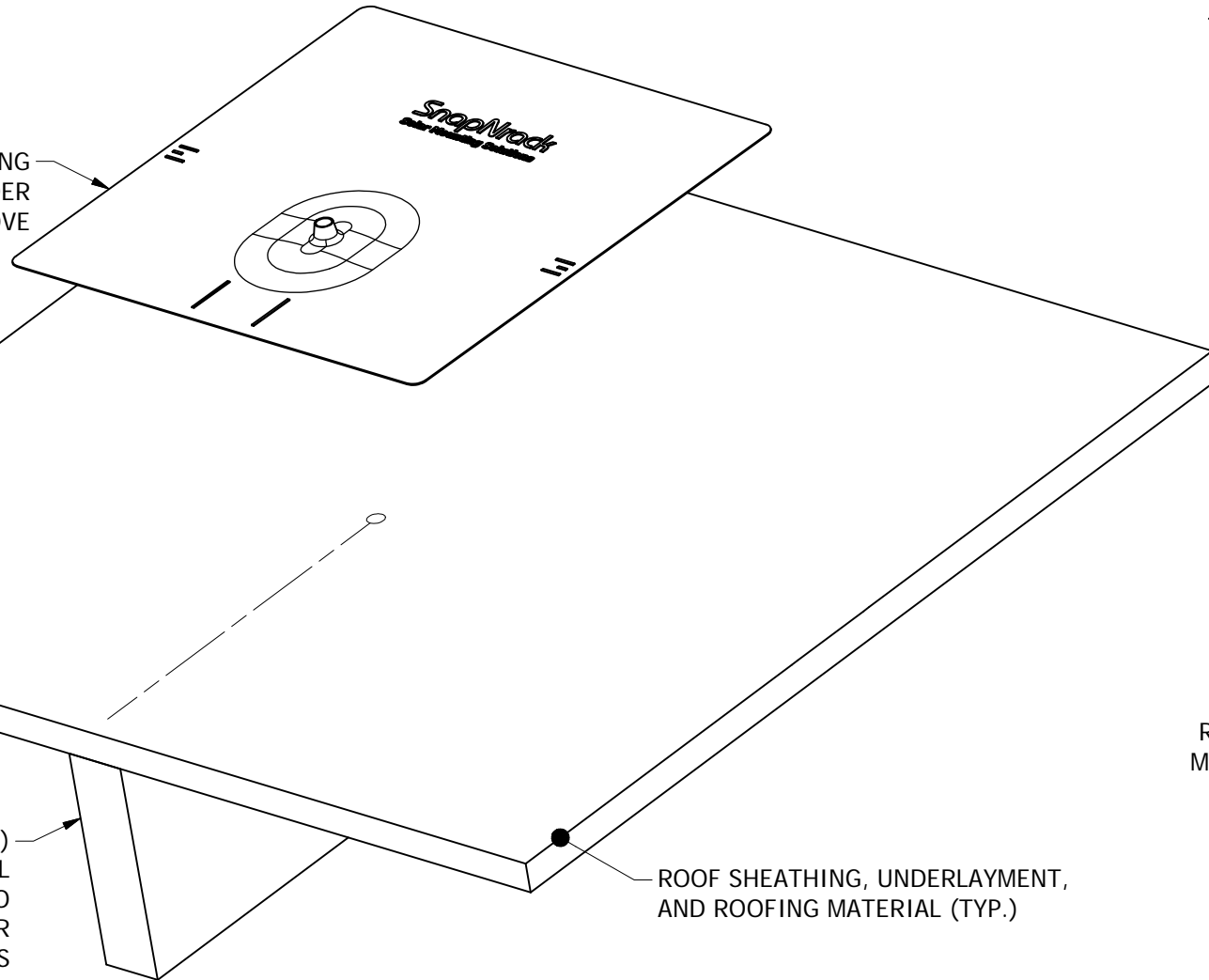
REVISION:		
A	6/19/2017	NEW ITEM GTV



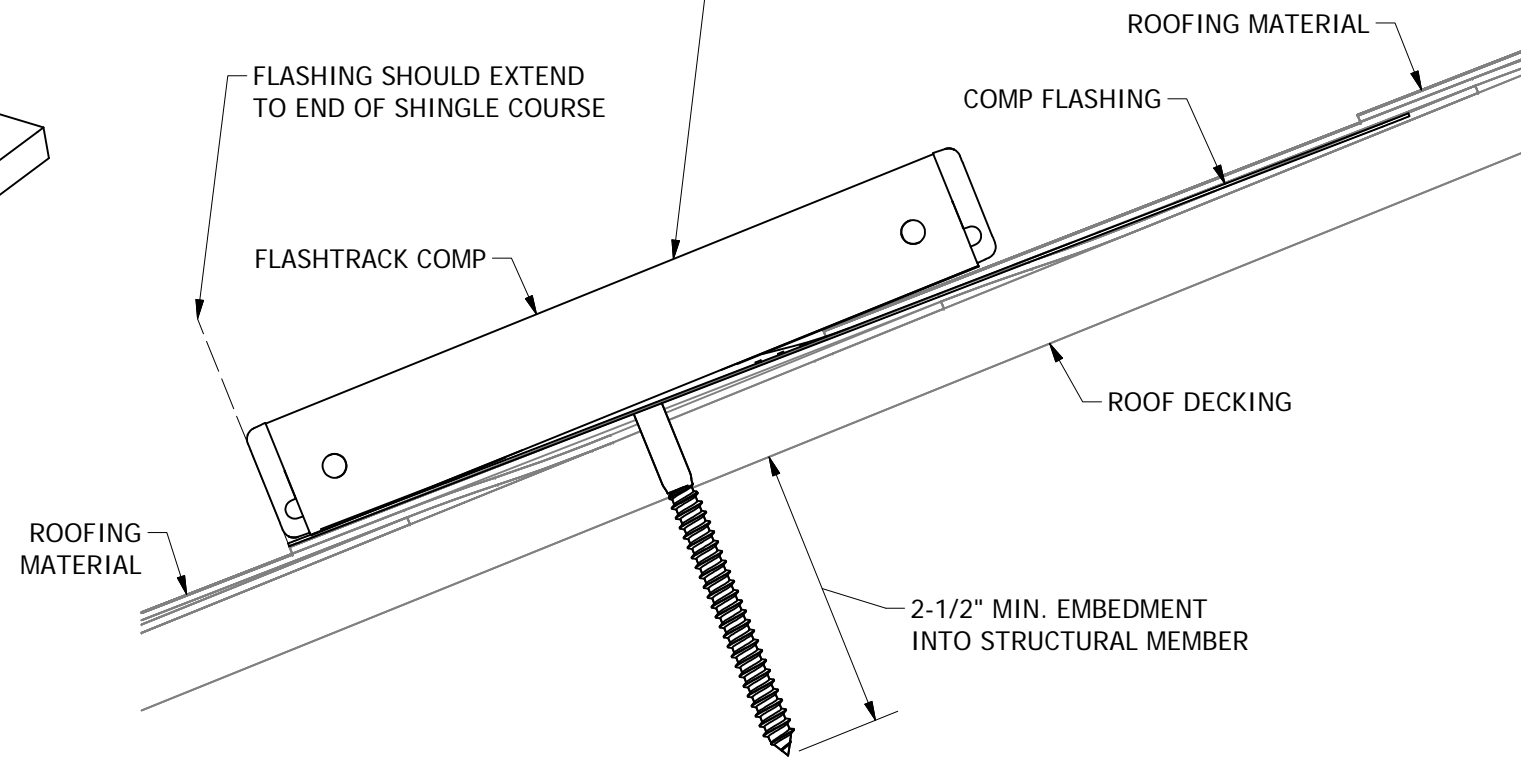
COMPLETED INSTALLATION SECTION VIEW

DETAIL A

COMP FLASHING SLIP FLASHING UNDER SHINGLE ABOVE



FLASH TRACK SHOULD BE ORIENTED NO MORE THAN 3 DEGREES FROM PARALLEL TO RAFTER



COMPLETED INSTALLATION