

DESCRIPTION:  
**SNAPNRACK, B MOUNT**

PART NUMBER(S):  
**242-92432, 242-92435, 242-92438, 242-92440**

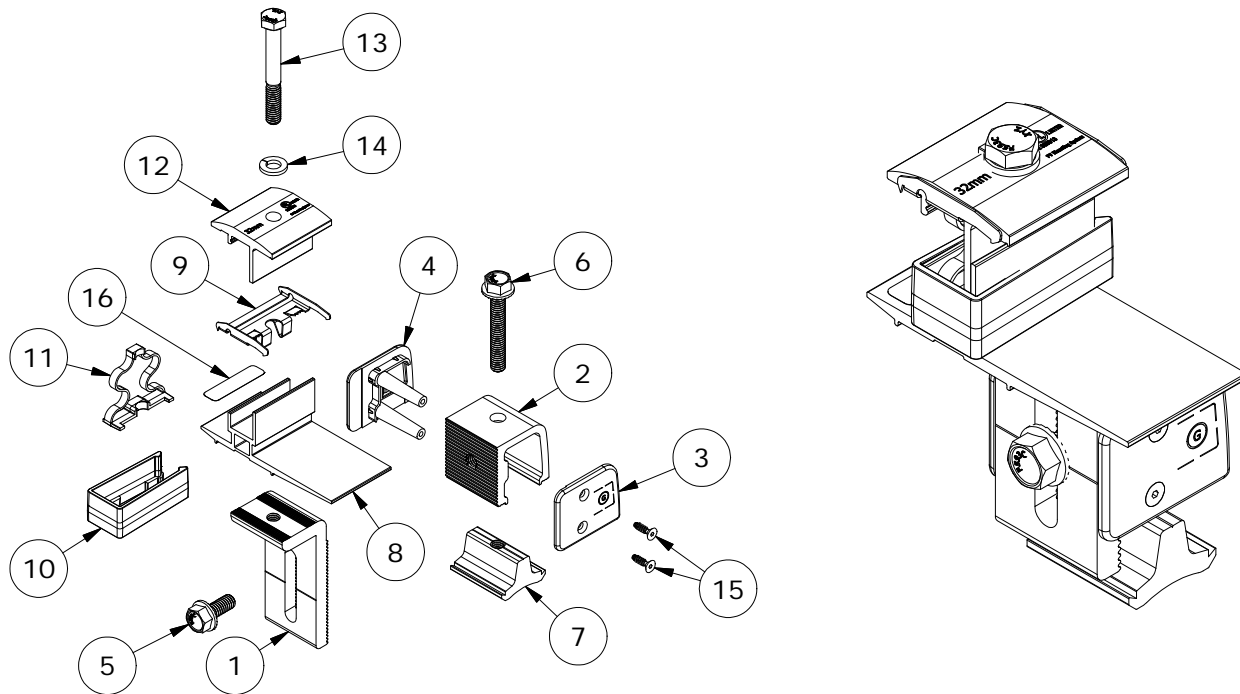
DRAWN BY:  
 mwatkins

REVISION:  
**A**

**SnapNrack™**  
 Solar Mounting Solutions

595 MARKET STREET, 29TH FLOOR • SAN FRANCISCO, CA 94105 USA  
 PHONE (415) 580-6900 • FAX (415) 580-6902

THE INFORMATION IN THIS DRAWING IS CONFIDENTIAL AND PROPRIETARY. ANY REPRODUCTION, DISCLOSURE, OR USE THEREOF IS PROHIBITED WITHOUT THE WRITTEN CONSENT OF SUNRUN SOUTH LLC.



| PARTS LIST |     |                                                                             |
|------------|-----|-----------------------------------------------------------------------------|
| ITEM       | QTY | DESCRIPTION                                                                 |
| 1          | 1   | SNAPNRACK, D TOWER LEVELER                                                  |
| 2          | 1   | SNAPNRACK, D TOWER PRC                                                      |
| 3          | 1   | SNAPNRACK, D TOWER END CAP A                                                |
| 4          | 1   | SNAPNRACK, D TOWER END CAP B                                                |
| 5          | 1   | BOLT, FLANGE, SERRATED, 5/16IN-18 X 3/4IN, BLACK, SS                        |
| 6          | 1   | BOLT, FLANGE, SERRATED, 5/16IN-18 X 2IN, BLACK, SS                          |
| 7          | 1   | SNAPNRACK, DROP IN/ROCK IN CHANNEL NUT                                      |
| 8          | 1   | SNAPNRACK, B MOUNT PRC, TYPE 2, BLACK                                       |
| 9          | 1   | SNAPNRACK, B MOUNT BONDING CLIP                                             |
| 10         | 1   | SNAPNRACK, B MOUNT LINK SPACER, PLASTIC                                     |
| 11         | 1   | SNAPNRACK, B MOUNT SPRING, PLASTIC                                          |
| 12         | 1   | SNAPNRACK, B MOUNT TOP, BLACK                                               |
| 13         | 1   | 5/16IN-18 X 2-1/2IN SS HCS BOLT BLACK                                       |
| 14         | 1   | 5/16IN SS SPLIT LOCK WASHER BLACK                                           |
| 15         | 2   | SCREW, THREAD CUTTING, #6 X 1/2IN, FLAT HEAD, INTERNAL HEX DRIVE, BLACK, SS |
| 16         | 1   | SNAPNRACK, STICKER, B MOUNT                                                 |

|                       |                                                      |              |
|-----------------------|------------------------------------------------------|--------------|
| MATERIALS:            | 6000 SERIES ALUMINUM, STAINLESS STEEL, POLYCARBONATE | OPTIONS:     |
| DESIGN LOAD (LBS):    | 612 UP, 744 DOWN, 507 SIDE (LANDSCAPE)               | 32 MM FRAMES |
| ULTIMATE LOAD (LBS):  | N/A                                                  | 35 MM FRAMES |
| TORQUE SPECIFICATION: | 12 LB-FT                                             | 38 MM FRAMES |
| CERTIFICATION:        | UL 2703, FILE E359313                                | 40 MM FRAMES |
| WEIGHT (LBS):         | 0.80-0.81                                            |              |

DESCRIPTION:

SNAPNRACK, B MOUNT

DRAWN BY:

mwatkins

REVISION:

A

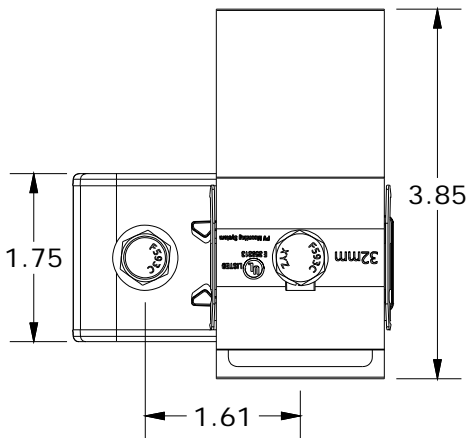
SnapNrack™  
Solar Mounting Solutions

PART NUMBER(S):

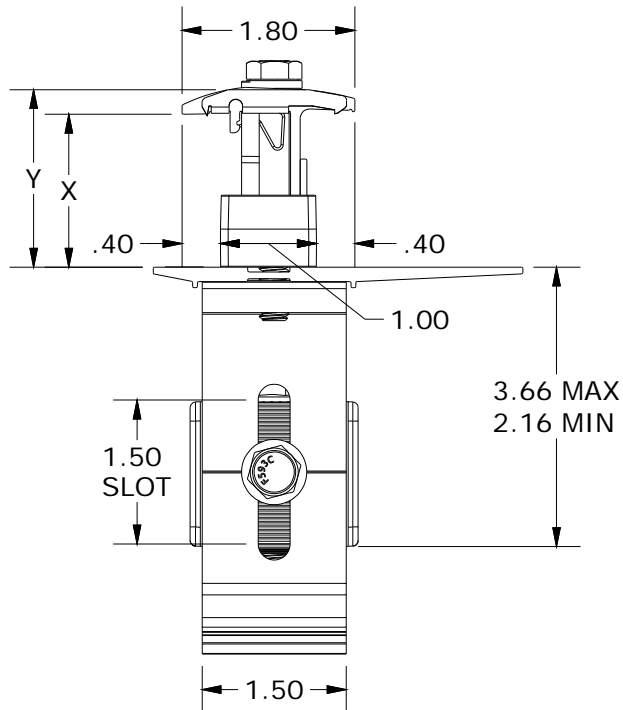
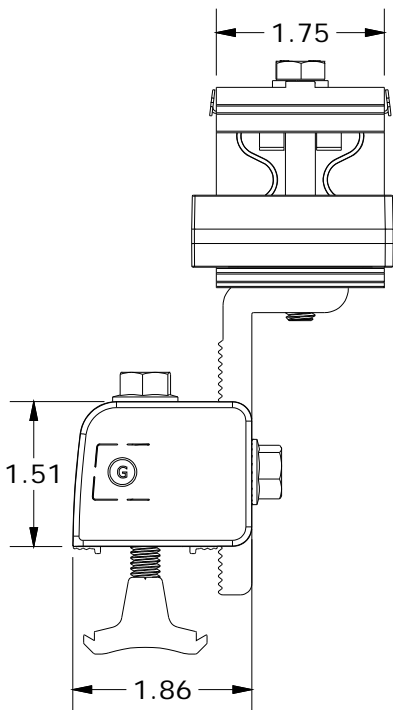
242-92432, 242-92435, 242-92438, 242-92440

595 MARKET STREET, 29TH FLOOR • SAN FRANCISCO, CA 94105 USA  
PHONE (415) 580-6900 • FAX (415) 580-6902

THE INFORMATION IN THIS DRAWING IS CONFIDENTIAL AND PROPRIETARY. ANY REPRODUCTION, DISCLOSURE, OR USE THEREOF IS PROHIBITED WITHOUT THE WRITTEN CONSENT OF SUNRUN SOUTH LLC.



| B MOUNT PROPERTIES |              |      |      |
|--------------------|--------------|------|------|
| SKU                | MODULE FRAME | X    | Y    |
| 242-92432          | 32 MM        | 1.26 | 1.52 |
| 242-92435          | 35 MM        | 1.38 | 1.63 |
| 242-92438          | 38 MM        | 1.50 | 1.75 |
| 242-92440          | 40 MM        | 1.57 | 1.83 |



ALL DIMENSIONS IN INCHES