

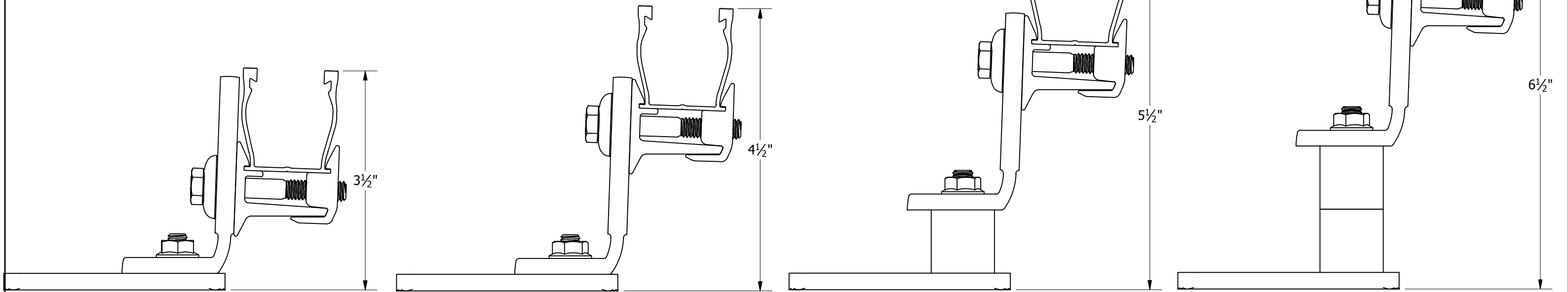
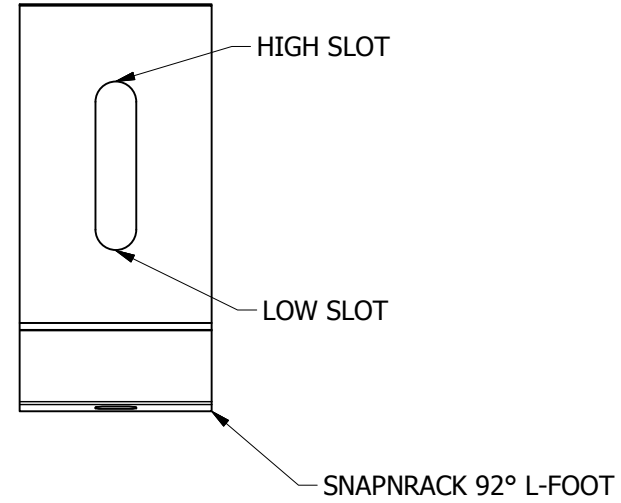
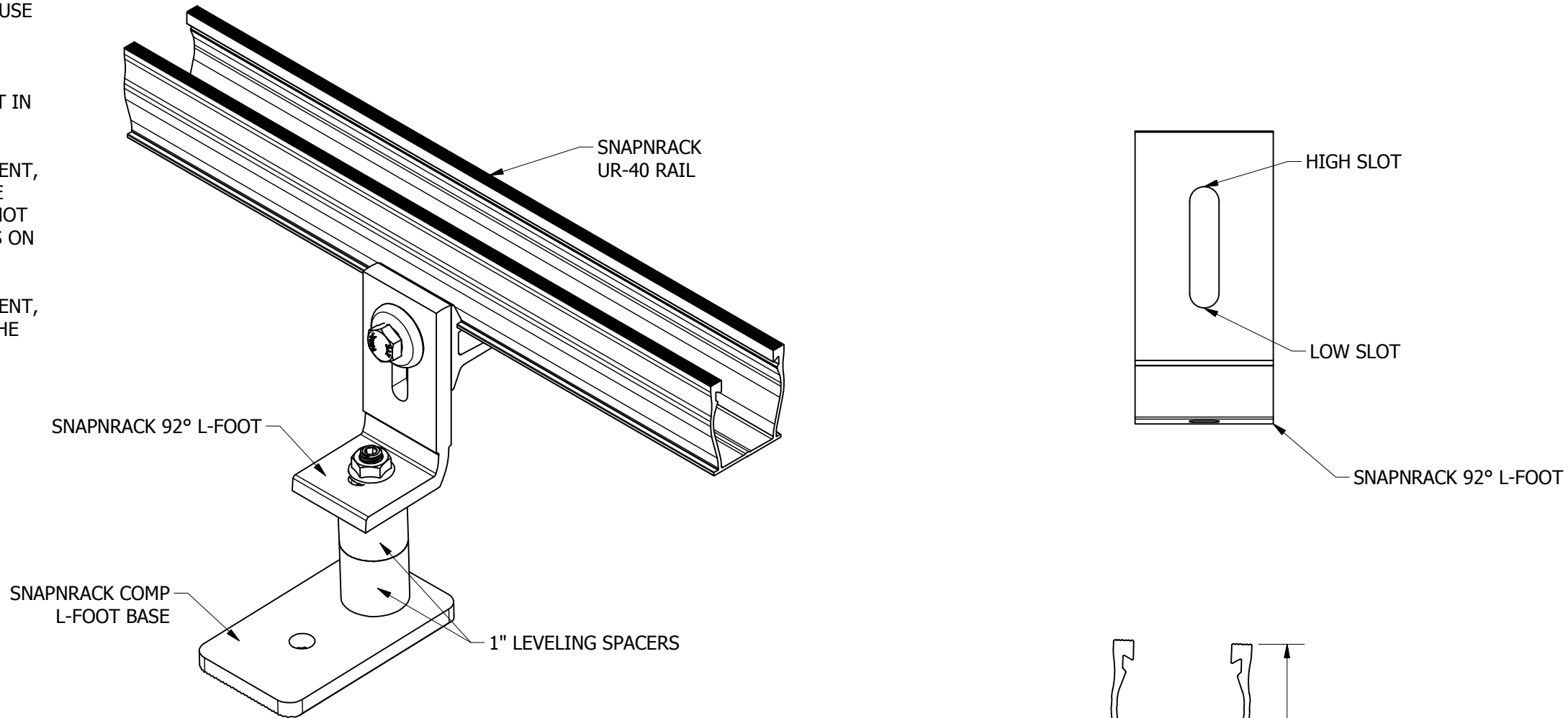
STANDARD UR-40 ATTACHMENTS FEATURE 3" OF VERTICAL ADJUSTABILITY WITH THE USE OF 1" LEVELING SPACERS.

THE FIRST INCH OF ADJUSTABILITY IS ACCOMPLISHED WITH THE VERTICAL SLOT IN THE L-FOOT.

FOR 1" OF ADDITIONAL HEIGHT ADJUSTMENT, ADD ONE LEVELING SPACER BENEATH THE L-FOOT. USE OF ONE LEVELING SPACER NOT TO EXCEED 30% OF ATTACHMENT POINTS ON L-FEET.

FOR 2" OF ADDITIONAL HEIGHT ADJUSTMENT, ADD TWO LEVELING SPACERS BENEATH THE L-FOOT. USE OF TWO LEVELING SPACERS NOT TO EXCEED 10% OF ATTACHMENT POINTS ON L-FEET.

REVISION:		
A	11/30/2017	NEW DETAIL MA



RAIL HEIGHT = 3 1/2"
ABOVE ROOF SURFACE
QTY. 1 L-FOOT, LOW SLOT

RAIL HEIGHT = 4 1/2"
ABOVE ROOF SURFACE
QTY. 1 L-FOOT, HIGH SLOT

RAIL HEIGHT = 5 1/2"
ABOVE ROOF SURFACE
QTY. 1 L-FOOT, HIGH SLOT
QTY. 1 SPACER

RAIL HEIGHT = 6 1/2"
ABOVE ROOF SURFACE
QTY. 1 L-FOOT, HIGH SLOT
QTY. 2 SPACERS



Sunrun South LLC
595 MARKET STREET, 29TH FLOOR • SAN FRANCISCO, CA 94105 USA
PHONE (415) 580-6900 • FAX (415) 580-6902
THE INFORMATION IN THIS DRAWING IS CONFIDENTIAL AND PROPRIETARY. ANY REPRODUCTION, DISCLOSURE, OR USE THEREOF IS PROHIBITED WITHOUT THE WRITTEN CONSENT OF SUNRUN SOUTH LLC.

DESIGNER: G.McPheeters
DRAFTER: M.Affentranger
APPROVED BY: G.McPheeters

SCALE: DNS
DATE: 11/30/2017

PART NUMBER:
UR40-D08

DESCRIPTION:
UR-40 LEVELING WITH SPACERS, L-FOET

REV
A