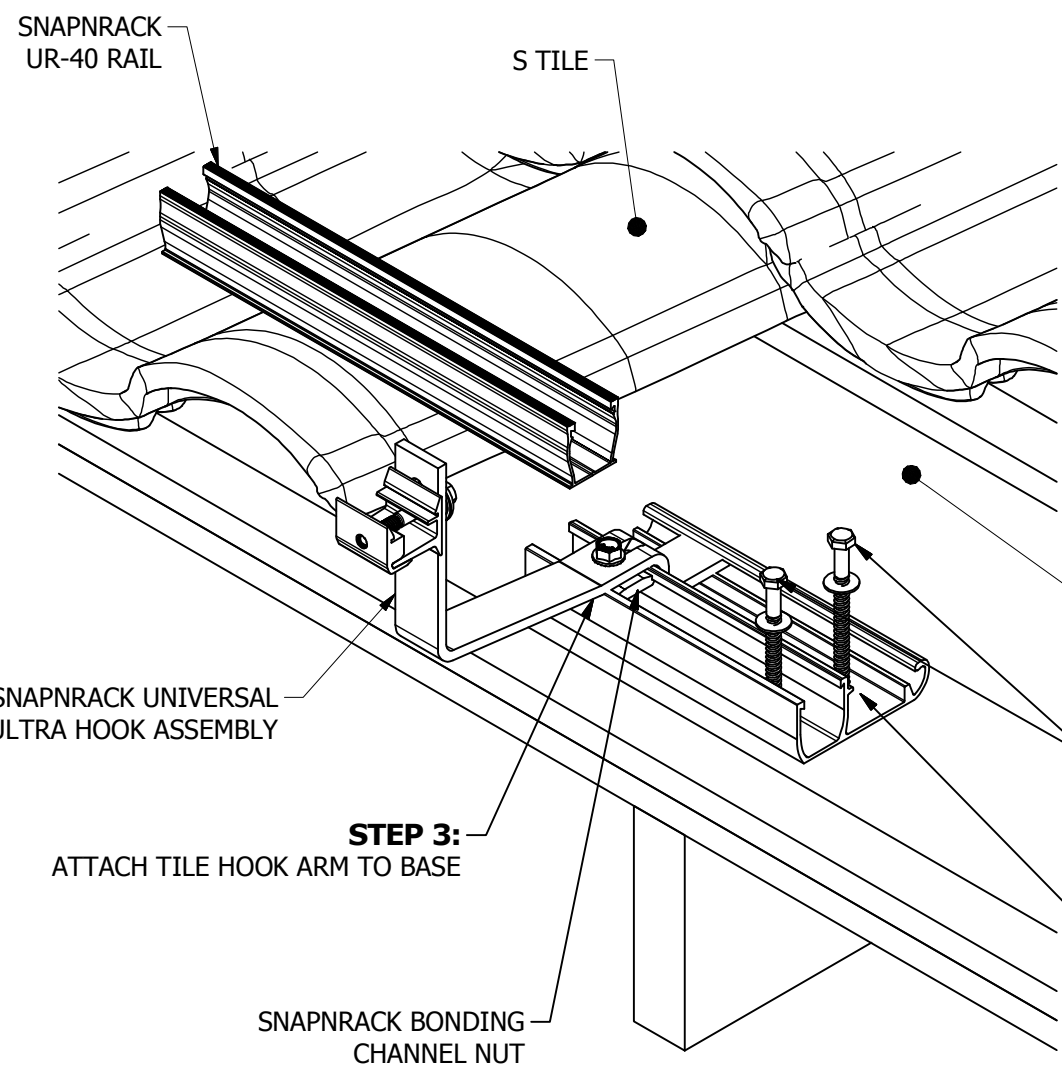
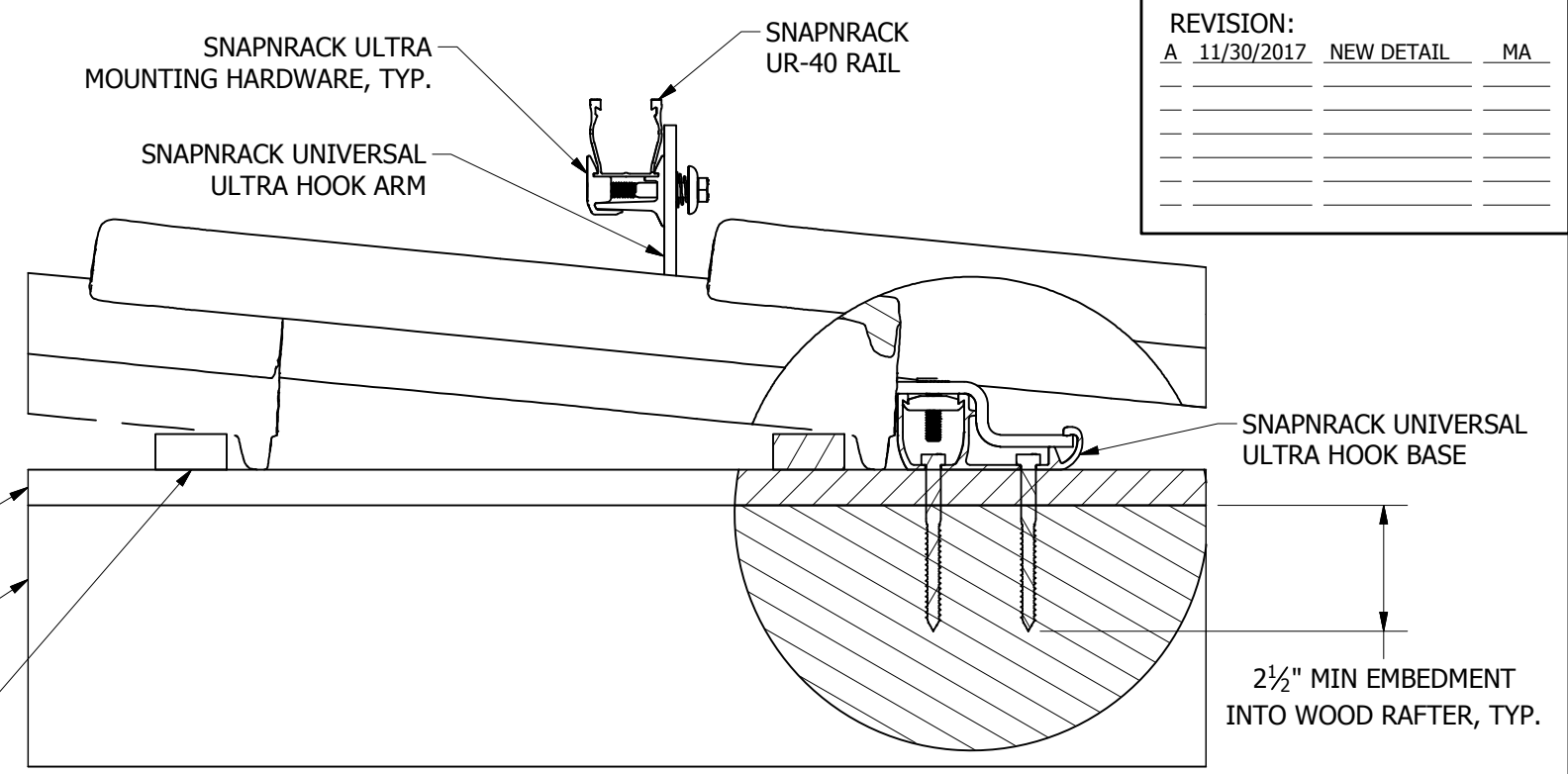


REVISION:	A	11/30/2017	NEW DETAIL	MA



ROOF DECKING, TYP.  
 STRUCTURAL MEMBER, RAFTER TYP.  
 TILE BATTEN, TYP.



**STEP 1:**  
 REMOVE TILES TO EXPOSE ROOF DECKING

(2X) 5/16"Ø LAG SCREWS WITH FLAT WASHERS

**STEP 2:**  
 DRILL TWO 3/16"Ø PILOT HOLES INTO RAFTER. SEAL ROOF PENETRATIONS WITH APPROPRIATE SELANT. FASTEN BASE TO ROOF WITH QTY. (2) 5/16"Ø LAG SCREWS WITH FLAT WASHERS.

**STEP 3:**  
 ATTACH TILE HOOK ARM TO BASE

