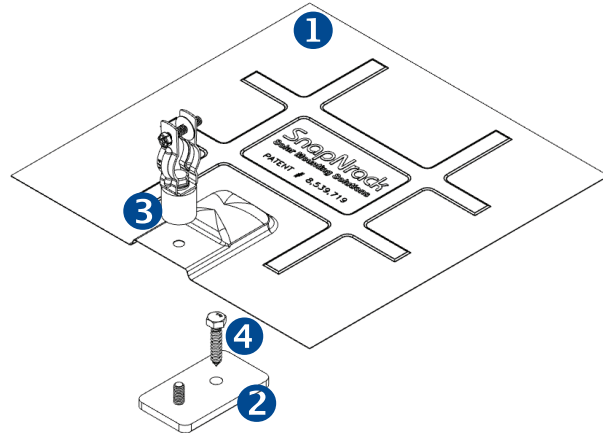


# Comp Conduit Support Installation Manual

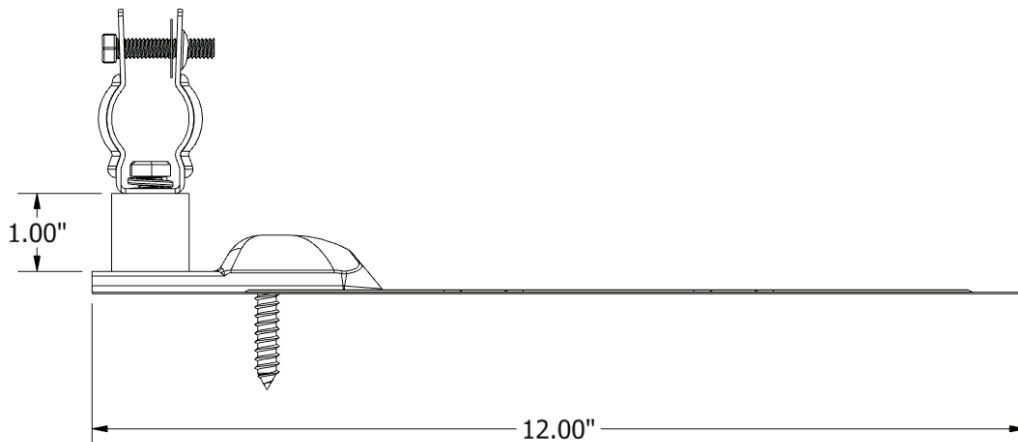
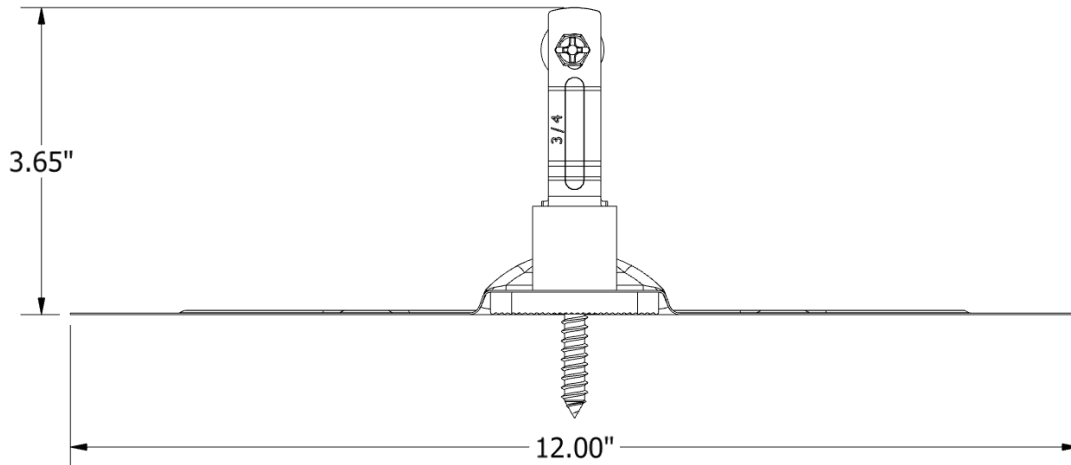
Part No. 242-02106

## Materials Included

- 1 SnapNrack Comp Flashing
- 2 SnapNrack L Foot Base
- 3 3/4" EMT Conduit Support Standoff
- 4 5/16" x 1-1/2" SS Lag Screw



Technical Specifications	
Dimensions	1-3/4" Above Roof Surface (to bottom of conduit)
Material	Flashing: Galvanized Steel L Foot Base: 6000 Series Aluminum, Stainless Steel Hardware 1" Spacer: 6000 Series Aluminum Conduit Strap: Zinc-Plated Steel Lag Screw: Stainless Steel
Compatibility	3/4" EMT Conduit, Composition Shingle Roofs



## Required Tools

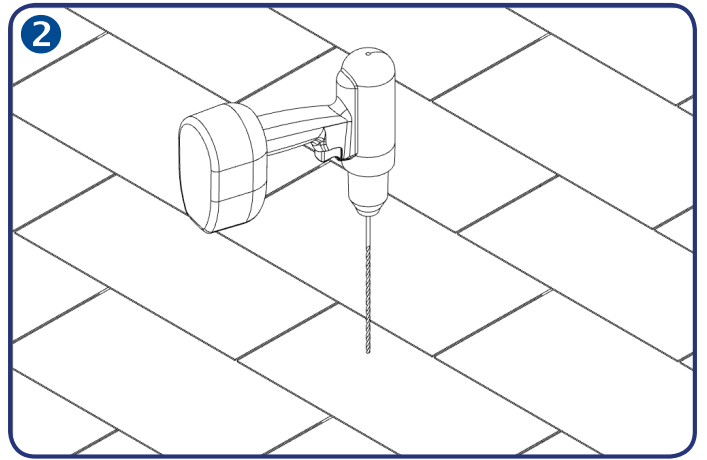
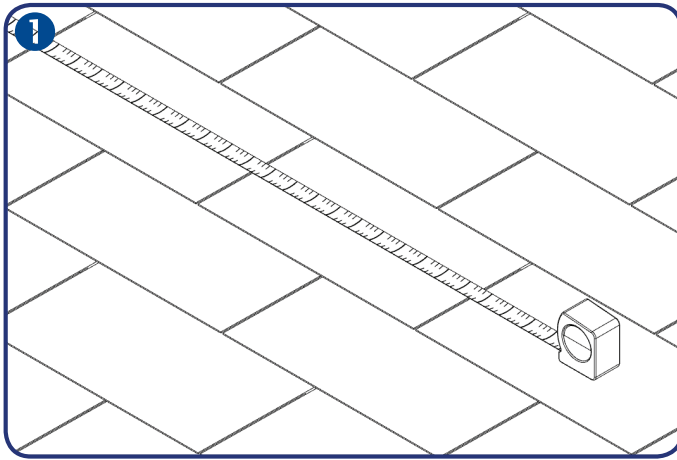
- Socket Wrench
- 1/2" Socket
- Phillips Head Screwdriver or 3/8" Socket
- Tape Measure

## Step-by-Step Instructions

1. Determine location of conduit supports based on conduit run and mark roof surface if desired.

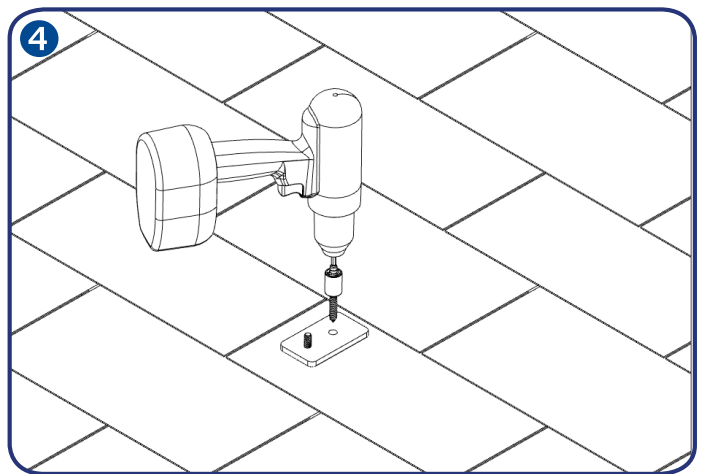
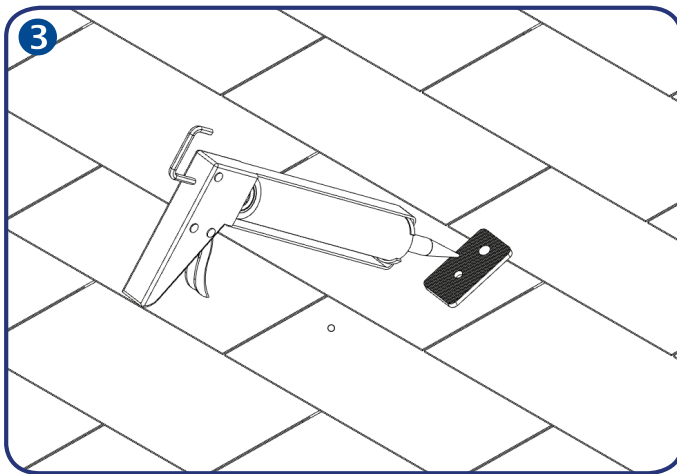
**Design Note: Conduit support locations shall meet the requirements of NEC Article 358, and should not exceed 10' between supports or 3' from enclosures.**

2. Drill a pilot hole through the roofing material into the roof deck.



3. Apply roofing sealant to the bottom of the base and directly onto the lag screw to ensure a water tight seal.

4. Attach the L Foot Base with provided 5/16" lag screw and drive into the roof decking.



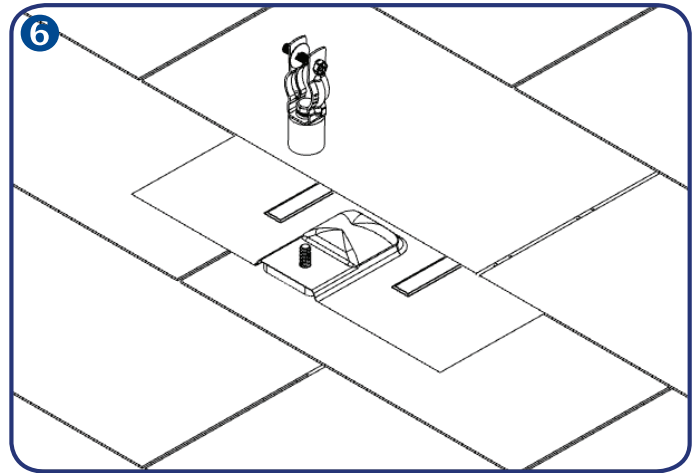
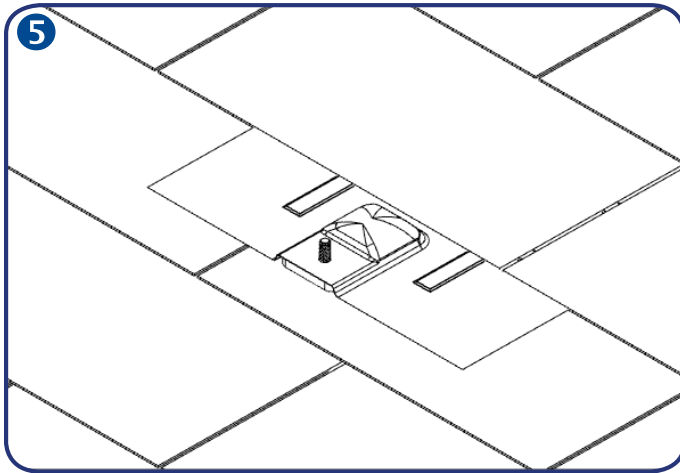
## Step-by-Step Instructions

5. Pry up shingles with a breaker bar and install flashing underneath shingle course above installed base, position flashing so base stud extends through hole in bottom edge of flashing.

**Install Note: Ensure flashing extends minimum (2) courses above base, and does not overhang bottom edge of shingle course.**

**Apply a horseshoe of sealant under flashing to direct water away from penetration.**

6. Install conduit support by threading it onto base stud, and tighten until snug and oriented in the appropriate direction for conduit run.



7. Drop conduit into the support strap and tighten hardware until conduit is secure.

