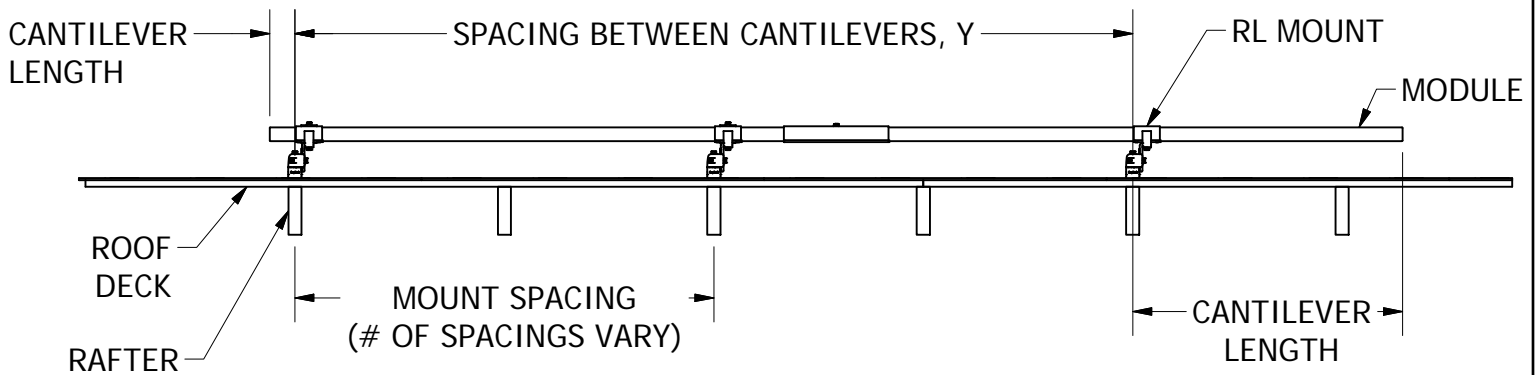


MAXIMUM CANTILEVER (NTS) IS PERMITTED TO BE L/3 WHERE L IS THE CORRESPONDING MAXIMUM SPACING NOTED IN THE TABLE(S) SO LONG AS THE SPACING BETWEEN CANTILEVERS (Y) IS GREATER THAN OR EQUAL TO (1) PANEL LENGTH. PANEL LENGTH IS DEFINED AS THE MODULE DIMENSION PARALLEL TO THE EAVE.

IN ALL OTHER CASES, THE MAXIMUM CANTILEVER LENGTH IS LIMITED TO 1/3 OF THE MOUNT SPACING.



ASSEMBLER:

INSPECTOR:

DESCRIPTION:

RL ALLOWABLE CANTILEVER

DRAWN BY: E.Figurski

APPROVED BY: G.McPheeters

REVISION:

A 6/20/2017 NEW

SnapNrack™
Solar Mounting Solutions

Sunrun South LLC

595 MARKET STREET, 29TH FLOOR • SAN FRANCISCO, CA 94105 USA
PHONE (415) 580-6900 • FAX (415) 580-6902

PART NUMBER:

SCALE:

DNS

THE INFORMATION IN THIS DRAWING IS CONFIDENTIAL AND PROPRIETARY. ANY REPRODUCTION, DISCLOSURE, OR USE THEREOF IS PROHIBITED WITHOUT THE WRITTEN CONSENT OF SUNRUN SOUTH LLC.