

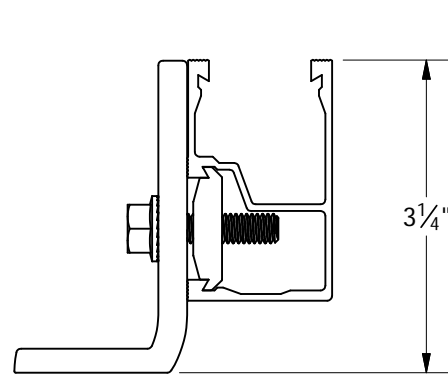
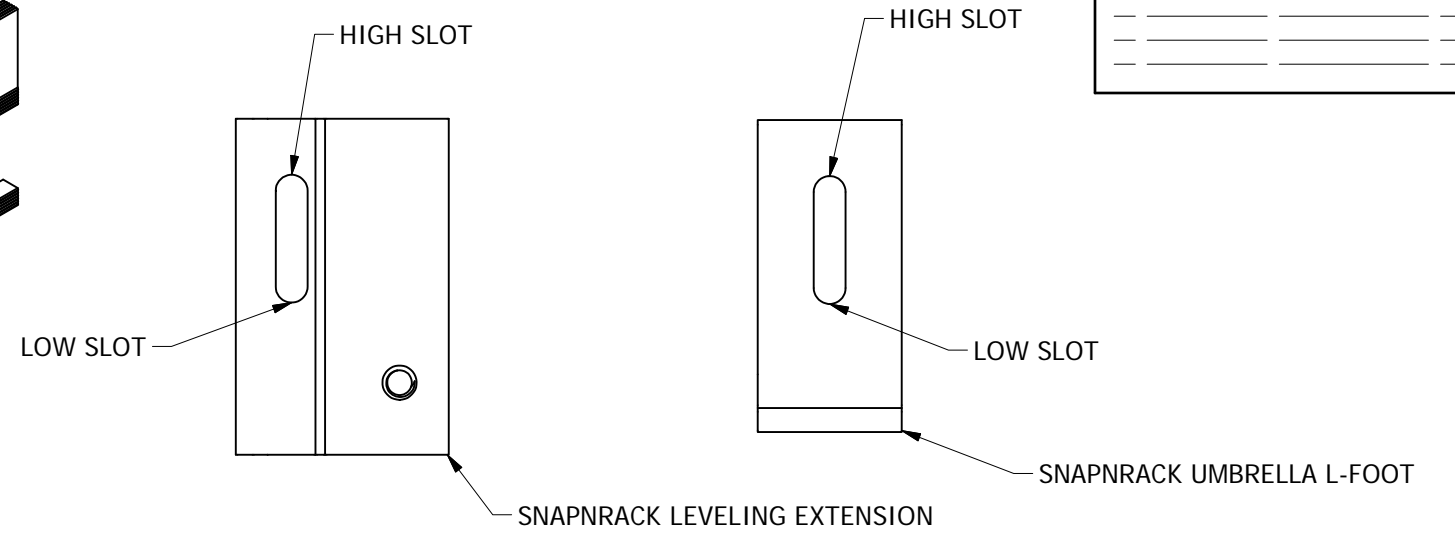
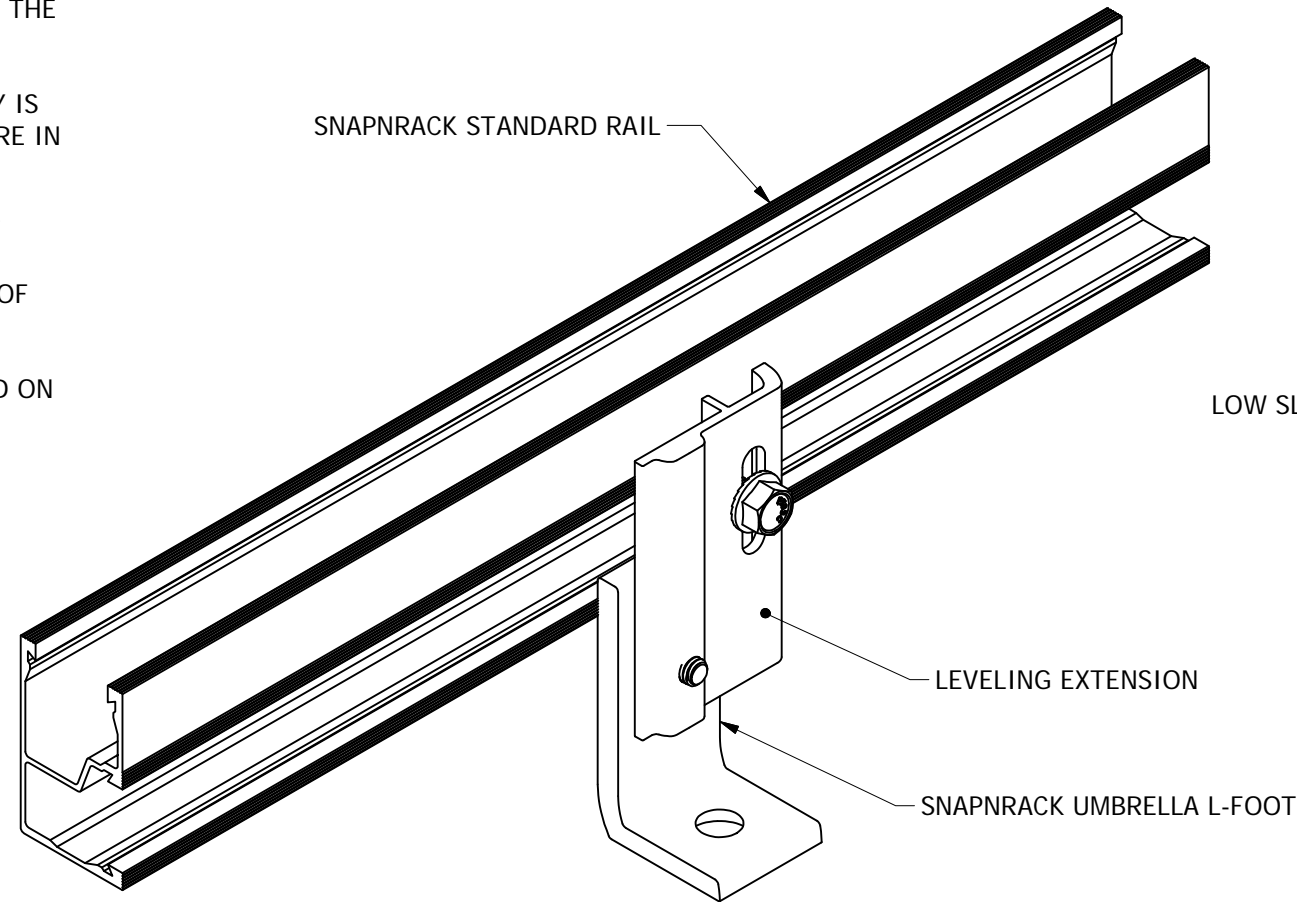
STANDARD SERIES 100 ATTACHMENTS  
 FEATURE 3" OF VERTICAL ADJUSTABILITY  
 ON ALL MOUNTS WITH THE USE OF THE  
 LEVELING EXTENSION.

THE FIRST INCH OF ADJUSTABILITY IS  
 ACCOMPLISHED WITH SLOT FEATURE IN  
 L-FOOT.

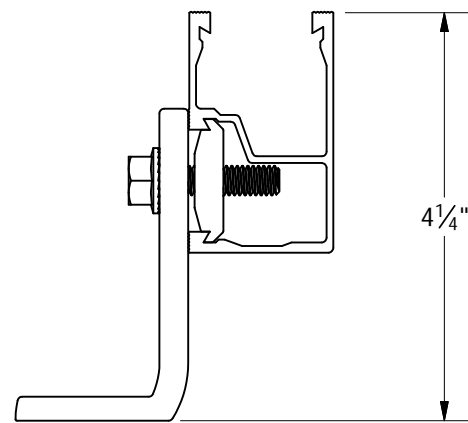
FOR AN ADDITIONAL 2" OF HEIGHT  
 ADJUSTMENT, ADD THE LEVELING  
 EXTENSION. NOT TO EXCEED 30% OF  
 ATTACHMENT POINTS ON L-FEET.

LEVELING EXTENSION MAY BE USED ON  
 ANY SERIES 100 L-FOOT.

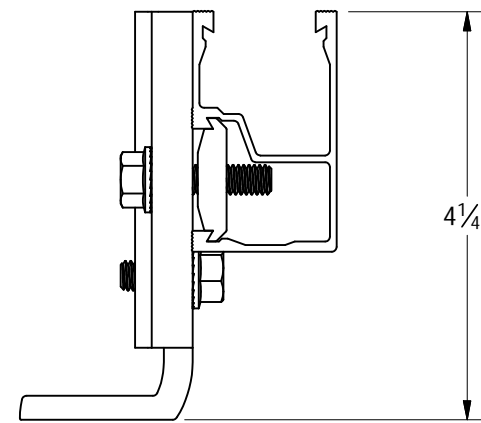
REVISION:		
A	11/28/2017	NEW ITEM



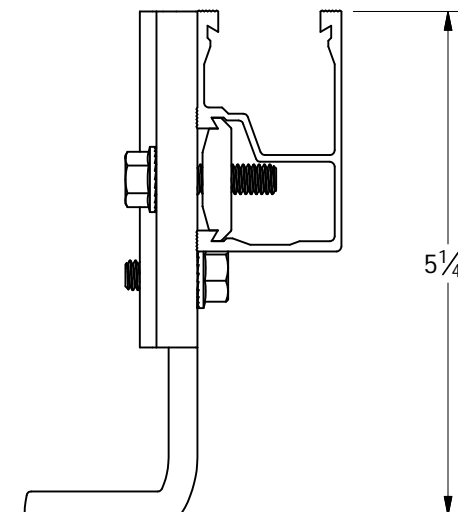
RAIL HEIGHT = 3 1/4"  
 ABOVE ROOF SURFACE  
 QTY. 1 L-FOOT, LOW SLOT



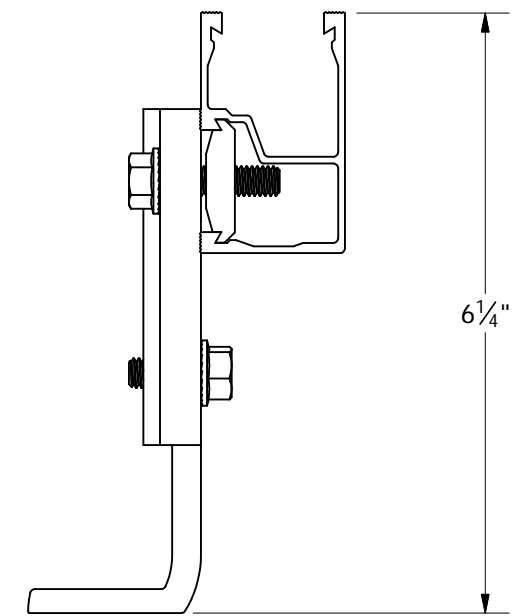
RAIL HEIGHT = 4 1/4"  
 ABOVE ROOF SURFACE  
 QTY. 1 L-FOOT, HIGH SLOT



RAIL HEIGHT = 4 1/4"  
 ABOVE ROOF SURFACE  
 QTY. 1 L-FOOT, LOW SLOT  
 QTY. 1 EXTENSION, LOW SLOT



RAIL HEIGHT = 5 1/4"  
 ABOVE ROOF SURFACE  
 QTY. 1 L-FOOT, HIGH SLOT  
 QTY. 1 EXTENSION, LOW SLOT



RAIL HEIGHT = 6 1/4"  
 ABOVE ROOF SURFACE  
 QTY. 1 L-FOOT, HIGH SLOT  
 QTY. 1 EXTENSION, HIGH SLOT