

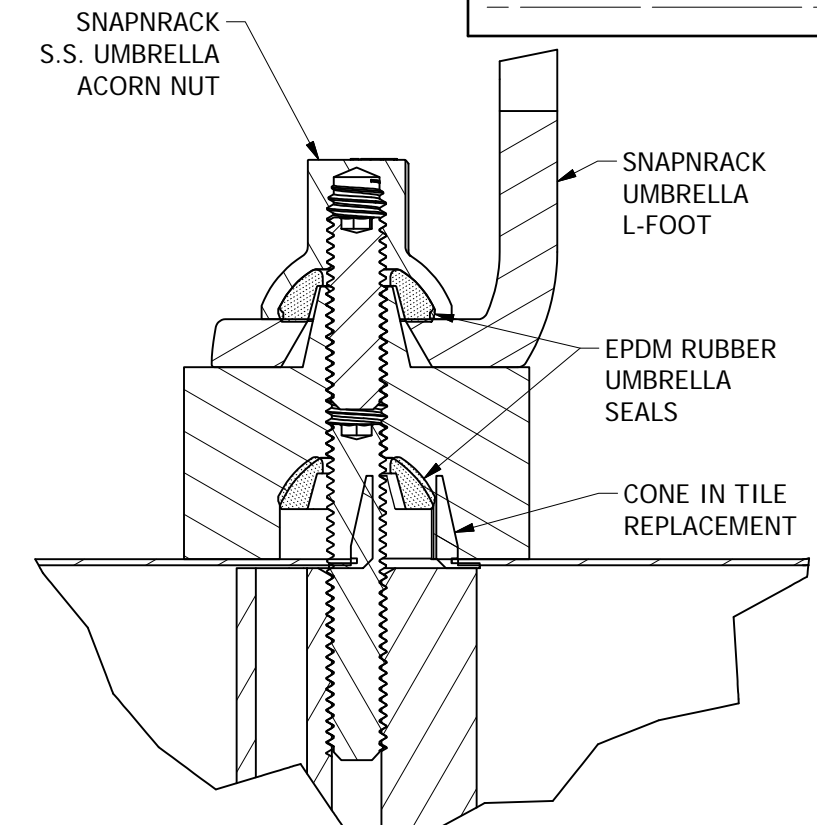
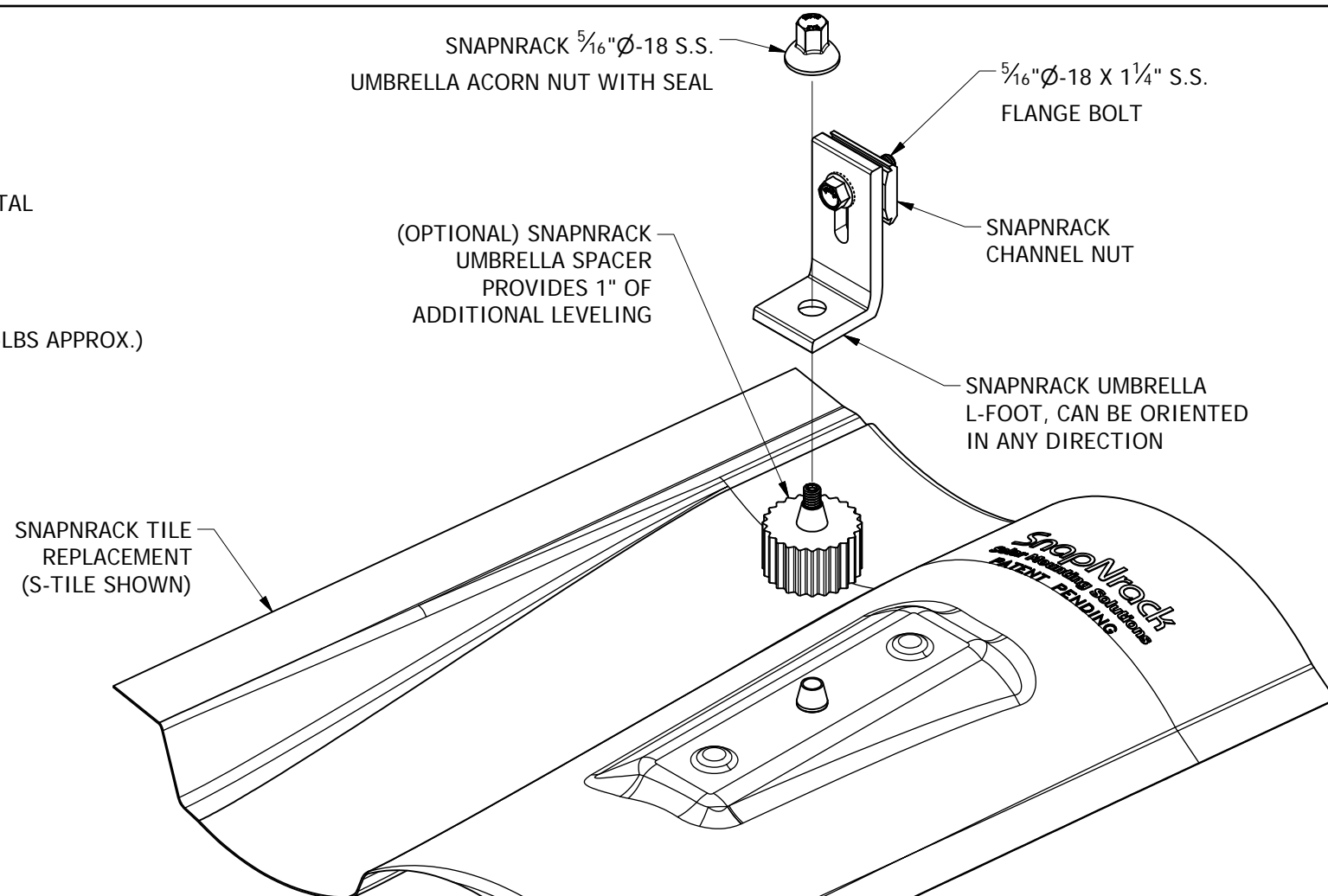
S100 TILE REPLACEMENT OVERVIEW

LEVELING CAPABILITY:
1", 2" WITH OPTIONAL SPACER

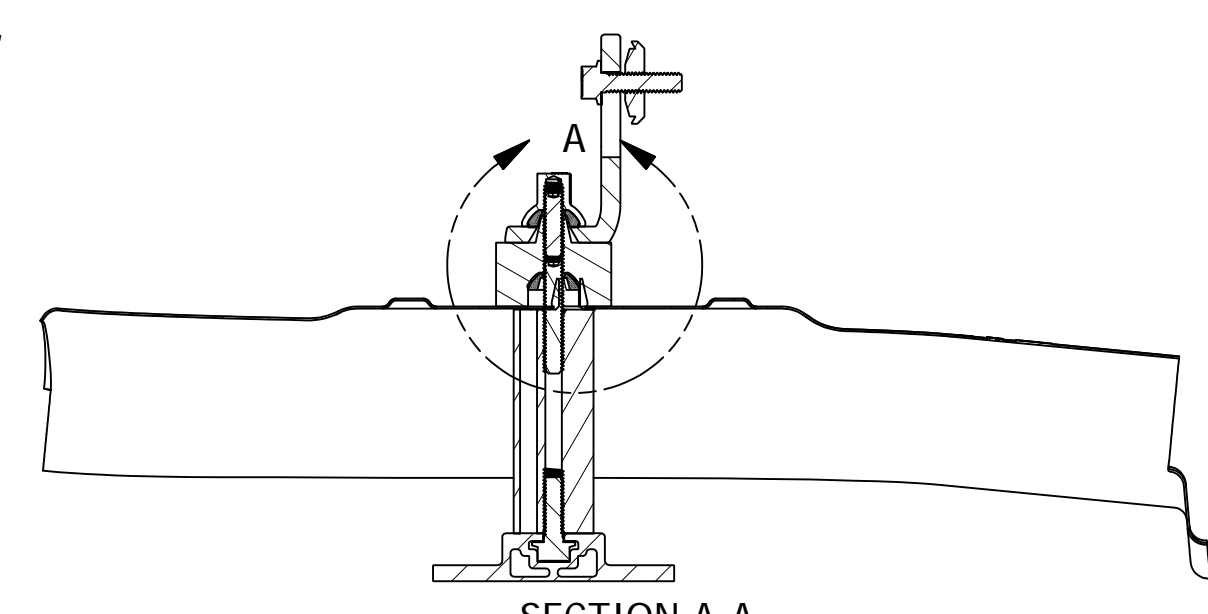
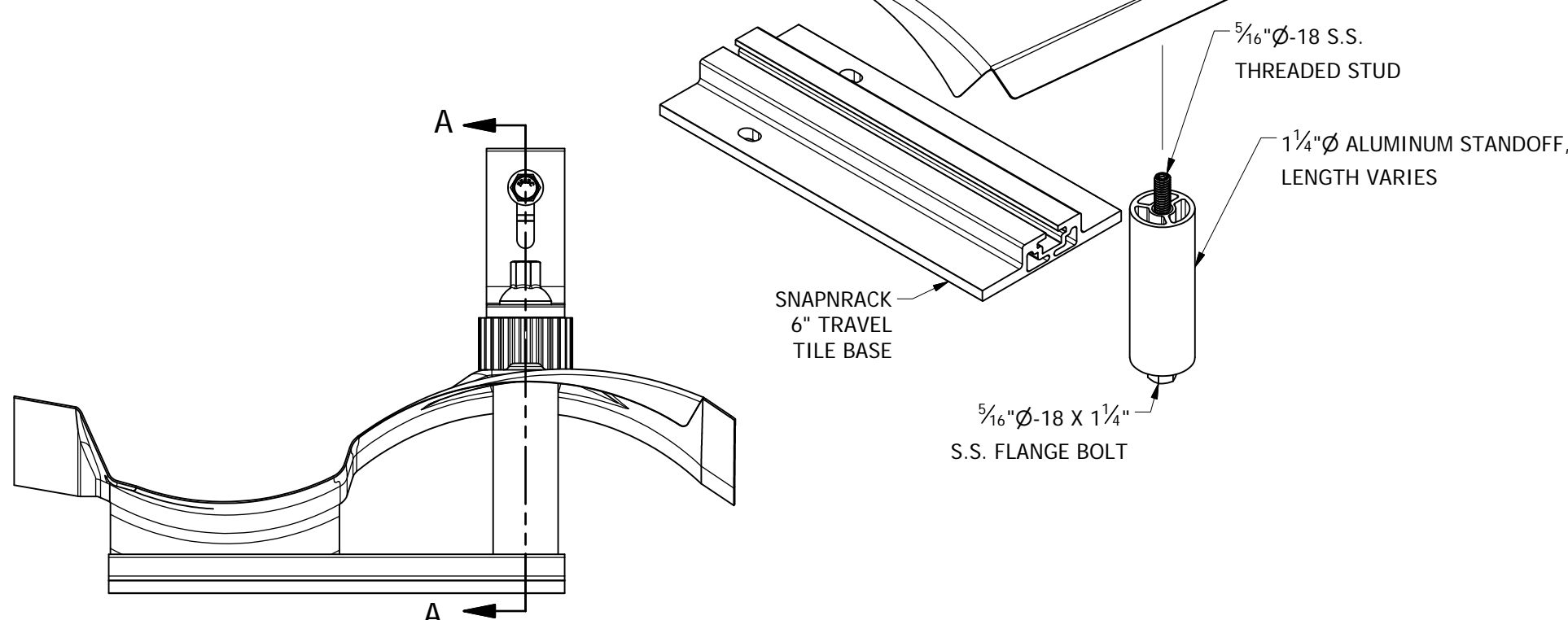
SIDE TO SIDE ADJUSTABILITY:
6" OFFSET FROM LAG PER SIDE, 12" TOTAL

TORQUE SPECIFICATIONS:
RAIL ATTACHMENT BOLT: 10-16 FT-LBS
UMBRELLA ACORN NUT: 10-16 FT-LBS
STANDOFF TO BASE: HAND TIGHT (5FT-LBS APPROX.)

REVISION:		
A	11/28/2017	NEW ITEM DR



DETAIL A



SECTION A-A



Sunrun South LLC
595 MARKET STREET, 29TH FLOOR • SAN FRANCISCO, CA 94105 USA
PHONE (415) 580-6900 • FAX (415) 580-6902
THE INFORMATION IN THIS DRAWING IS CONFIDENTIAL AND PROPRIETARY. ANY REPRODUCTION, DISCLOSURE, OR USE THEREOF IS PROHIBITED WITHOUT THE WRITTEN CONSENT OF SUNRUN SOUTH LLC.

DESIGNER: D.Ryan
DRAFTER: D.Ryan
APPROVED BY: G.McPheeters

SCALE: DNS
DATE: 11/28/2017

PART NUMBER:
S100-D02

DESCRIPTION:
TILE REPLACEMENT OVERVIEW

REV
A