

SNAPNRACK SERIES 100 RACKING SYSTEM
SHOWN MOUNTED ON STANDOFFS WITH
TOP MOUNT END CLAMP

SYSTEM SHOWN WITH STANDOFF
MOUNTING COMPATIBLE WITH ALL ROOF
TYPES USE FLASHED L- FOOT FOR FASTER
INSTALLATION ON COMPOSITION SHINGLE
ROOFS

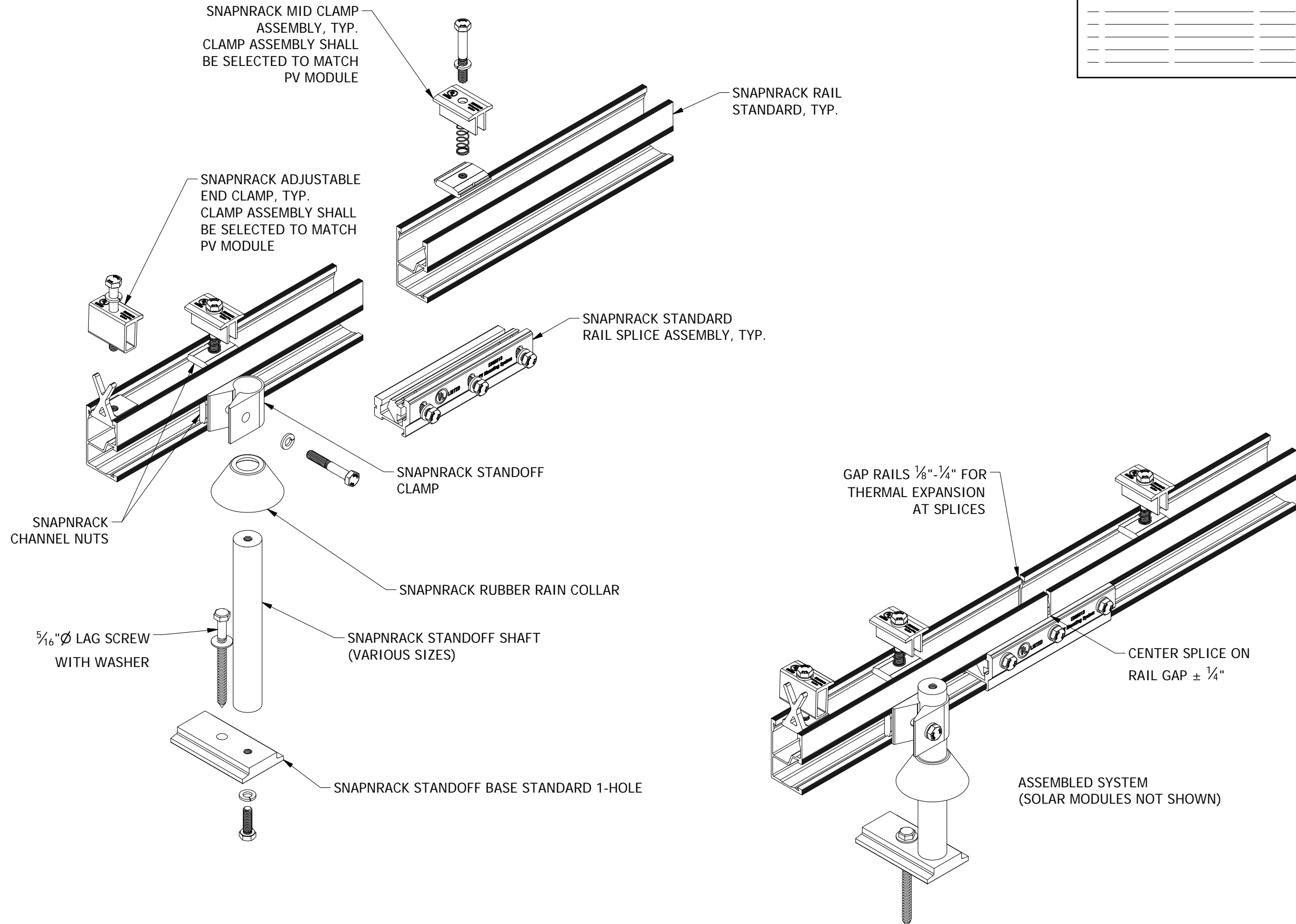
STANDARD LAG BOLT SPEC ASSUMES $\frac{5}{16}$ " \varnothing
LAG SCREW WITH 2 $\frac{1}{2}$ " EMBEDMENT IN ROOF
STRUCTURAL MEMBERS/RAFTERS

TORQUE ALL $\frac{5}{16}$ " \varnothing HARDWARE TO THE
FOLLOWING:
- SILVER S.S. 10-16 FT-LBS
- BLACK S.S. 7-9 FT-LBS

RAIL CAN MOUNT TO EITHER SIDE OF POST
(UPSLOPE vs. DOWNSLOPE)

FOR UNEVEN ROOF SURFACES, USE UP TO
TWO LEVELING SPACERS PER L FOOT OR
STANDOFF. SEE DRAWING "S100-D08
STANDARD RAIL LEVELING" FOR DETAILS
AND LIMITATIONS

REVISION:		
G	11/28/2017	UPDATES
DR		



Sunrun South LLC
595 MARKET STREET, 29TH FLOOR • SAN FRANCISCO, CA 94105 USA
PHONE (415) 580-6900 • FAX (415) 580-6902
THE INFORMATION IN THIS DRAWING IS CONFIDENTIAL AND PROPRIETARY. ANY REPRODUCTION, DISCLOSURE, OR USE THEREOF IS PROHIBITED WITHOUT THE WRITTEN CONSENT OF SUNRUN SOUTH LLC.

DESIGNER: G.McPheeters
DRAFTER: D.Ryan
APPROVED BY: G.McPheeters

SCALE: DNS
DATE: 11/28/2017

PART NUMBER:
S100-D06

DESCRIPTION:
SPLICE DETAIL

REV
G