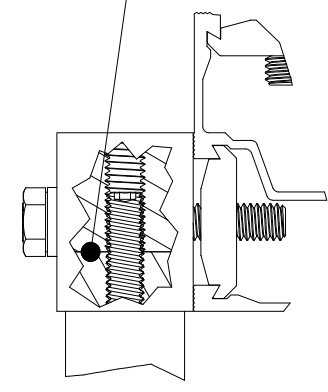
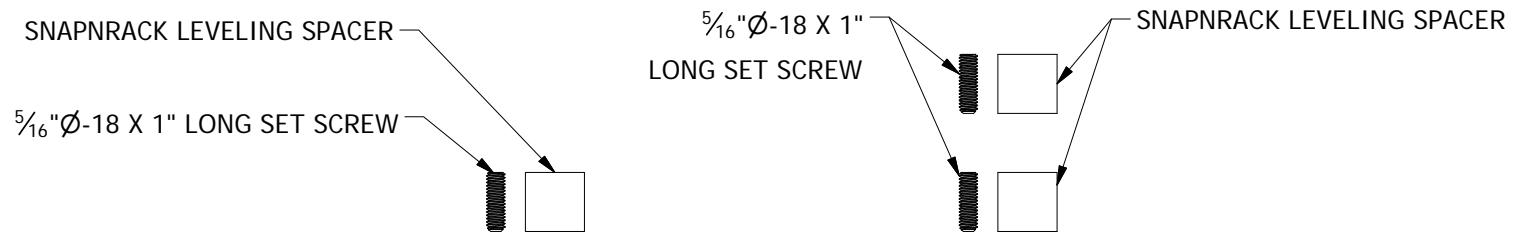
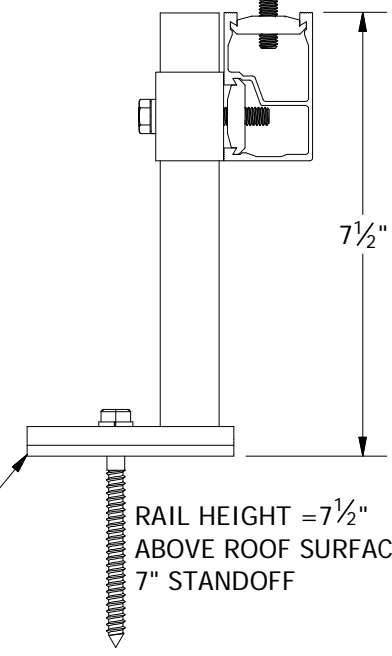


REVISION:		
F	11/30/2013	UPDATES
G	11/28/2017	DR
		ECF

ENSURE THAT THE SET SCREW IS CENTERED BETWEEN THE TWO PIECES BEING JOINED

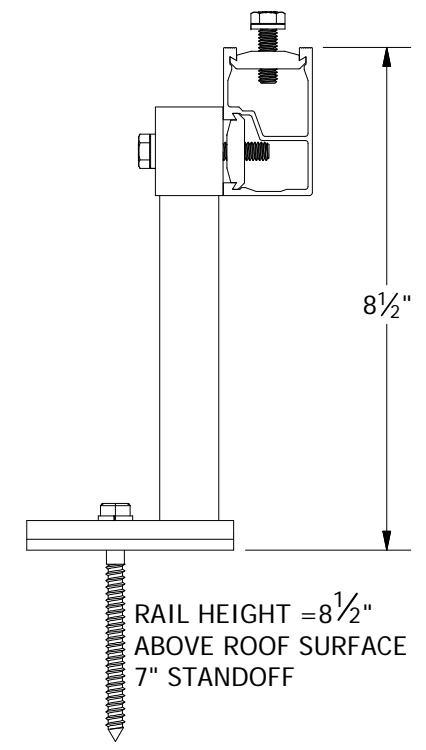


DETAIL A

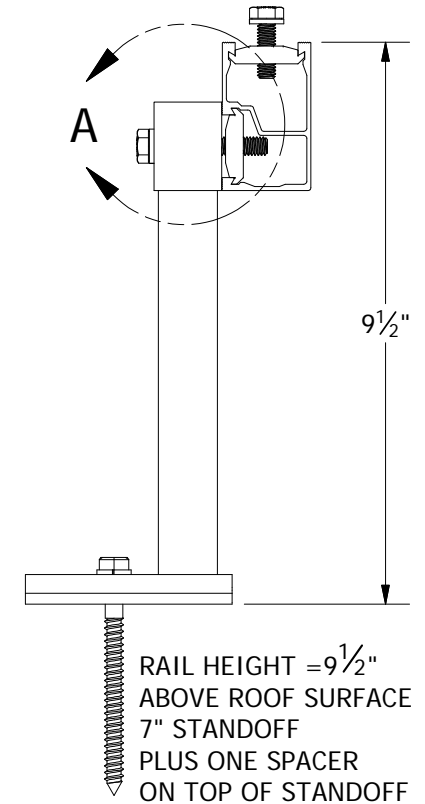


SNAPRACK 1-HOLE BASE, TYP.

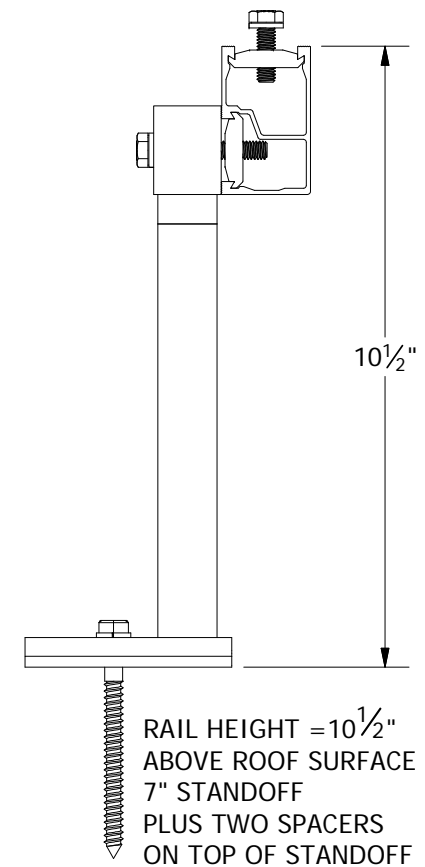
RAIL HEIGHT = 7 1/2" ABOVE ROOF SURFACE  
7" STANDOFF



RAIL HEIGHT = 8 1/2" ABOVE ROOF SURFACE  
7" STANDOFF



RAIL HEIGHT = 9 1/2" ABOVE ROOF SURFACE  
7" STANDOFF PLUS ONE SPACER ON TOP OF STANDOFF



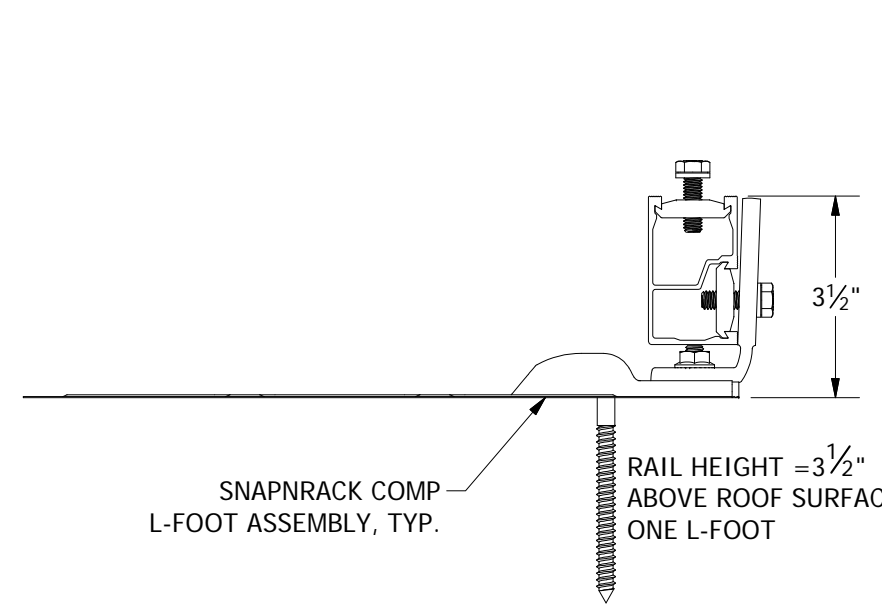
RAIL HEIGHT = 10 1/2" ABOVE ROOF SURFACE  
7" STANDOFF PLUS TWO SPACERS ON TOP OF STANDOFF

STANDARD SERIES 100 ATTACHMENTS FEATURE 3" OF VERTICAL ADJUSTABILITY ON ALL MOUNTING POINTS WITH THE USE OF 1" LEVELING SPACERS

THE FIRST INCH OF ADJUSTABILITY IS ACCOMPLISHED WITH SLIDING FEATURES BUILT INTO BOTH L-FOOT AND STANDOFF CLAMP COMPONENTS

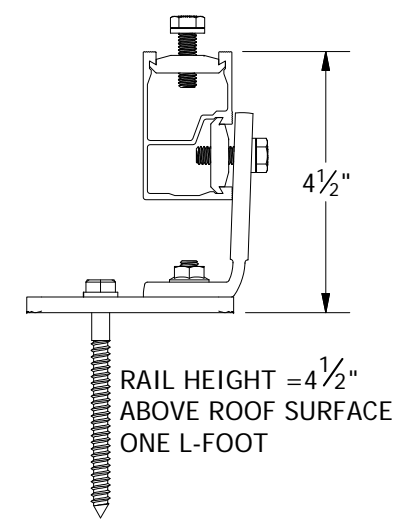
FOR AN ADDITIONAL INCH OF HEIGHT ADJUSTMENT, ADD ONE LEVELING SPACER. USE OF SINGLE LEVELING SPACER NOT TO EXCEED 30% OF ATTACHMENT POINTS ON L-FEET OR 10" STANDOFFS.

FOR A SECOND ADDITIONAL INCH OF HEIGHT ADJUSTMENT, ADD ANOTHER LEVELING SPACER. USE OF TWO LEVELING SPACERS NOT TO EXCEED 10% OF ATTACHMENT POINTS ON L-FEET OR 10" STANDOFFS.

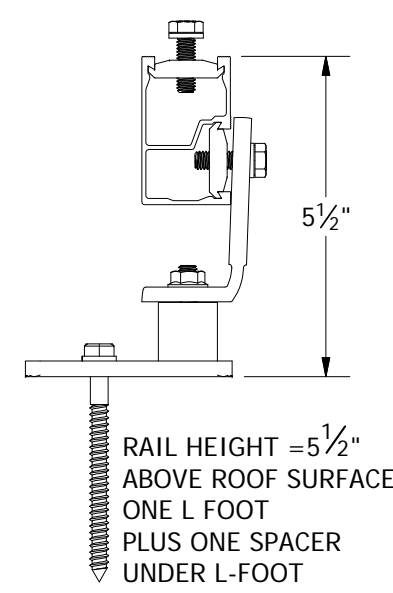


SNAPRACK COMP L-FOOT ASSEMBLY, TYP.

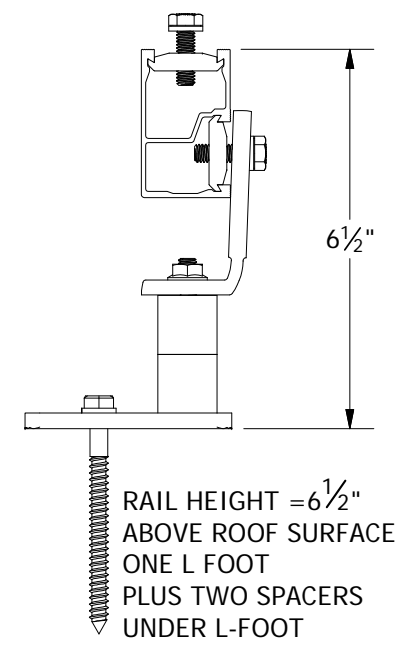
RAIL HEIGHT = 3 1/2" ABOVE ROOF SURFACE  
ONE L-FOOT



RAIL HEIGHT = 4 1/2" ABOVE ROOF SURFACE  
ONE L-FOOT



RAIL HEIGHT = 5 1/2" ABOVE ROOF SURFACE  
ONE L FOOT PLUS ONE SPACER UNDER L-FOOT



RAIL HEIGHT = 6 1/2" ABOVE ROOF SURFACE  
ONE L FOOT PLUS TWO SPACERS UNDER L-FOOT