

USE TILT KIT OPTION FOR INSTALLATIONS THAT REQUIRE MODULES TO BE TILTED ABOVE THE EXISTING ROOF SLOPE

SYSTEM SHOWN IS DESIGNED FOR TILT ANGLES FROM 10 TO 30 DEGREES ABOVE ROOF SURFACE

INSTALL ALL L-FEET IN ORIENTATION SHOWN

TORQUE $\frac{5}{16}$ " \varnothing HARDWARE TO THE FOLLOWING MINIMUM VALUES UNLESS OTHERWISE NOTED:

- SILVER S.S. 16 FT-LBS
- BLACK S.S. 9 FT-LBS

REFER TO ENGINEERING CHARTS FOR RAIL SPAN BASED ON MODULE TILT ANGLE, WIND SPEED, AND SNOW LOAD

BACK SUPPORT LEG IS FABRICATED FROM A SECTION OF STANDARD RAIL. CALCULATE REQUIRED TILT LEG LENGTH AND CUT RAIL TO LENGTH.

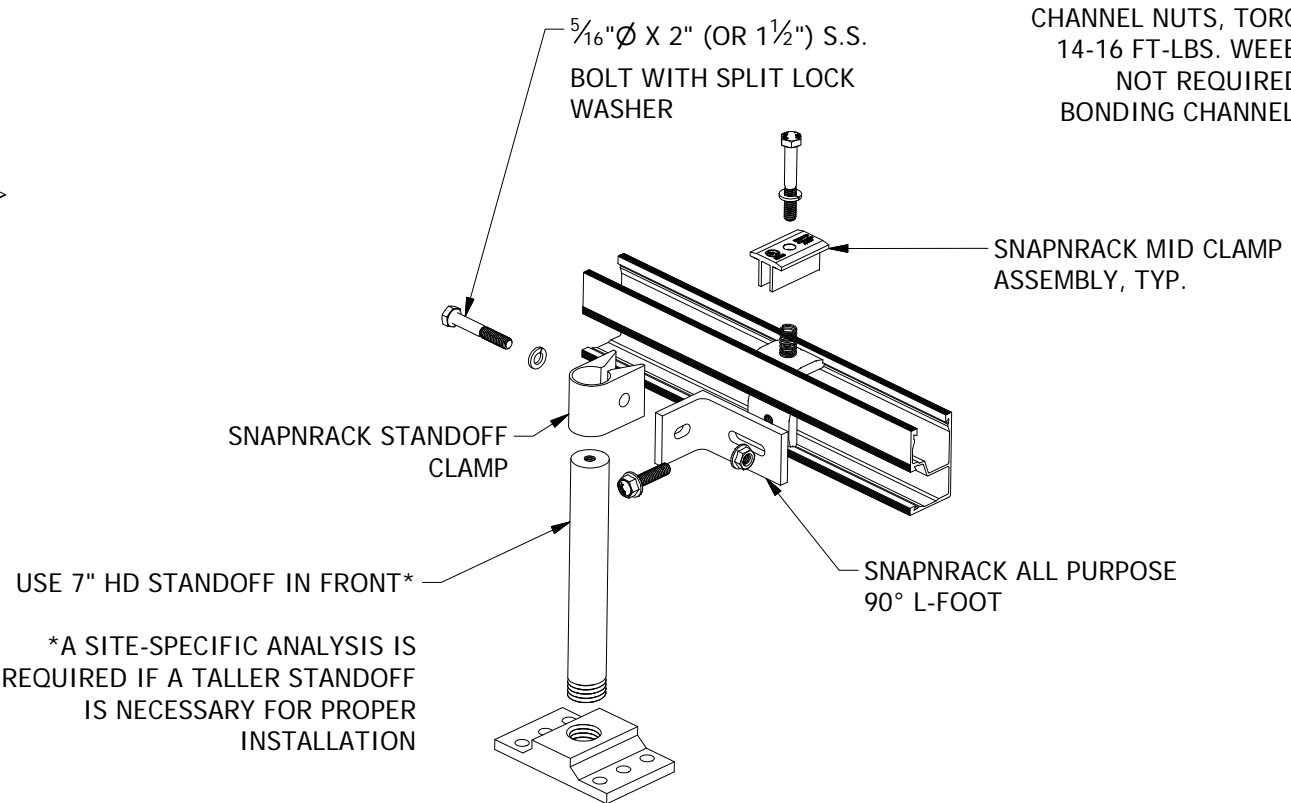
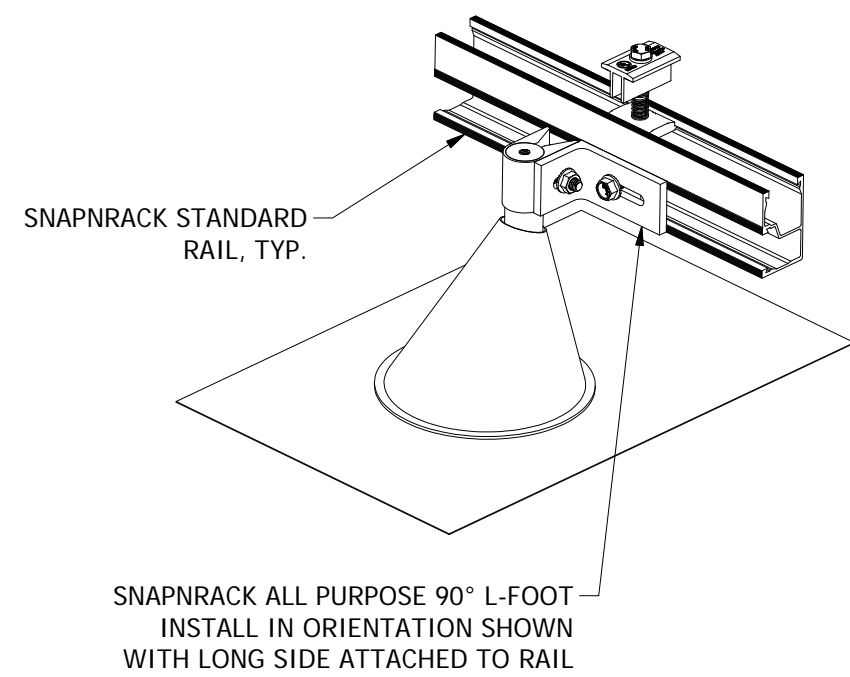
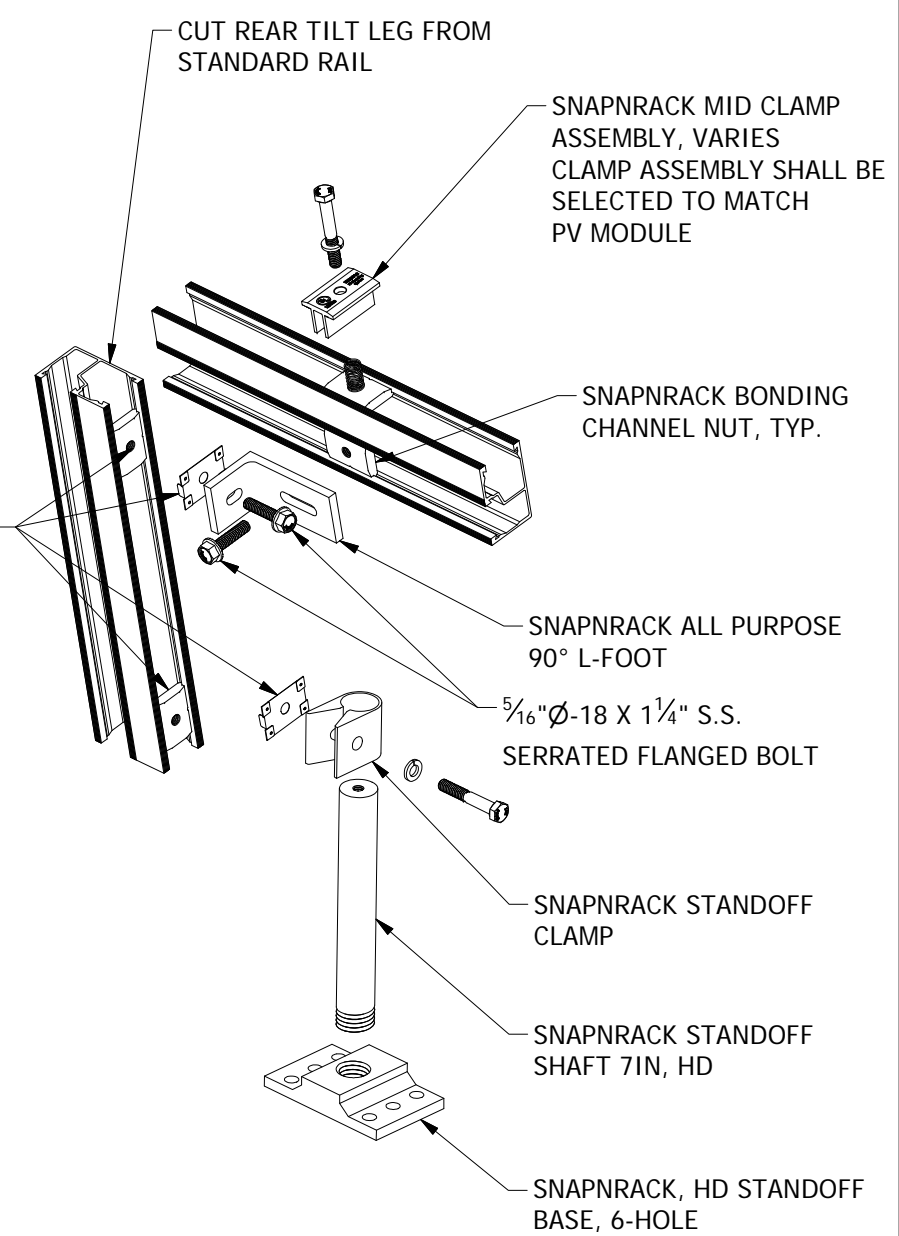
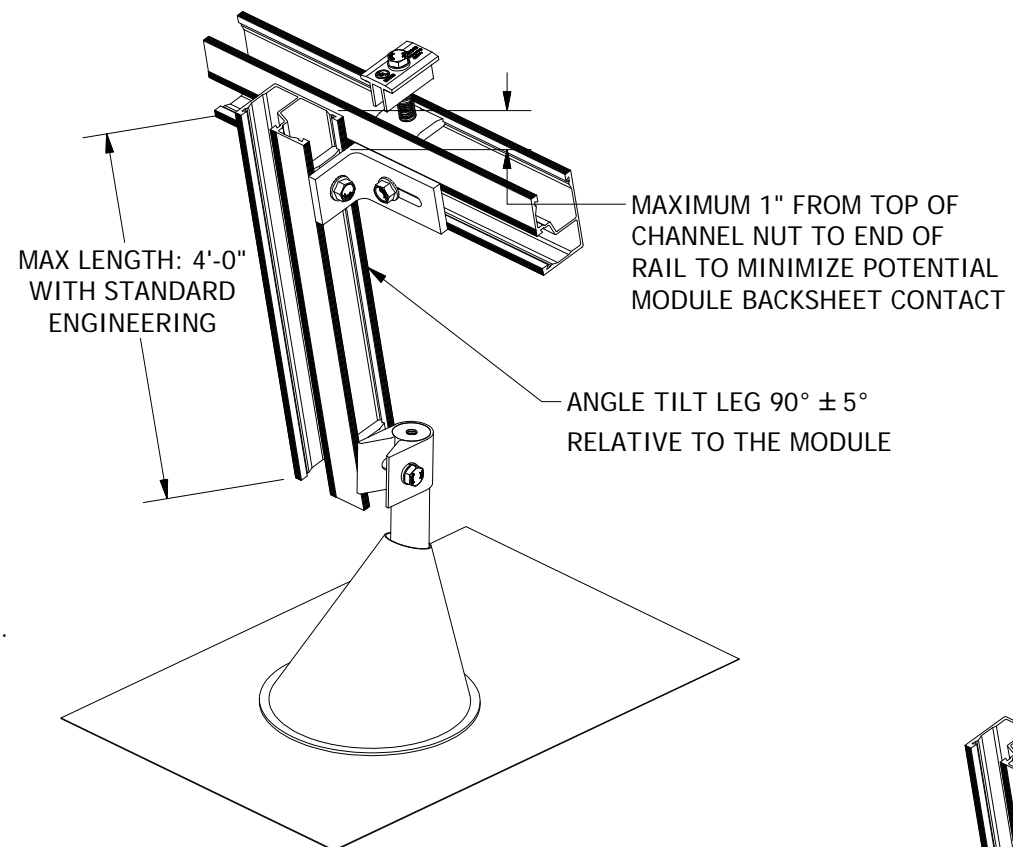
FOR LOWER TILT APPLICATIONS SEE "S100-D12 LOW TILT KIT" AND "S100-D13 MEDIUM TILT KIT" AS REQUIRED. FOR METAL ROOF BASE AND CORRUGATED STRADDLE BLOCK APPLICATIONS SEE "S100-D15 HIGH TILT KIT WITH L-FEET". FOR SEAM CLAMP APPLICATIONS SEE "S100-D16 HIGH TILT KIT WITH SEAM CLAMPS".

FOR MODULE OVERHANG REQUIREMENTS SEE "S100-D07 TYPICAL LAYOUT"

FOR LEVELING REQUIREMENTS SEE "S100-D08 RAIL LEVELING"

SNAPNRACK RAIL END CAP CAN BE USED TO COVER CHANNEL IN REAR TILT LEG

REVISION:		
G	11/28/2017	UPDATES ECF



*A SITE-SPECIFIC ANALYSIS IS REQUIRED IF A TALLER STANDOFF IS NECESSARY FOR PROPER INSTALLATION

	Sunrun South LLC 595 MARKET STREET, 29TH FLOOR • SAN FRANCISCO, CA 94105 USA PHONE (415) 580-6900 • FAX (415) 580-6902 <small>THE INFORMATION IN THIS DRAWING IS CONFIDENTIAL AND PROPRIETARY. ANY REPRODUCTION, DISCLOSURE, OR USE THEREOF IS PROHIBITED WITHOUT THE WRITTEN CONSENT OF SUNRUN SOUTH LLC.</small>	DESIGNER: <u>G.McPheeters</u>	SCALE: <u>DNS</u>	PART NUMBER: <u>S100-D14</u>	DESCRIPTION: <u>HIGH TILT KIT (10-30 DEG VARIABLE TILT KIT)</u>	REV <u>G</u>
		DRAFTER: <u>D.Ryan</u>	DATE: <u>11/28/2017</u>	APPROVED BY: <u>G.McPheeters</u>		