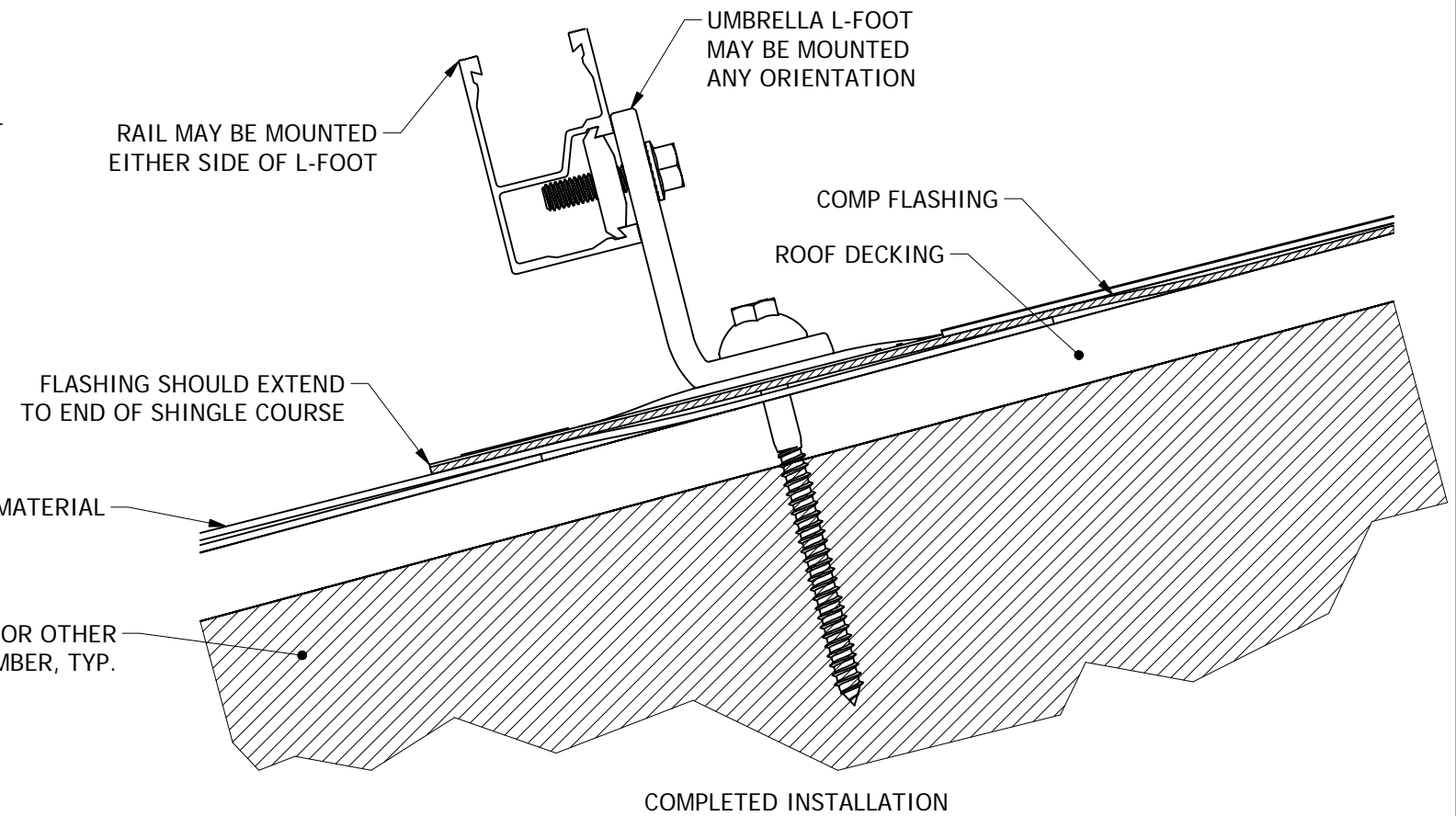
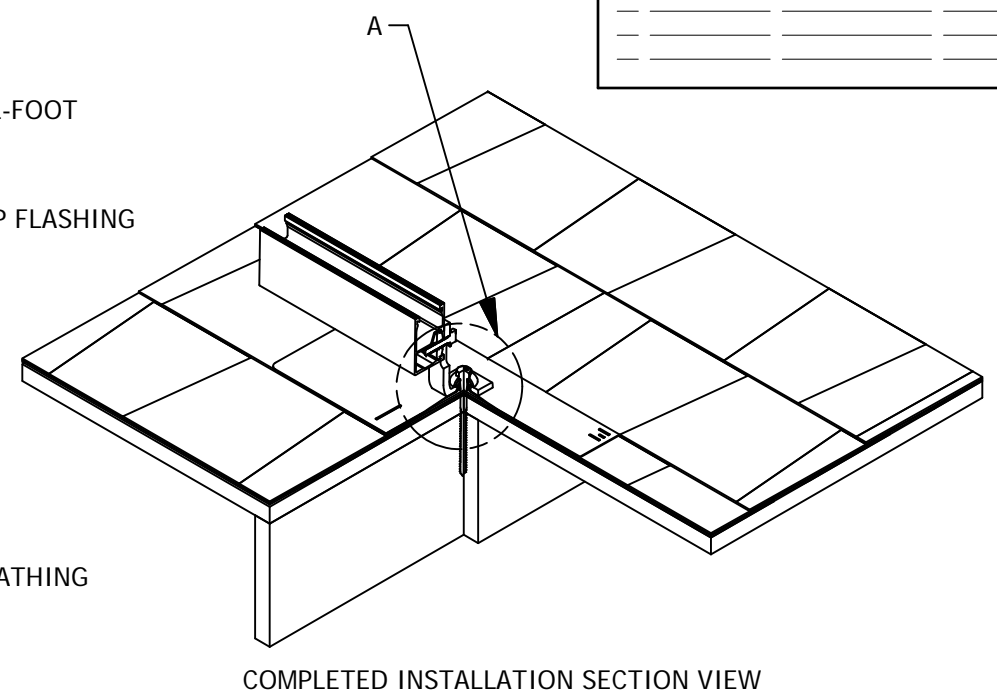
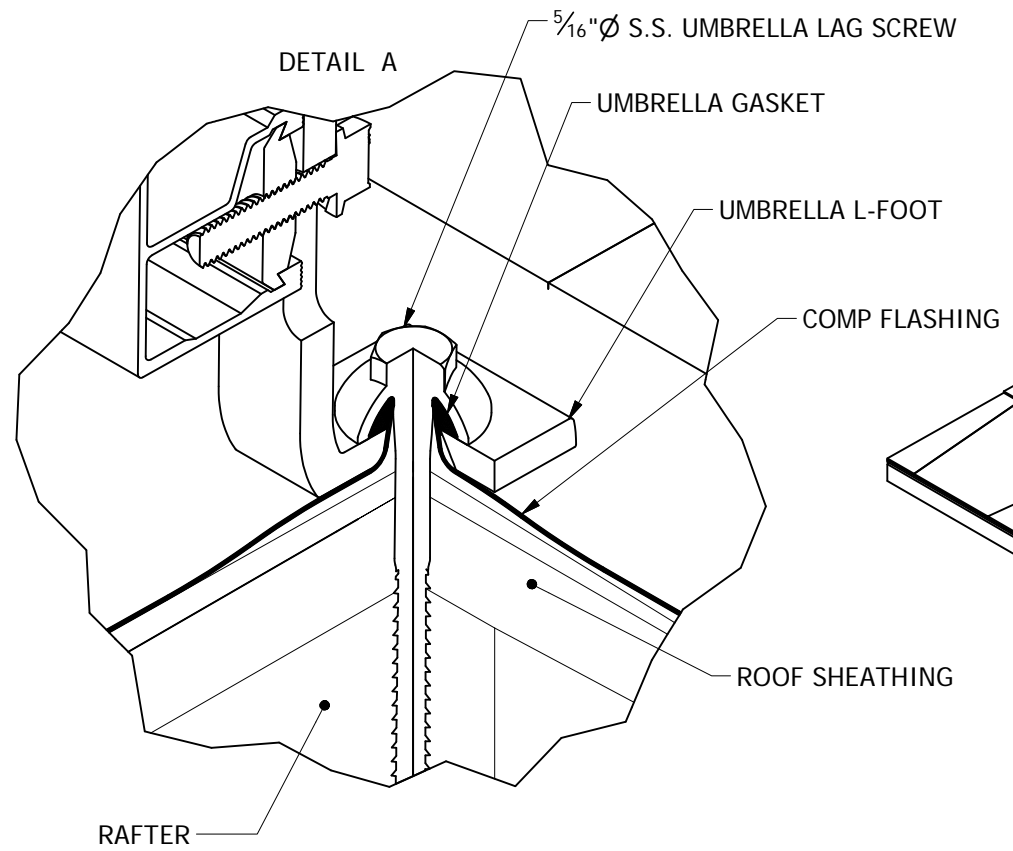
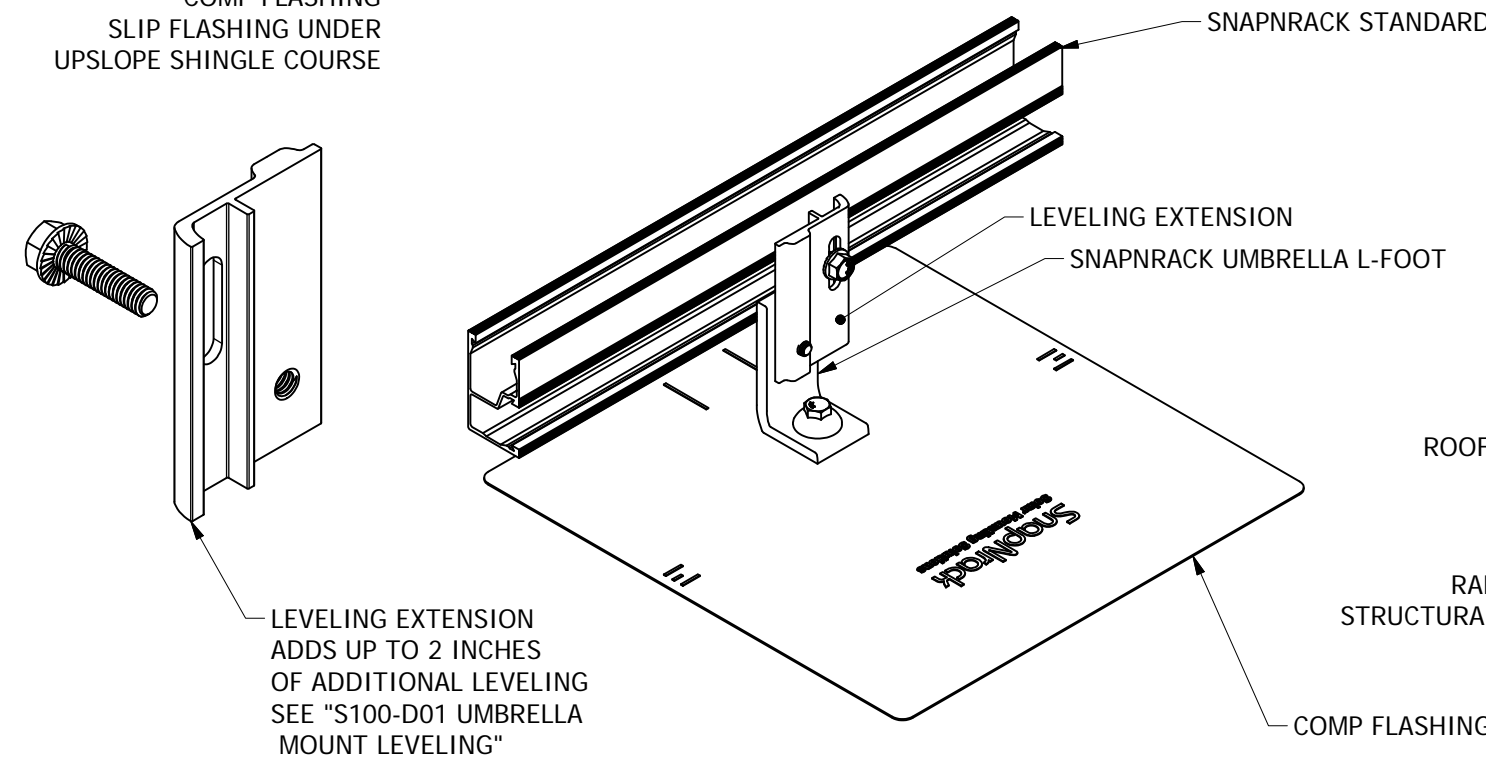
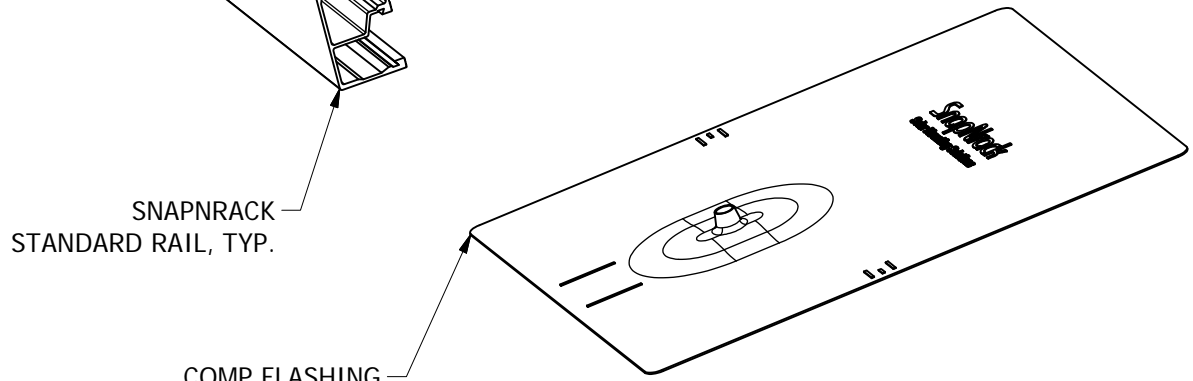
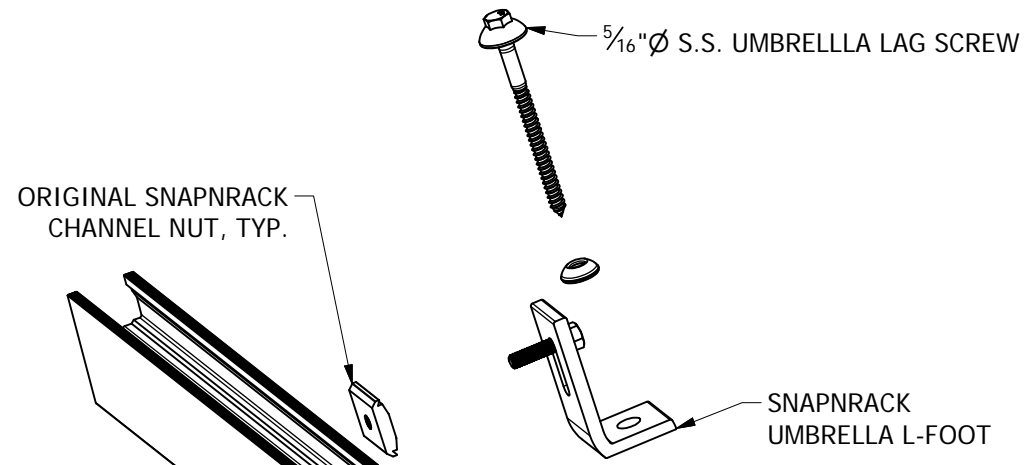


SNAPRACK S100 UMBRELLA MOUNT COMP MOUNTING

REVISION:		
A	11/28/2017	NEW ITEM BDP

5/16"Ø S.S. UMBRELLA LAG SCREW MUST EMBED 2-1/2" INTO THE ROOF STRUCTURAL MEMBER/RAFTER



Sunrun South LLC
 595 MARKET STREET, 29TH FLOOR • SAN FRANCISCO, CA 94105 USA
 PHONE (415) 580-6900 • FAX (415) 580-6902
THE INFORMATION IN THIS DRAWING IS CONFIDENTIAL AND PROPRIETARY. ANY REPRODUCTION, DISCLOSURE, OR USE THEREOF IS PROHIBITED WITHOUT THE WRITTEN CONSENT OF SUNRUN SOUTH LLC.

DESIGNER: G.McPheeters
 DRAFTER: B.Peterson
 APPROVED BY: G.McPheeters

SCALE: DNS
 DATE: 11/28/2017

PART NUMBER: S100 PEN-D01

DESCRIPTION: UMBRELLA MOUNT

REV A