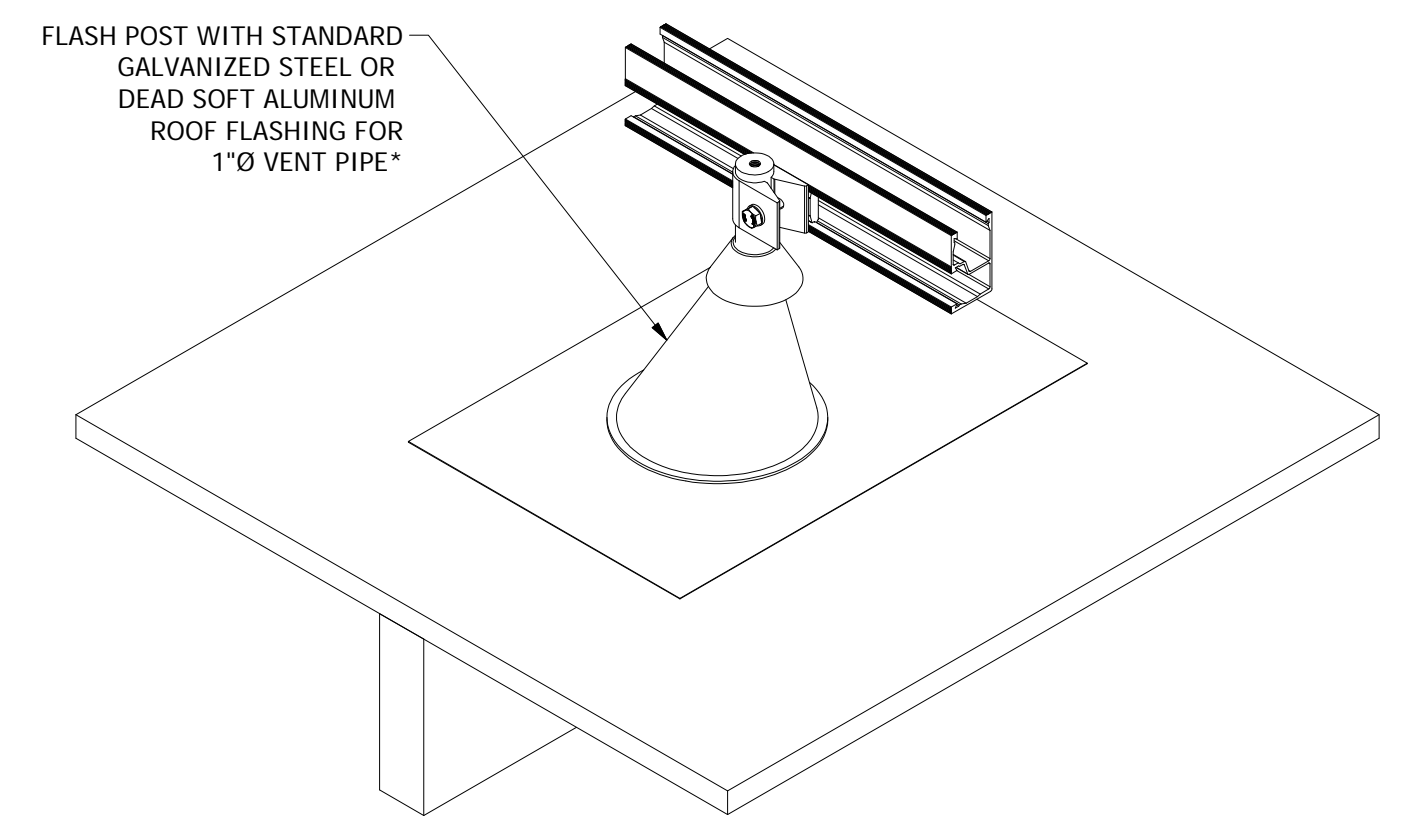
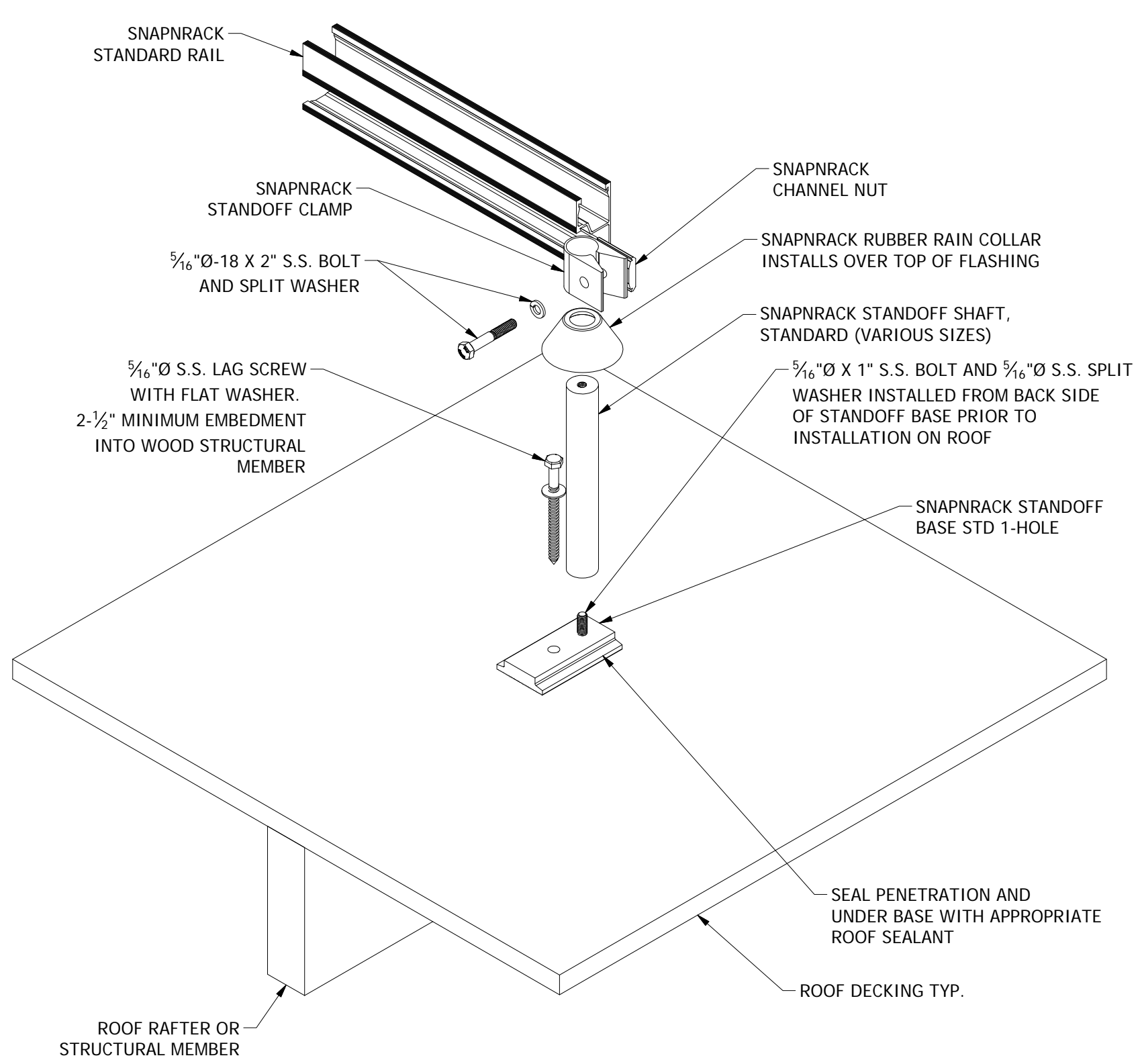


REVISION:		
G	11/28/2017	ECF

NOTES:

- 5/16"Ø LAG SCREWS MUST EMBED 2-1/2" INTO ROOF STRUCTURAL MEMBERS/RAFTERS
- TORQUE ALL 5/16"Ø HARDWARE TO THE FOLLOWING:
 - SILVER S.S. 10-16 FT-LBS
 - BLACK S.S. 7-9 FT-LBS
- RAILS CAN MOUNT TO EITHER SIDE OF POST (UPSLOPE OR DOWNSLOPE)
- RAILS CAN BE LEVELLED UP TO 3" USING UP TO TWO LEVELING SPACERS AS SHOWN IN "S100-D08 RAIL LEVELING"
- *A Poured sealant-style flashing may be used with SnapNrack standoffs as an alternative to a typical cone flashing when installed per manufacturer's instructions on low-slope roof surfaces



COMPLETE INSTALLATION (SHOWN WITH FLASHING IN PLACE)



Sunrun South LLC
 595 MARKET STREET, 29TH FLOOR • SAN FRANCISCO, CA 94105 USA
 PHONE (415) 580-6900 • FAX (415) 580-6902
THE INFORMATION IN THIS DRAWING IS CONFIDENTIAL AND PROPRIETARY. ANY REPRODUCTION, DISCLOSURE, OR USE THEREOF IS PROHIBITED WITHOUT THE WRITTEN CONSENT OF SUNRUN SOUTH LLC.

DESIGNER: G.McPheeters
 DRAFTER: D.Ryan
 APPROVED BY: G.McPheeters

SCALE: DNS
 DATE: 11/28/2017

PART NUMBER: S100 PEN-D04

DESCRIPTION: STANDOFF TO RAFTER

REV **G**