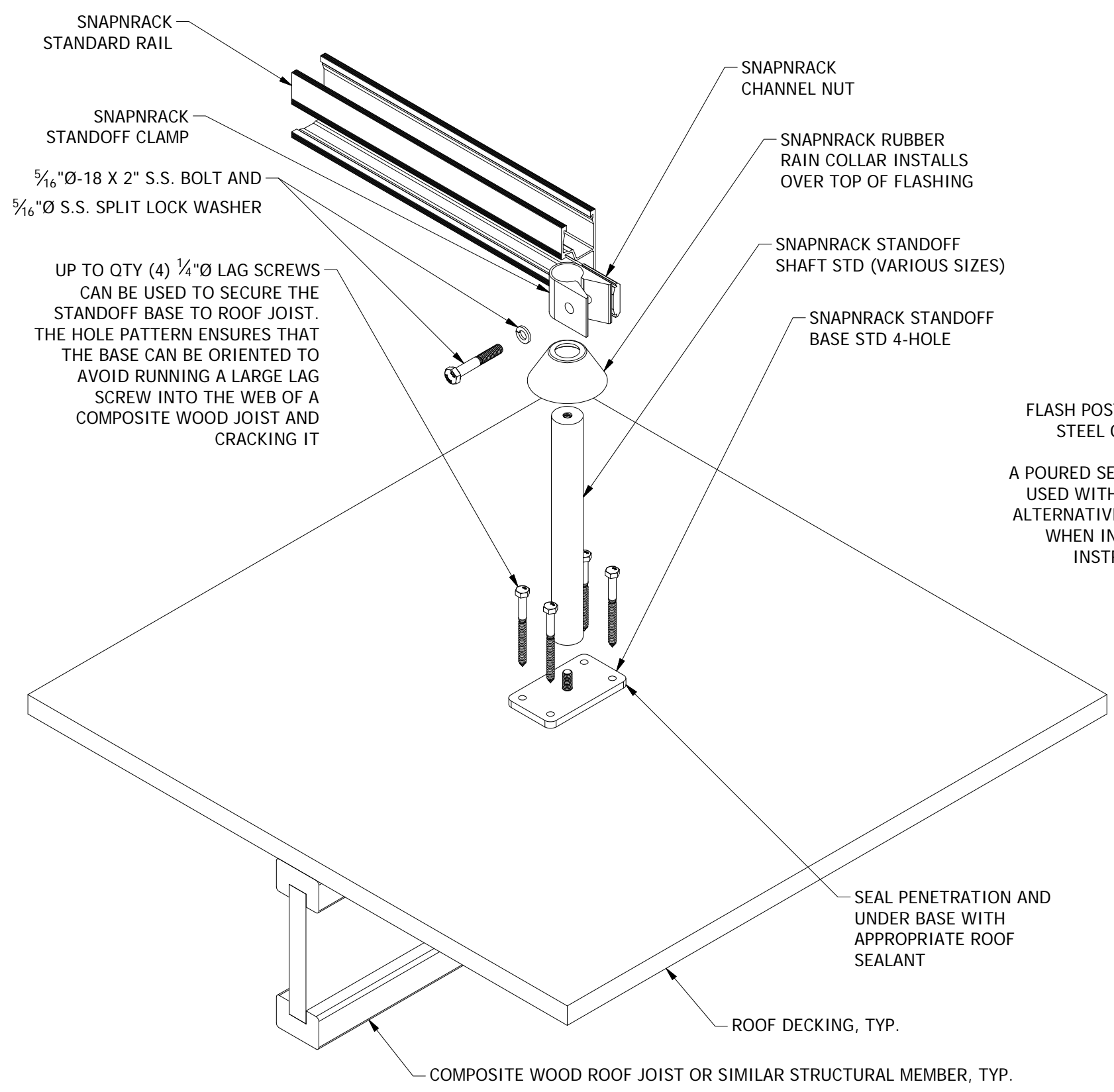


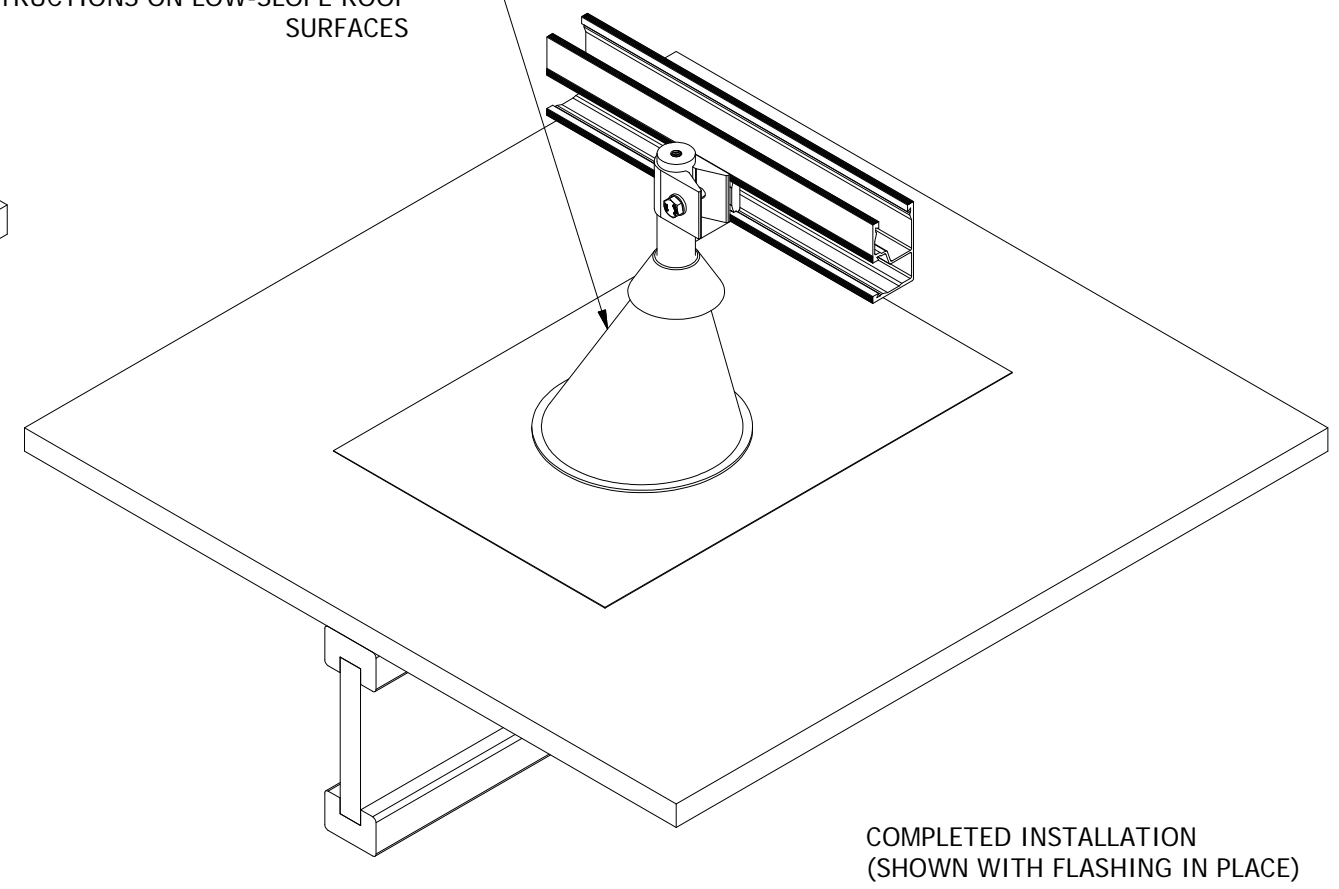
REVISION:	
G 11/28/2017	DR

NOTES:

- WOOD SCREWS MUST EMBED IN ROOF STRUCTURAL MEMBERS/JOISTS.
- TORQUE ALL 5/16"Ø HARDWARE TO THE FOLLOWING:
  - SILVER S.S. 10-16 FT-LBS
  - BLACK S.S. 7-9 FT-LBS
- RAILS CAN MOUNT TO EITHER SIDE OF POST (UPSLOPE OR DOWNSLOPE)
- RAILS CAN BE LEVELLED UP TO 3" USING UP TO TWO LEVELING SPACERS AS SHOWN IN "S100-D08 RAIL LEVELING"



FLASH POST WITH STANDARD GALVANIZED STEEL OR DEAD SOFT ALUMINUM ROOF FLASHING FOR 1"n VENT PIPE. A POURED SEALANT-STYLE FLASHING MAY BE USED WITH SNAPNRACK STANDOFFS AS AN ALTERNATIVE TO A TYPICAL CONE FLASHING WHEN INSTALLED PER MANUFACTURER'S INSTRUCTIONS ON LOW-SLOPE ROOF SURFACES



COMPLETED INSTALLATION (SHOWN WITH FLASHING IN PLACE)