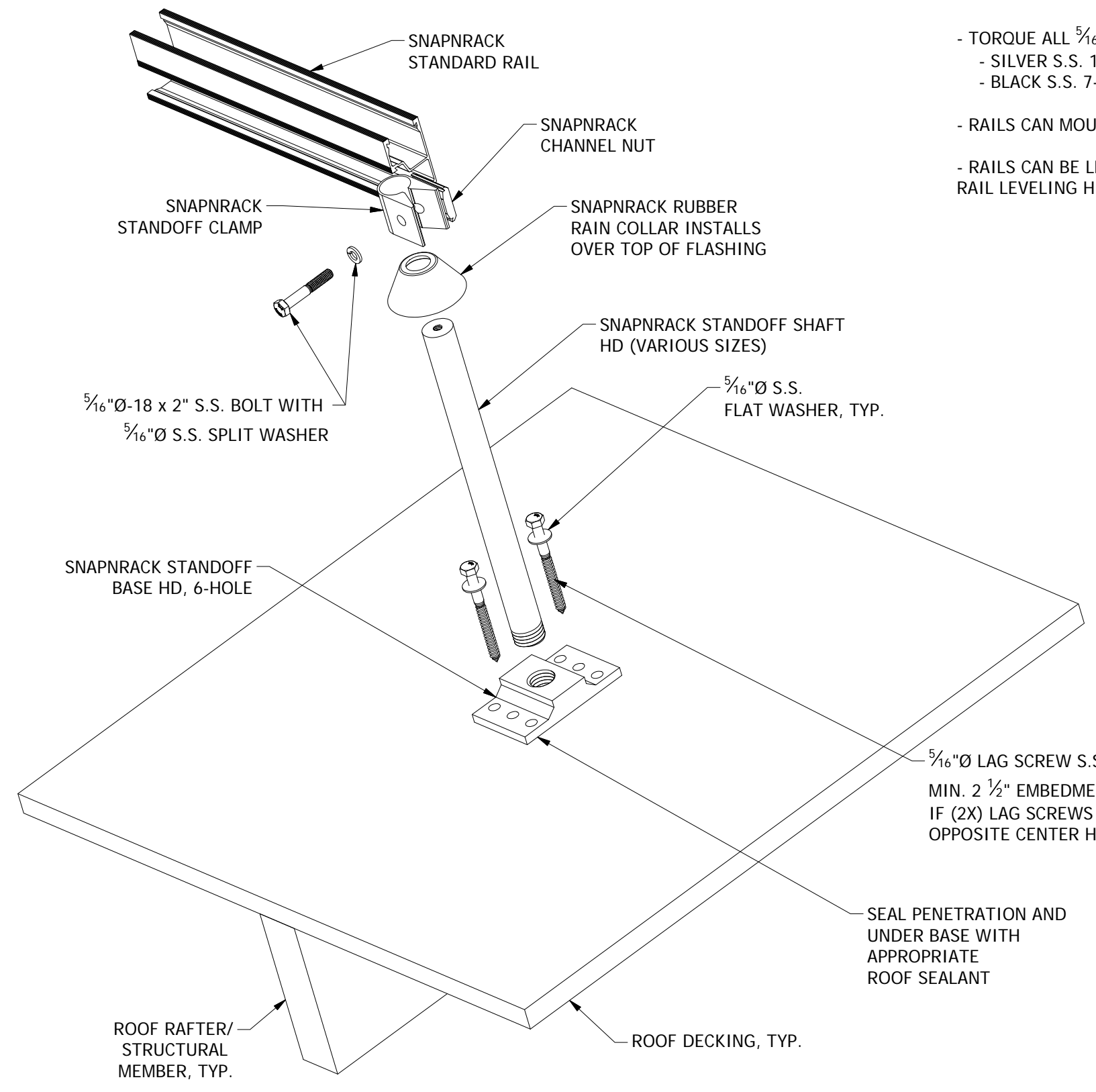


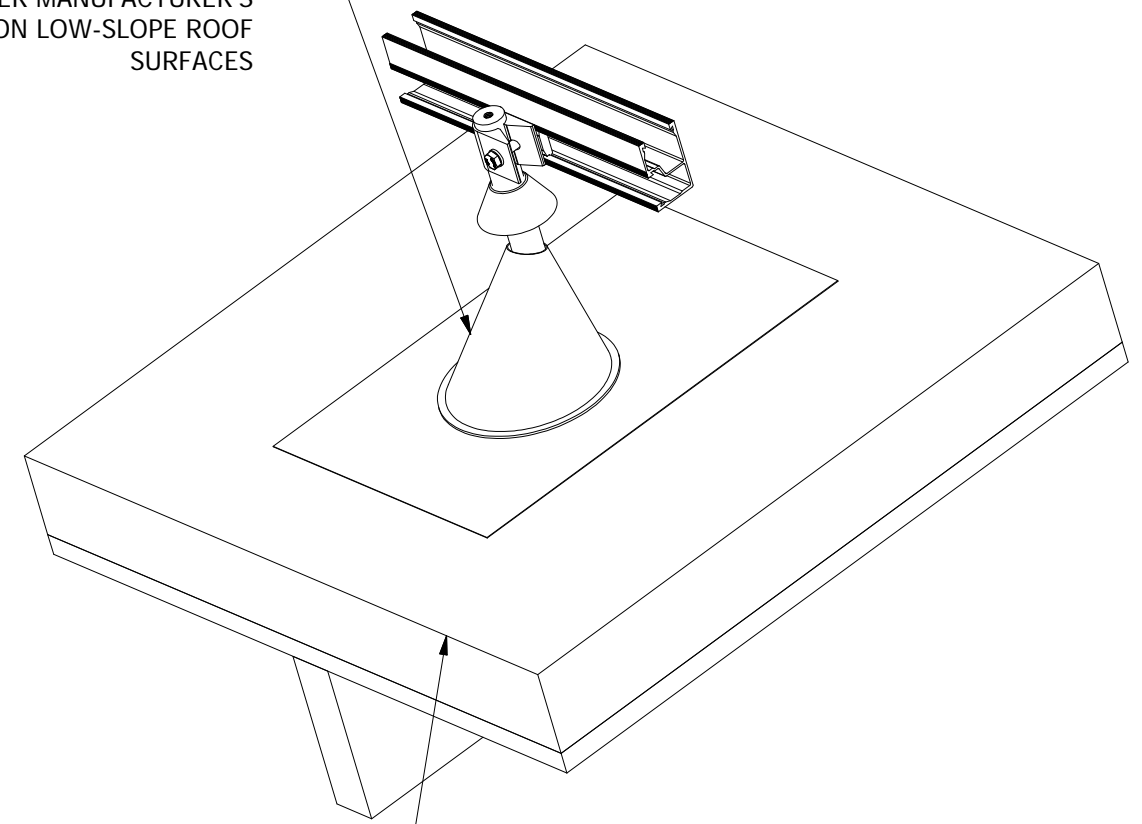
REVISION:		
G	11/28/2017	DR

NOTES:

- LAG SCREWS MUST EMBED 2-1/2" IN ROOF STRUCTURAL MEMBERS/RAFTERS, NOT THE INSULATION
- TORQUE ALL 5/16"Ø NUTS & BOLTS TO THE FOLLOWING:
 - SILVER S.S. 10-16 FT-LBS
 - BLACK S.S. 7-9 FT-LBS
- RAILS CAN MOUNT TO EITHER SIDE OF POST (UPSLOPE OR DOWNSLOPE)
- RAILS CAN BE LEVELED UP TO 3" USING UP TO TWO LEVELING SPACERS AS SHOWN IN DRAWING "S100-D09 RAIL LEVELING HD STANDOFF"



FLASH POST WITH STANDARD GALVANIZED STEEL OR DEAD SOFT ALUMINUM ROOF FLASHING FOR 1"Ø VENT PIPE. A POURED SEALANT-STYLE FLASHING MAY BE USED WITH SNAPRACK STANDOFFS AS AN ALTERNATIVE TO A TYPICAL CONE FLASHING WHEN INSTALLED PER MANUFACTURER'S INSTRUCTIONS ON LOW-SLOPE ROOF SURFACES



SNAPRACK STANDOFF MOUNTING POINT FOR USE ON ALL ROOF SURFACES

FOAM INSULATION, TYP. (HD STANDOFFS ARE OFTEN USED ON FOAM INSULATED ROOFING)



Sunrun South LLC
 595 MARKET STREET, 29TH FLOOR • SAN FRANCISCO, CA 94105 USA
 PHONE (415) 580-6900 • FAX (415) 580-6902
 THE INFORMATION IN THIS DRAWING IS CONFIDENTIAL AND PROPRIETARY. ANY REPRODUCTION, DISCLOSURE, OR USE THEREOF IS PROHIBITED WITHOUT THE WRITTEN CONSENT OF SUNRUN SOUTH LLC.

DESIGNER: G.McPheeters
 DRAFTER: D.Ryan
 APPROVED BY: G.McPheeters

SCALE: DNS
 DATE: 11/28/2017

PART NUMBER: S100 PEN-D10

DESCRIPTION: HD STANDOFF

REV G