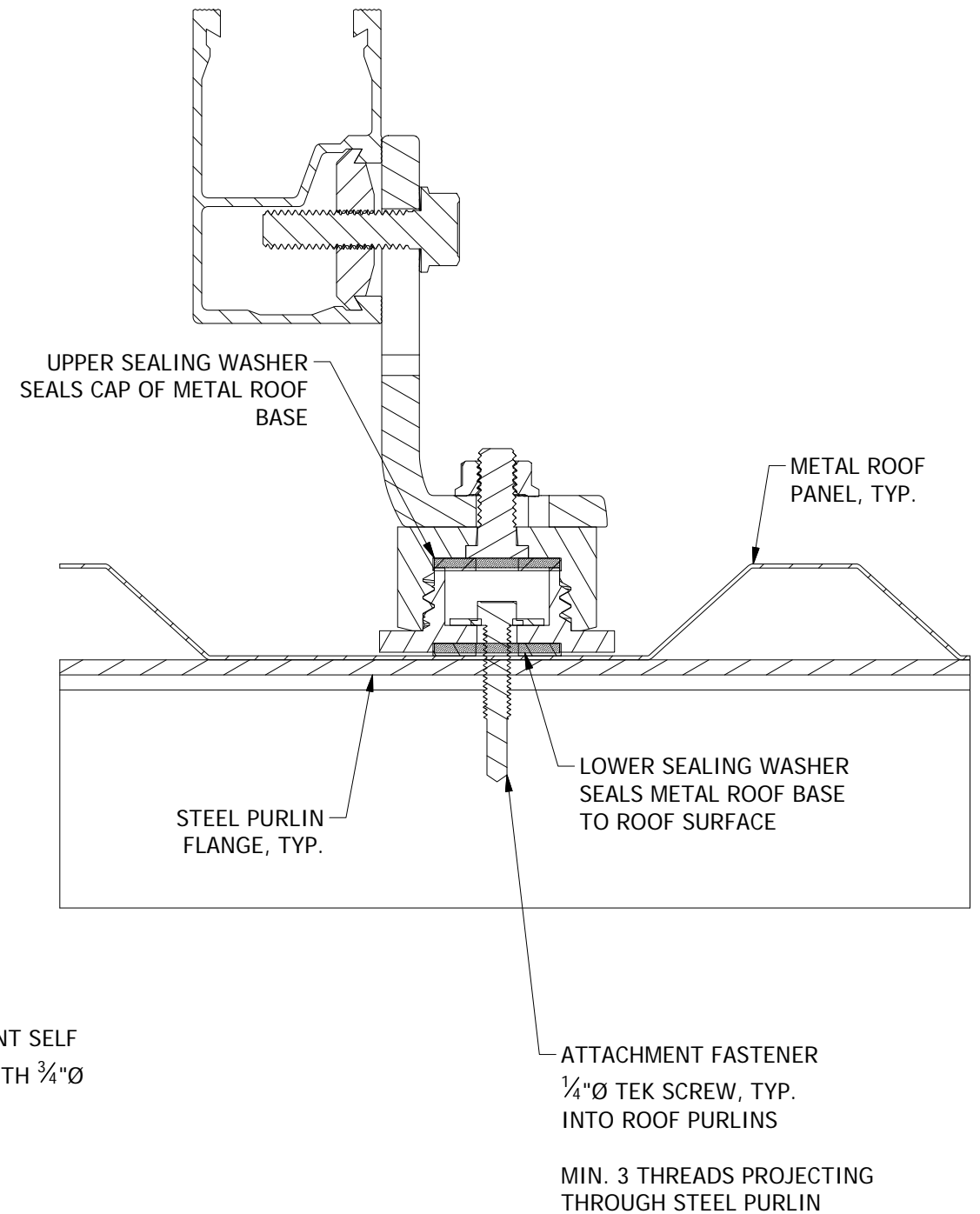
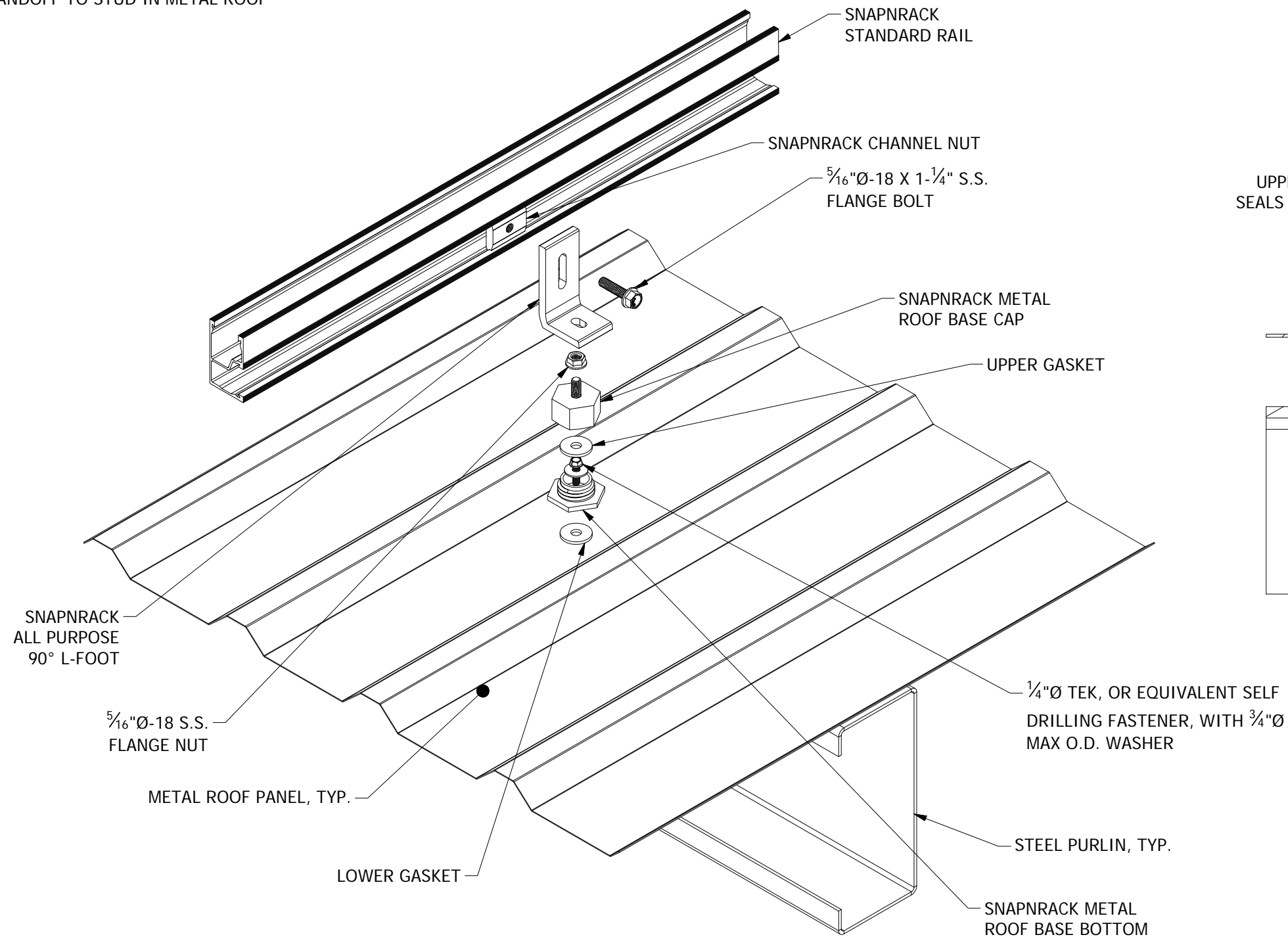


STEP 1:
ATTACH METAL ROOF BASE TO PURLIN WITH 1/4"Ø
TEK OR EQUIVALENT SELF DRILLING SCREW.
TORQUE TO MANUFACTURER SPECIFICATIONS

STEP 2:
THREAD METAL ROOF BASE CAP ONTO METAL
ROOF BASE BOTTOM. TAKE CARE TO ENSURE THE
BASE DOES NOT TWIST WHEN CAP IS TIGHTENED.
ENSURE CAP IS FULLY SEATED TO BASE.

STEP 3:
ATTACH STANDOFF TO STUD IN METAL ROOF
BASE CAP.

REVISION:		DR
F	11/30/2013	ECF
G	11/28/2017	



Sunrun South LLC
595 MARKET STREET, 29TH FLOOR • SAN FRANCISCO, CA 94105 USA
PHONE (415) 580-6900 • FAX (415) 580-6902
THE INFORMATION IN THIS DRAWING IS CONFIDENTIAL AND PROPRIETARY. ANY REPRODUCTION, DISCLOSURE, OR USE THEREOF IS PROHIBITED WITHOUT THE WRITTEN CONSENT OF SUNRUN SOUTH LLC.

DESIGNER: G.McPheeters
DRAFTER: D.Ryan
APPROVED BY: G.McPheeters

SCALE: DNS
DATE: 11/28/2017

PART NUMBER:
S100 PEN-D12

DESCRIPTION:
METAL ROOF BASE TO PURLIN

REV
G