

SNAPNRACK RL SYSTEM DETAILS

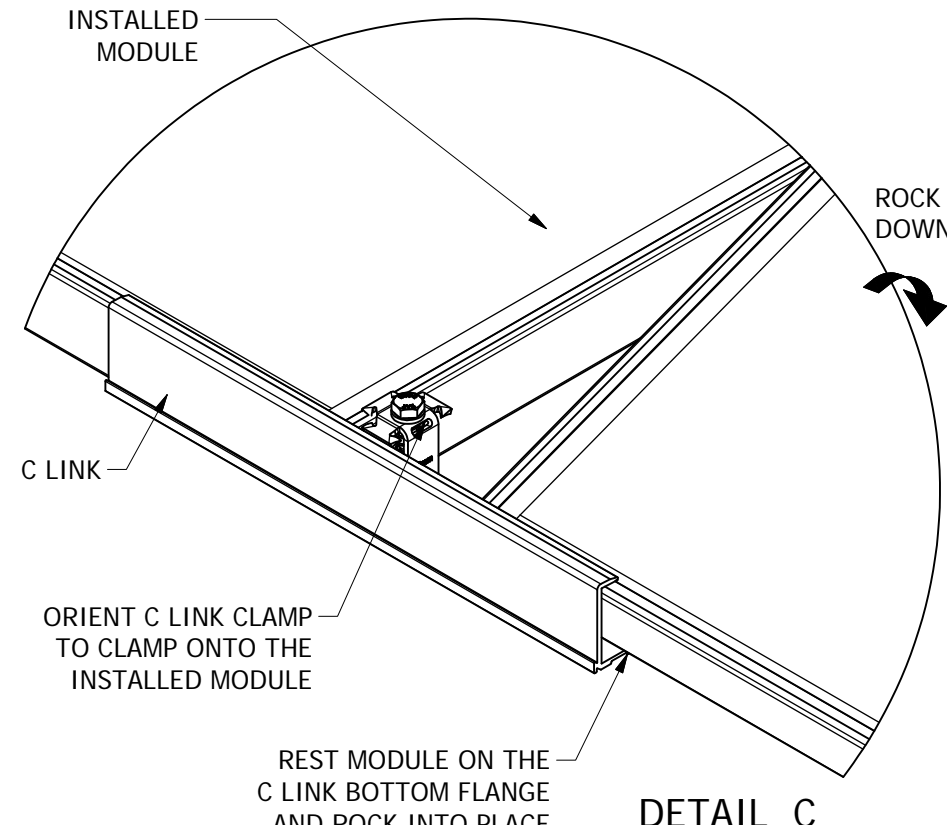
TORQUE ALL HARDWARE TO THE FOLLOWING VALUES:  
 A AND B MOUNT HARDWARE\*: 12-14 FT-LBS  
 \*FOR HANWHA, B MOUNT CLAMP BOLT: 16 FT-LBS  
 C LINK BOLT: 9-10 FT-LBS

FOR UNEVEN ROOF SURFACES, EACH MOUNT HAS 1-1/2" OF LEVELING CAPABILITY IN 1/12" INCREMENTS

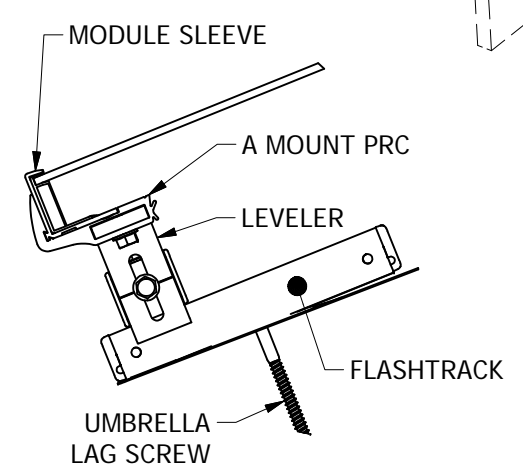
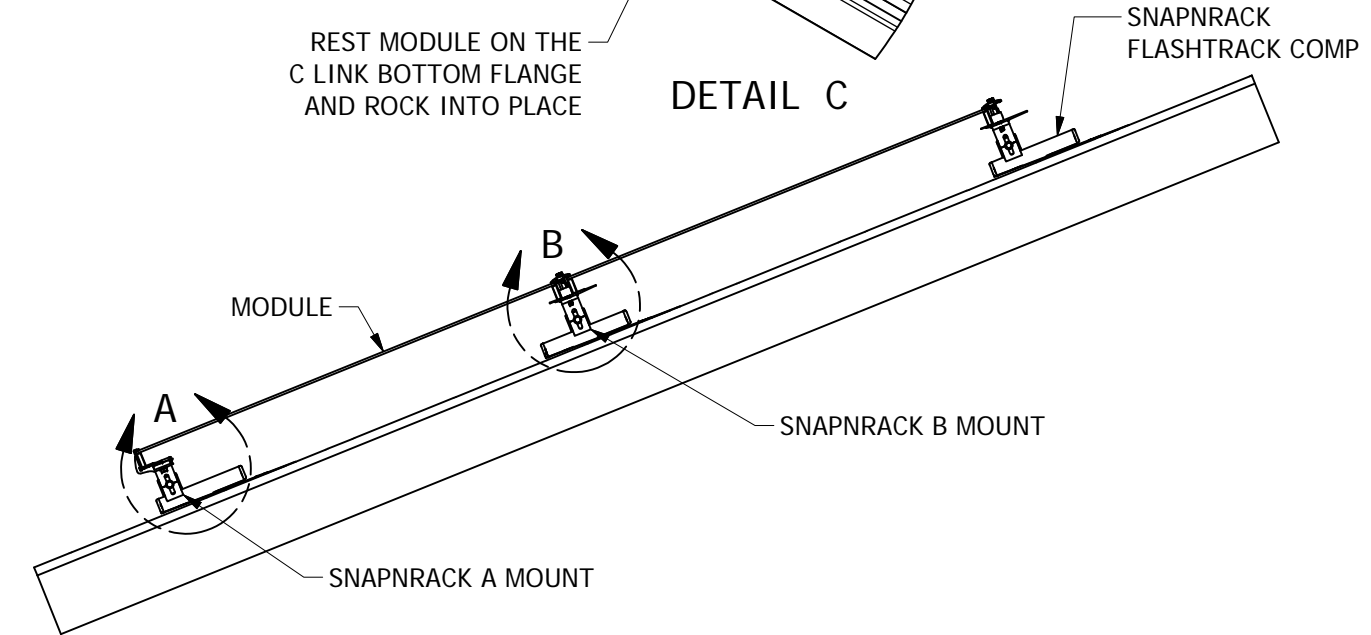
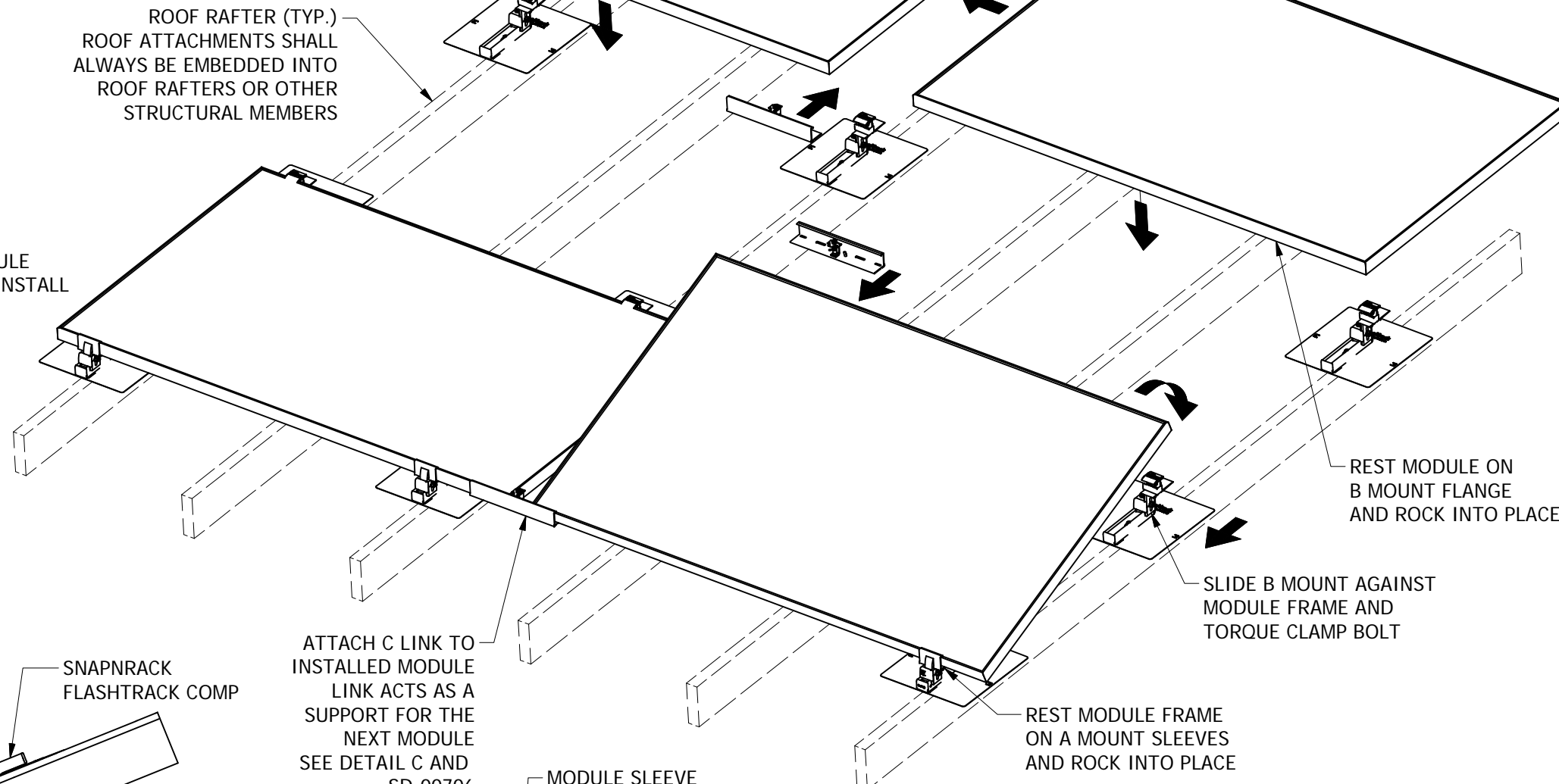
USE 242-92254 FLASHTRACK SPACER FOR AN ADDITIONAL 1-1/4" OF LEVELING

\*\*B MOUNT CLAMP BOLT ONLY CLAMPS THE MODULE BELOW. THE MODULE ABOVE THE MOUNT (UP ROOF) IS SECURED WITH A SLEEVE CONNECTION.

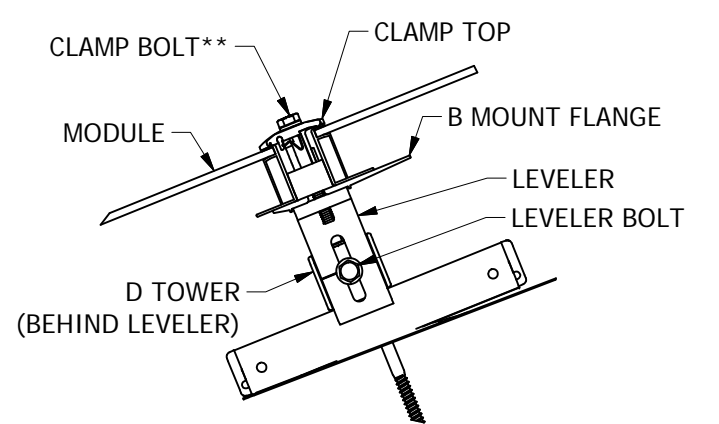
REVISION:		
A	6/19/2017	NEW ITEM GTV



DETAIL C



DETAIL A



DETAIL B



Sunrun South LLC  
 595 MARKET STREET, 29TH FLOOR • SAN FRANCISCO, CA 94105 USA  
 PHONE (415) 580-6900 • FAX (415) 580-6902  
THE INFORMATION IN THIS DRAWING IS CONFIDENTIAL AND PROPRIETARY. ANY REPRODUCTION, DISCLOSURE, OR USE THEREOF IS PROHIBITED WITHOUT THE WRITTEN CONSENT OF SUNRUN SOUTH LLC.

DESIGNER: G.McPheeters  
 DRAFTER: G.Viscuso  
 APPROVED BY: G.McPheeters

SCALE: NTS  
 DATE: 6/19/2017

PART NUMBER: SD-00704

DESCRIPTION: SYSTEM DETAIL, HARDWARE

REV A