

DESCRIPTION:  
**SNAPNRACK, 1-HOLE BASE STANDOFF KITS**

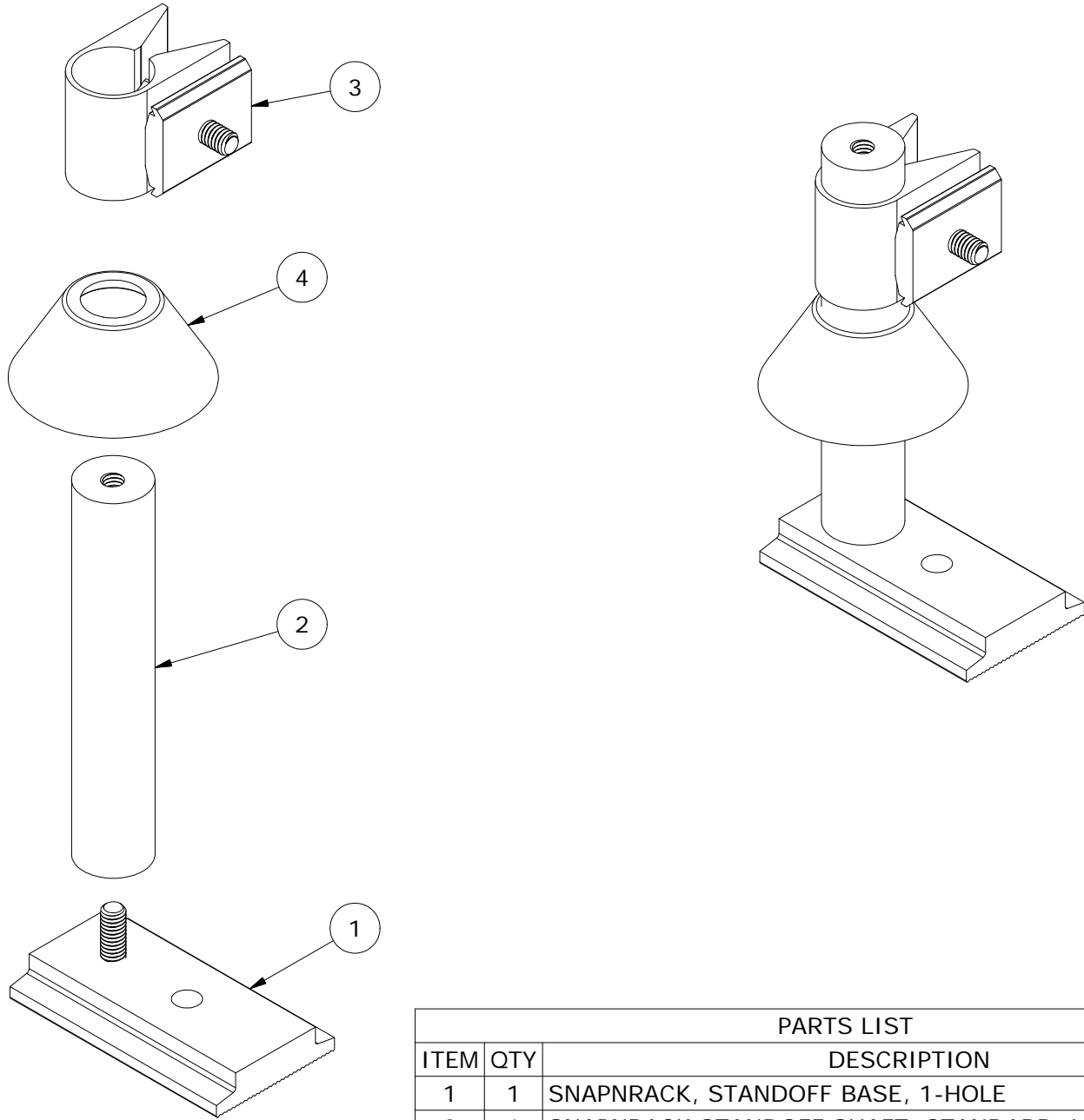
DRAWN BY:  
 D.Ryan



PART NUMBER(S):  
 242-92055, 242-92057, 242-92059, 242-92061

REVISION:  
**A**

595 MARKET STREET, 29TH FLOOR • SAN FRANCISCO, CA 94105 USA  
 PHONE (415) 580-6900 • FAX (415) 580-6902  
 THE INFORMATION IN THIS DRAWING IS CONFIDENTIAL AND PROPRIETARY. ANY REPRODUCTION, DISCLOSURE, OR USE THEREOF IS PROHIBITED WITHOUT THE WRITTEN CONSENT OF SUNRUN SOUTH LLC.



PARTS LIST		
ITEM	QTY	DESCRIPTION
1	1	SNAPNRACK, STANDOFF BASE, 1-HOLE
2	1	SNAPNRACK STANDOFF SHAFT, STANDARD, LENGTH VARIES
3	1	SNAPNRACK, STANDOFF CLAMP ASSEMBLY
4	1	SNAPNRACK RUBBER RAIN COLLAR

MATERIALS:	6000 SERIES ALUMINUM, STAINLESS STEEL	OPTIONS:
DESIGN LOAD (LBS):	405 UP, 788 DOWN, 236 SIDE	CLEAR ANODIZED / MILL FINISH
ULTIMATE LOAD (LBS):	1161 UP, 1610 DOWN, 795 SIDE	
TORQUE SPECIFICATION:	10+ LB-FT	
CERTIFICATION:	UL 2703, FILE E359313	
WEIGHT (LBS):	0.92 - 1.24	

DESCRIPTION:

SNAPNRACK, 1-HOLE BASE STANDOFF KITS

DRAWN BY:

D.Ryan

SnapNrack™  
Solar Mounting Solutions

PART NUMBER(S):

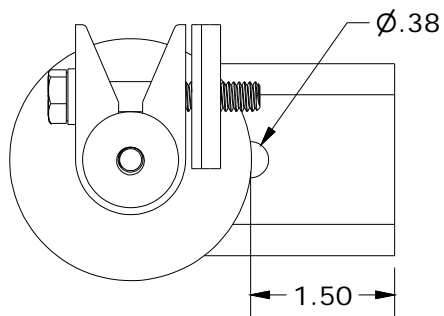
242-92055, 242-92057, 242-92059, 242-92061

REVISION:

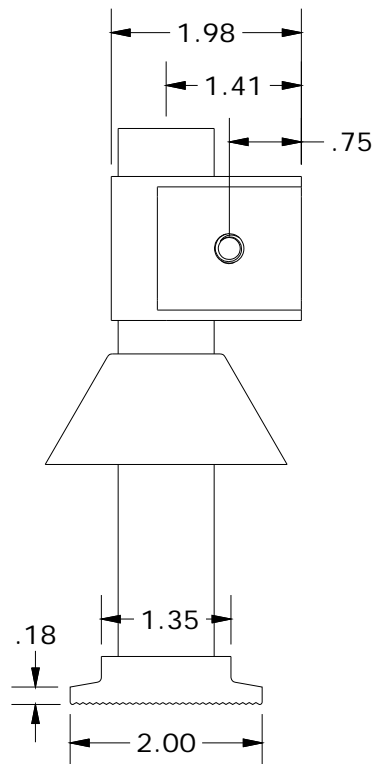
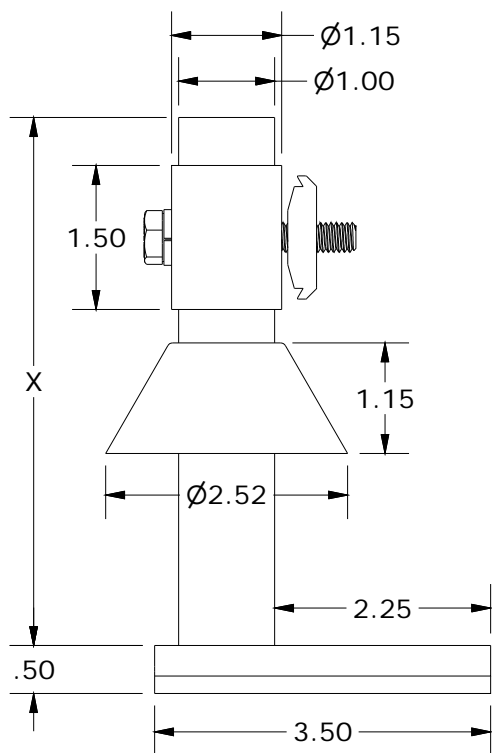
A

595 MARKET STREET, 29TH FLOOR • SAN FRANCISCO, CA 94105 USA  
PHONE (415) 580-6900 • FAX (415) 580-6902

THE INFORMATION IN THIS DRAWING IS CONFIDENTIAL AND PROPRIETARY. ANY REPRODUCTION, DISCLOSURE, OR USE THEREOF IS PROHIBITED WITHOUT THE WRITTEN CONSENT OF SUNRUN SOUTH LLC.



STANDOFF PROPERTIES	
SKU	STANDOFF LENGTH (X)
242-92055	10"
242-92057	5.5"
242-92059	7"
242-92061	8.5"



ALL DIMENSIONS IN INCHES