

DESCRIPTION:
SNAPNRACK, A MOUNT

PART NUMBER(S):
242-92332, 242-92335, 242-92338, 242-92340

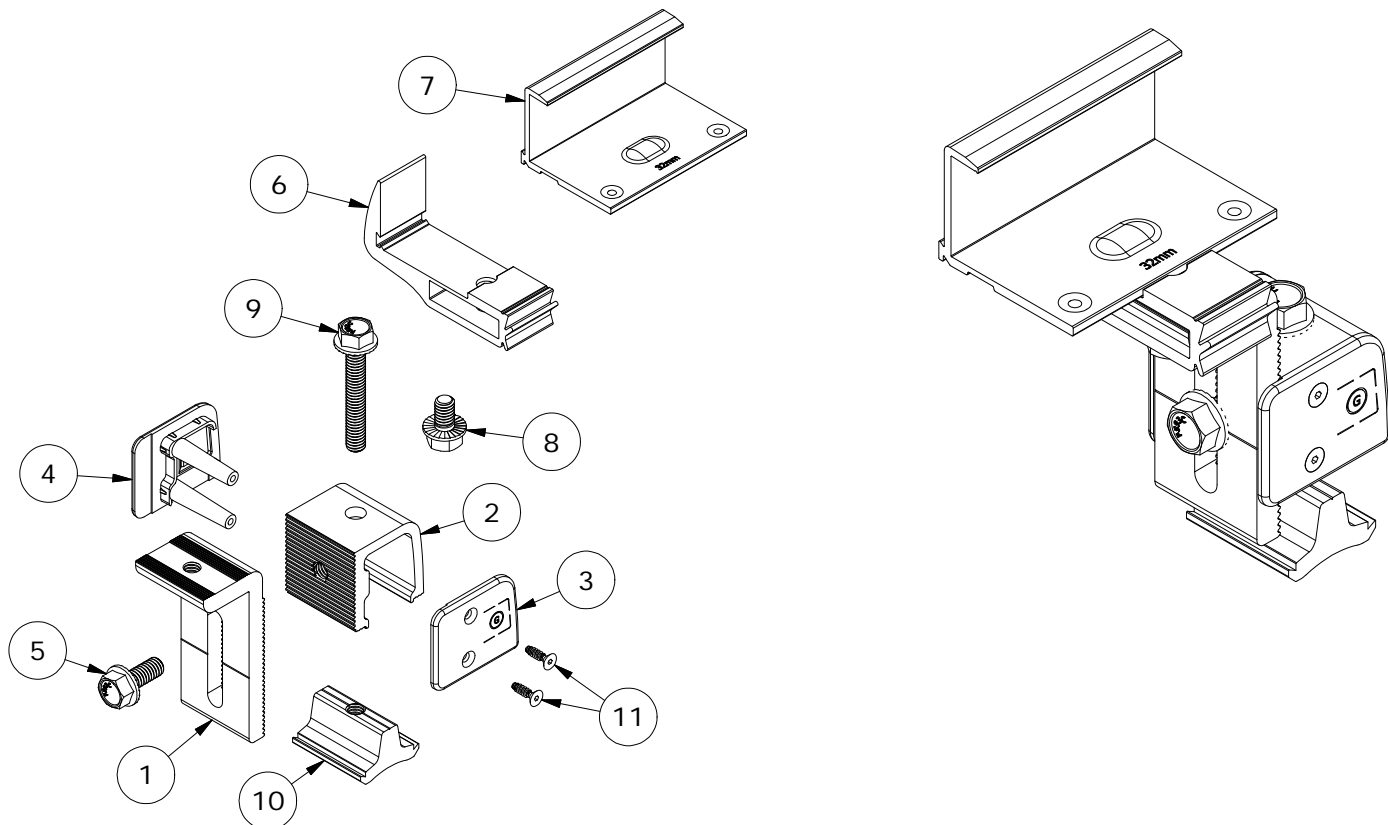
DRAWN BY:
 mwatkins

REVISION:
A

SnapNrack™
 Solar Mounting Solutions

595 MARKET STREET, 29TH FLOOR • SAN FRANCISCO, CA 94105 USA
 PHONE (415) 580-6900 • FAX (415) 580-6902

THE INFORMATION IN THIS DRAWING IS CONFIDENTIAL AND PROPRIETARY. ANY REPRODUCTION, DISCLOSURE, OR USE THEREOF IS PROHIBITED WITHOUT THE WRITTEN CONSENT OF SUNRUN SOUTH LLC.



| PARTS LIST | | |
|------------|-----|---|
| ITEM | QTY | DESCRIPTION |
| 1 | 1 | SNAPNRACK, D TOWER LEVELER |
| 2 | 1 | SNAPNRACK, D TOWER PRC |
| 3 | 1 | SNAPNRACK, D TOWER END CAP A |
| 4 | 1 | SNAPNRACK, D TOWER END CAP B |
| 5 | 1 | BOLT, FLANGE, SERRATED, 5/16IN-18 X 3/4IN, BLACK, SS |
| 6 | 1 | SNAPNRACK, A MOUNT PRC, BLACK |
| 7 | 1 | SNAPNRACK, A MOUNT SLEEVE, BLACK |
| 8 | 1 | BOLT, FLANGE, SERRATED, 5/16IN-18 X 1/2IN, BLACK, SS |
| 9 | 1 | BOLT, FLANGE, SERRATED, 5/16IN-18 X 2IN, BLACK, SS |
| 10 | 1 | SNAPNRACK, DROP IN/ROCK IN CHANNEL NUT |
| 11 | 2 | SCREW, THREAD CUTTING, #6 X 1/2IN, FLAT HEAD, INTERNAL HEX DRIVE, BLACK, SS |

| | | |
|-----------------------|--|--------------|
| MATERIALS: | 6000 SERIES ALUMINUM, STAINLESS STEEL, POLYCARBONATE | OPTIONS: |
| DESIGN LOAD (LBS): | 306 UP, 372 DOWN, 253 SIDE (LANDSCAPE) | 32 MM FRAMES |
| ULTIMATE LOAD (LBS): | N/A | 35 MM FRAMES |
| TORQUE SPECIFICATION: | 12 LB-FT | 38 MM FRAMES |
| CERTIFICATION: | UL 2703, FILE E359313 | 40 MM FRAMES |
| WEIGHT (LBS): | 0.78-0.79 | |

DESCRIPTION:

SNAPRACK, A MOUNT

DRAWN BY:

mwatkins

REVISION:

A

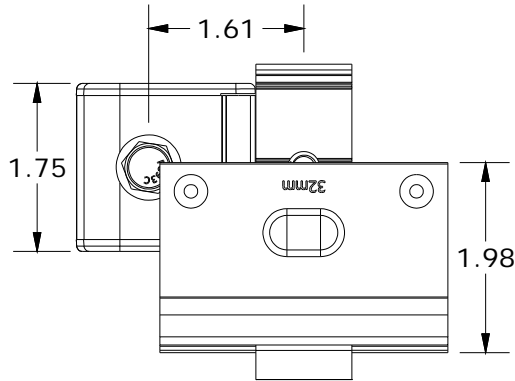


PART NUMBER(S):

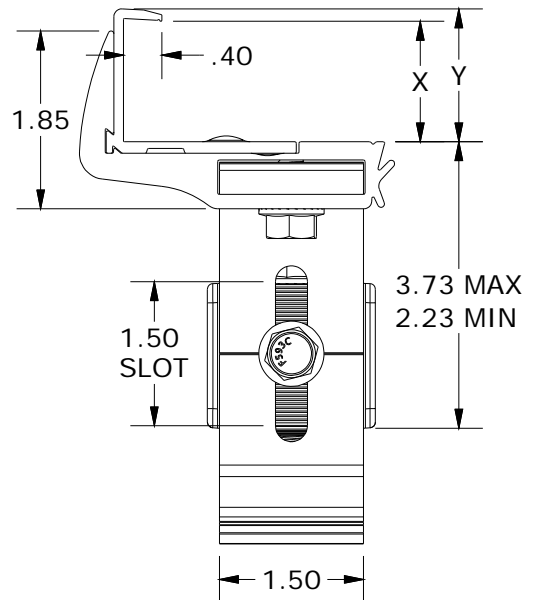
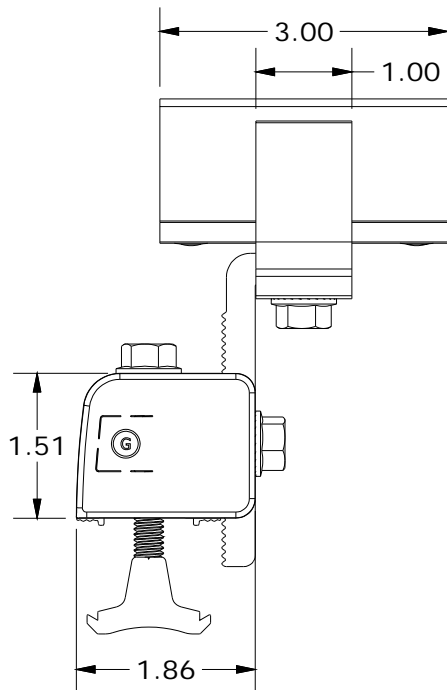
242-92332, 242-92335, 242-92338, 242-92340

595 MARKET STREET, 29TH FLOOR • SAN FRANCISCO, CA 94105 USA
PHONE (415) 580-6900 • FAX (415) 580-6902

THE INFORMATION IN THIS DRAWING IS CONFIDENTIAL AND PROPRIETARY. ANY REPRODUCTION, DISCLOSURE, OR USE THEREOF IS PROHIBITED WITHOUT THE WRITTEN CONSENT OF SUNRUN SOUTH LLC.



| A MOUNT PROPERTIES | | | |
|--------------------|--------------|------|------|
| SKU | MODULE FRAME | X | Y |
| 242-92332 | 32 MM | 1.26 | 1.39 |
| 242-92335 | 35 MM | 1.38 | 1.51 |
| 242-92338 | 38 MM | 1.50 | 1.63 |
| 242-92340 | 40 MM | 1.57 | 1.70 |



ALL DIMENSIONS IN INCHES