

DESCRIPTION:  
**SNAPNRACK, ARRAY EDGE SCREEN CLIP, 4"**

PART NUMBER(S):  
**232-03993**

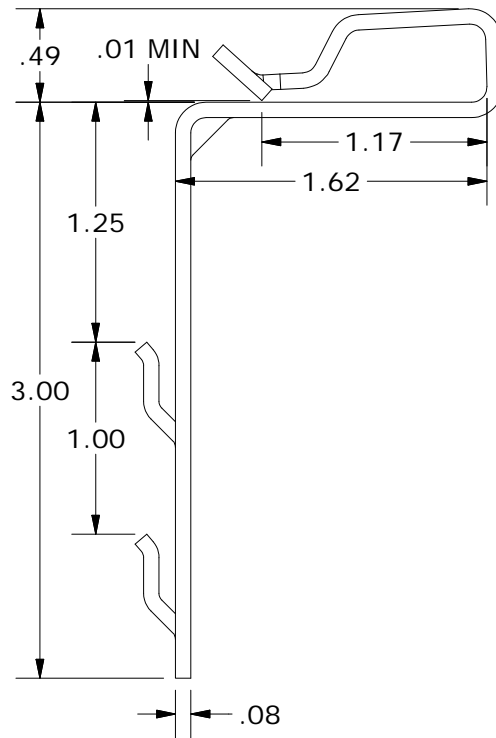
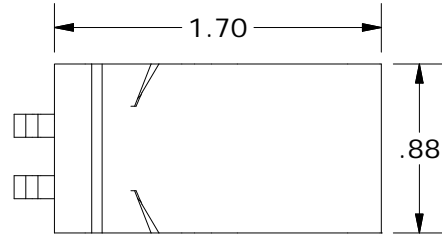
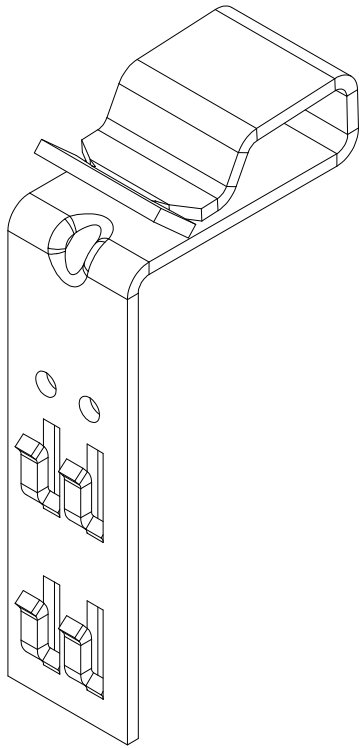
DRAWN BY:  
 mwatkins

REVISION:  
**A**

**SnapNrack™**  
 Solar Mounting Solutions

595 MARKET STREET, 29TH FLOOR • SAN FRANCISCO, CA 94105 USA  
 PHONE (415) 580-6900 • FAX (415) 580-6902

THE INFORMATION IN THIS DRAWING IS CONFIDENTIAL AND PROPRIETARY. ANY REPRODUCTION, DISCLOSURE, OR USE THEREOF IS PROHIBITED WITHOUT THE WRITTEN CONSENT OF SUNRUN SOUTH LLC.



ALL DIMENSIONS IN INCHES

MATERIALS:	GALVANIZED SPRING STEEL (PAINTED BLACK)	OPTIONS:
DESIGN LOAD (LBS):	N/A	
ULTIMATE LOAD (LBS):	N/A	
TORQUE SPECIFICATION:	N/A LB-FT	
CERTIFICATION:	N/A	
WEIGHT (LBS):	0.13	