

DESCRIPTION:
SNAPNRACK, ARRAY SKIRT, 162"

PART NUMBER(S):
232-01259

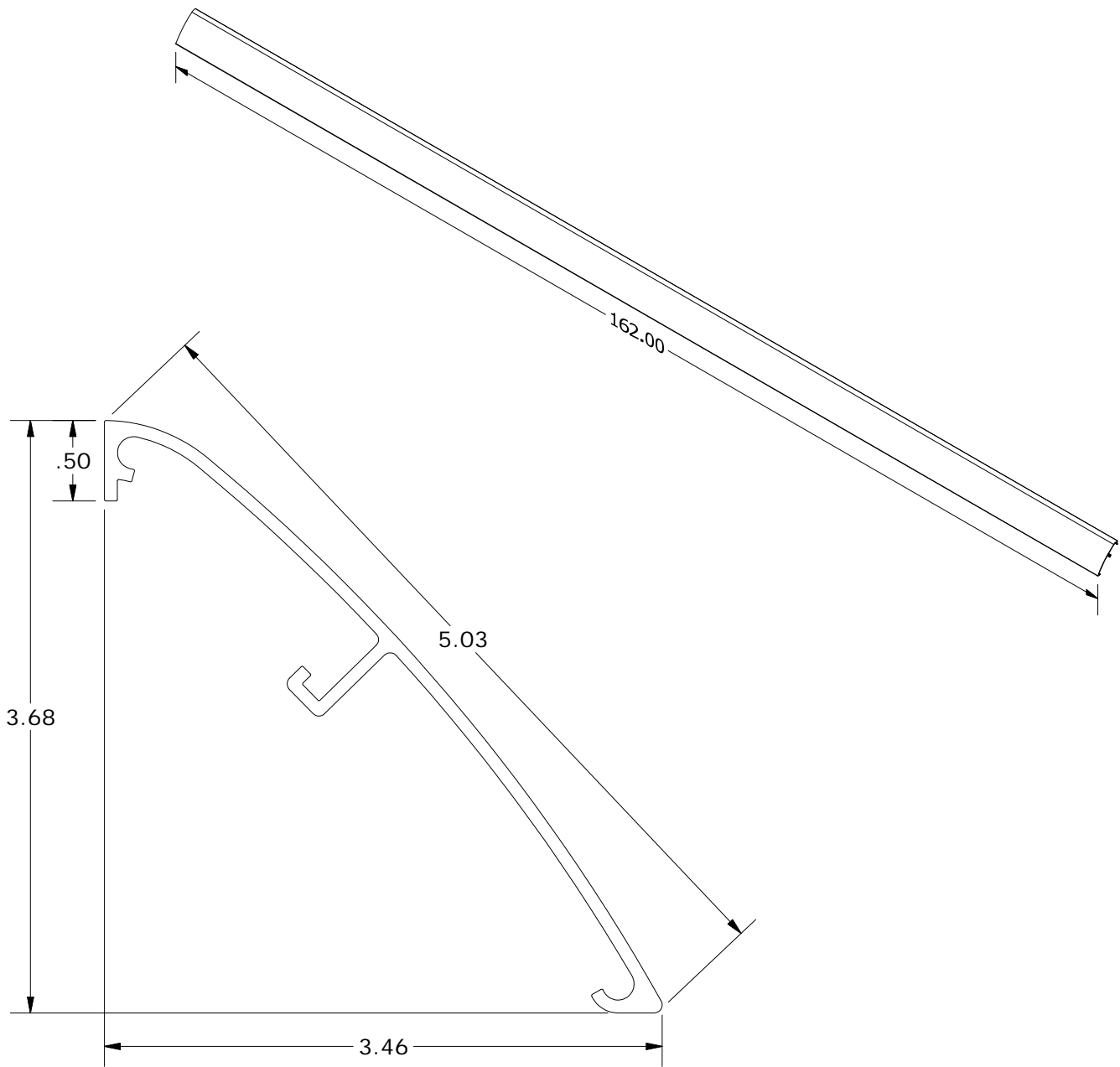
DRAWN BY:
 D.Ryan

REVISION:
A

SnapNrack™
 Solar Mounting Solutions

595 MARKET STREET, 29TH FLOOR • SAN FRANCISCO, CA 94105 USA
 PHONE (415) 580-6900 • FAX (415) 580-6902

THE INFORMATION IN THIS DRAWING IS CONFIDENTIAL AND PROPRIETARY. ANY REPRODUCTION, DISCLOSURE, OR USE THEREOF IS PROHIBITED WITHOUT THE WRITTEN CONSENT OF SUNRUN SOUTH LLC.



ALL DIMENSIONS IN INCHES

MATERIALS:	6000 SERIES ALUMINUM	OPTIONS:
DESIGN LOAD (LBS):	N/A	BLACK ANODIZED
ULTIMATE LOAD (LBS):	N/A	
TORQUE SPECIFICATION:	N/A LB-FT	
CERTIFICATION:	UL 2703, FILE E359313	
WEIGHT (LBS):	9.00	