

DESCRIPTION:

SNAPRACK, BONDING ADJUSTABLE END CLAMP

DRAWN BY:

M.Watkins

REVISION:

A

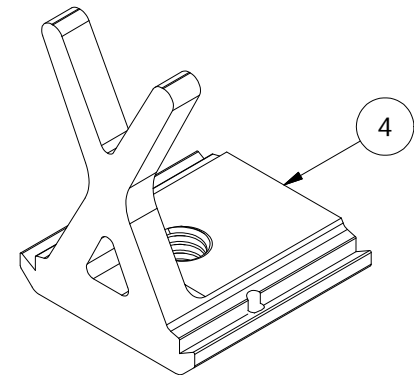
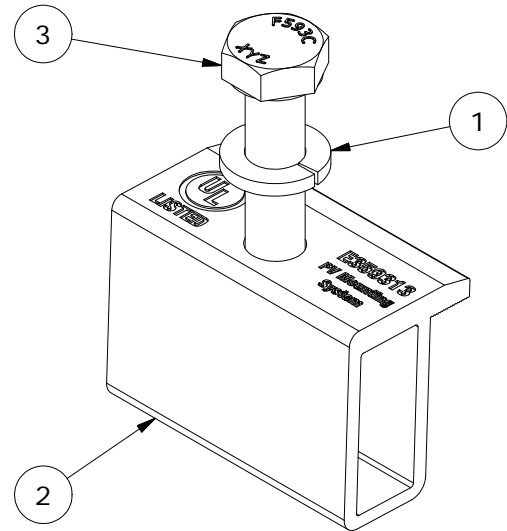
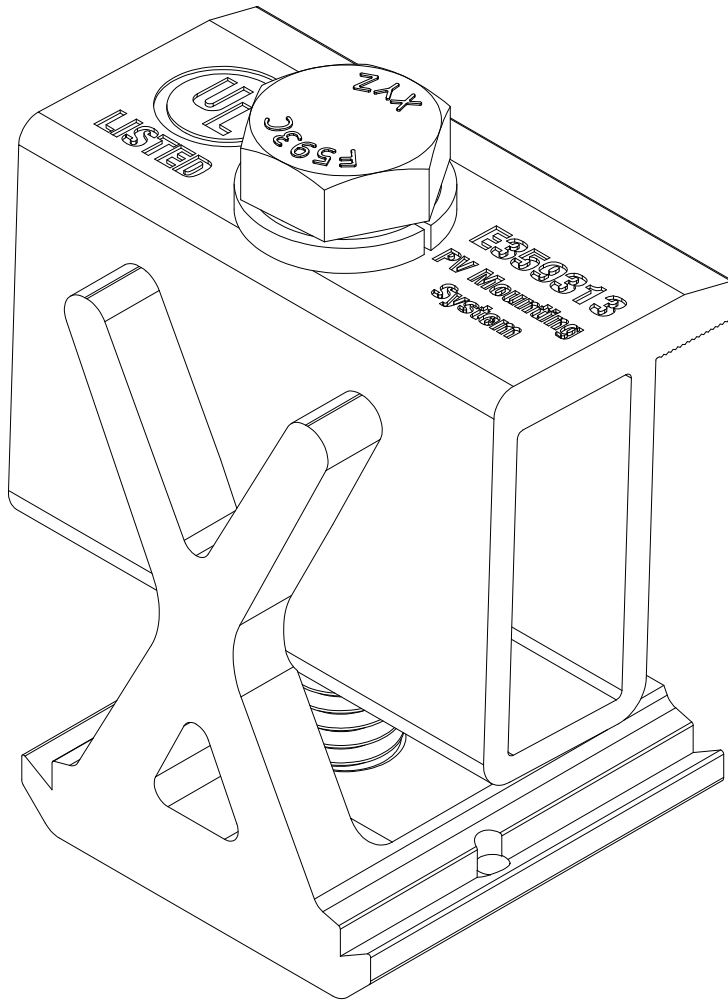
SnapNrack™
Solar Mounting Solutions

PART NUMBER(S):

242-02065, 242-02066, 242-02067, 242-02068

595 MARKET STREET, 29TH FLOOR • SAN FRANCISCO, CA 94105 USA
PHONE (415) 580-6900 • FAX (415) 580-6902

THE INFORMATION IN THIS DRAWING IS CONFIDENTIAL AND PROPRIETARY. ANY REPRODUCTION, DISCLOSURE, OR USE THEREOF IS PROHIBITED WITHOUT THE WRITTEN CONSENT OF SUNRUN SOUTH LLC.



PARTS LIST

ITEM	QTY	DESCRIPTION
1	1	5/16IN SS SPLIT LOCK WASHER
2	1	SNAPRACK, BONDING ADJUSTABLE END CLAMP TOP, CLEAR / BLACK
3	1	5/16IN-18 SS HCS BOLT, LENGTH VARIES, CLEAR / BLACK
4	1	SNAPRACK, BONDING ADJUSTABLE END CLAMP BASE, CLEAR / BLACK

MATERIALS:

6000 SERIES ALUMINUM, STAINLESS STEEL

OPTIONS:

DESIGN LOAD (LBS):

800

CLEAR / BLACK ANODIZED

ULTIMATE LOAD (LBS):

2400

TORQUE SPECIFICATION:

10+ LB-FT

CERTIFICATION:

UL 2703, FILE E359313

WEIGHT (LBS):

0.17 - 0.19

DESCRIPTION:

SNAPNRACK, BONDING ADJUSTABLE END CLAMP

PART NUMBER(S):

242-02065, 242-02066, 242-02067, 242-02068

DRAWN BY:

M. Watkins

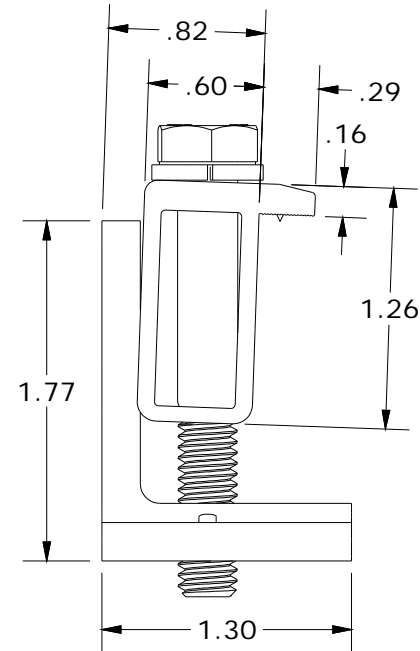
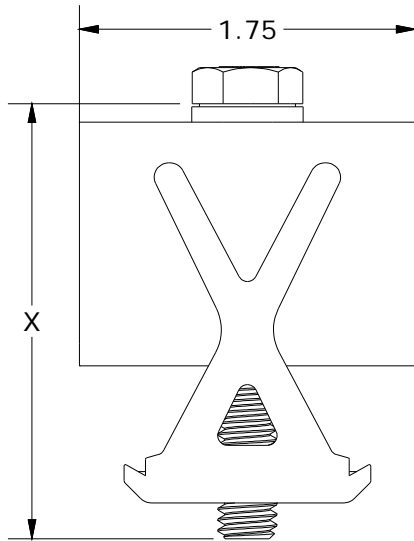
REVISION:

A

SnapNrack™
Solar Mounting Solutions

595 MARKET STREET, 29TH FLOOR • SAN FRANCISCO, CA 94105 USA
PHONE (415) 580-6900 • FAX (415) 580-6902

THE INFORMATION IN THIS DRAWING IS CONFIDENTIAL AND PROPRIETARY. ANY REPRODUCTION, DISCLOSURE, OR USE THEREOF IS PROHIBITED WITHOUT THE WRITTEN CONSENT OF SUNRUN SOUTH LLC.



ADJUSTABLE END CLAMP PROPERTIES		
SKU	BOLT LENGTH (X)	FINISH
242-02065	2.25"	CLEAR
242-02066	2.75"	CLEAR
242-02067	2.25"	BLACK
242-02038	2.75"	BLACK

ALL DIMENSIONS IN INCHES