

DESCRIPTION:
SNAPNRACK, BONDING PIPE CLAMP FOR 1-1/2"

PART NUMBER(S):
242-09004

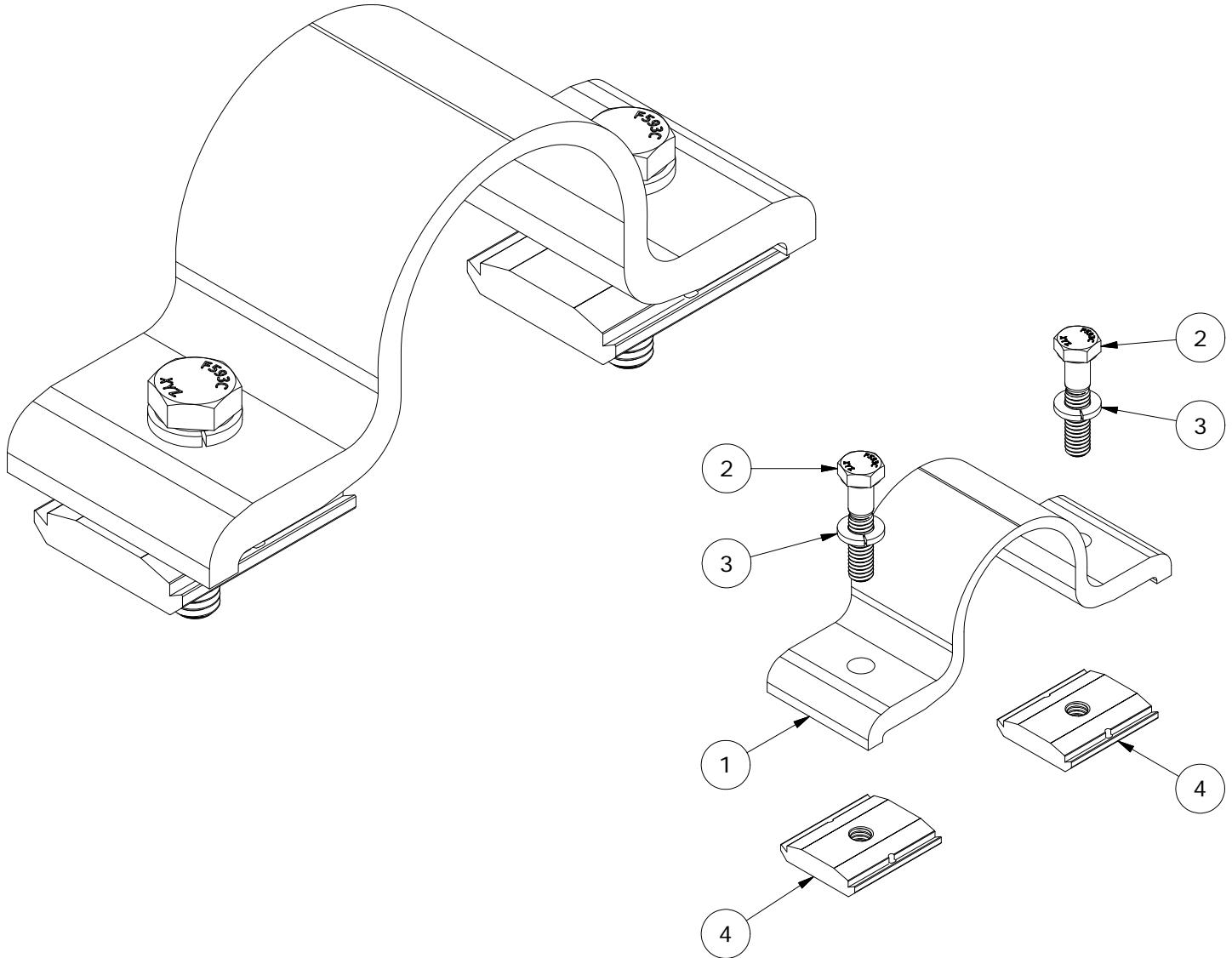
DRAWN BY:
 D. Ryan

REVISION:
A

SnapNrack™
 Solar Mounting Solutions

595 MARKET STREET, 29TH FLOOR • SAN FRANCISCO, CA 94105 USA
 PHONE (415) 580-6900 • FAX (415) 580-6902

THE INFORMATION IN THIS DRAWING IS CONFIDENTIAL AND PROPRIETARY. ANY REPRODUCTION, DISCLOSURE, OR USE THEREOF IS PROHIBITED WITHOUT THE WRITTEN CONSENT OF SUNRUN SOUTH LLC.



PARTS LIST		
ITEM	QTY	DESCRIPTION
1	1	SNAPNRACK, PIPE CLAMP FOR 1-1/2IN, MILL
2	2	BOLT, HEX CAP, 5/16IN-18 X 1-1/2IN, SS
3	2	5/16IN SS SPLIT LOCK WASHER
4	2	SNAPNRACK, BONDING CHANNEL NUT

MATERIALS:	6000 SERIES ALUMINUM, STAINLESS STEEL	OPTIONS:
DESIGN LOAD (LBS):	800 UP	
TEST LOAD (LBS):	4360 UP (ULTIMATE LOAD NOT REACHED)	
TORQUE SPECIFICATION:	12 LB-FT	
CERTIFICATION:	UL 2703, FILE E359313	
WEIGHT (LBS):	0.48	

DESCRIPTION:

SNAPNRACK, BONDING PIPE CLAMP FOR 1-1/2"

DRAWN BY:

D. Ryan

SnapNrack™
Solar Mounting Solutions

PART NUMBER(S):

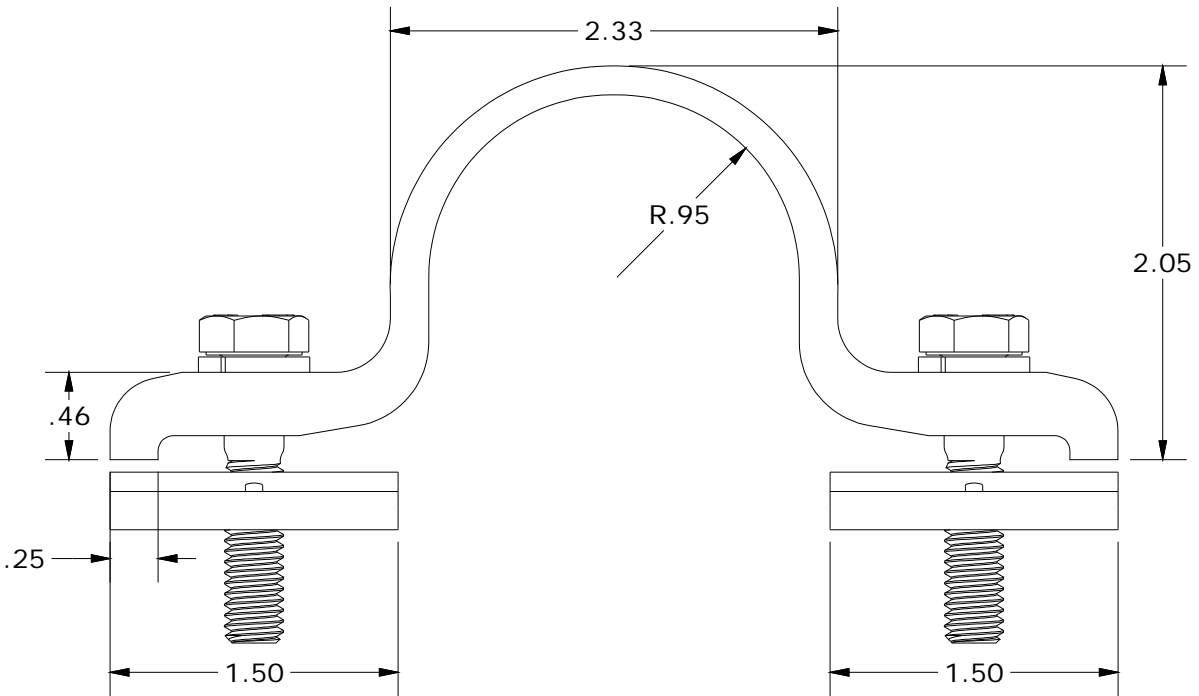
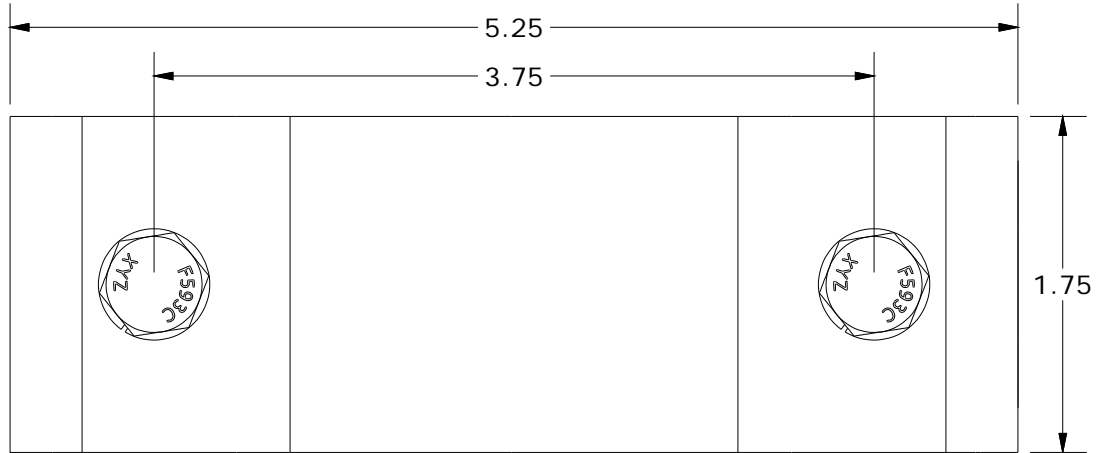
242-09004

REVISION:

A

595 MARKET STREET, 29TH FLOOR • SAN FRANCISCO, CA 94105 USA
PHONE (415) 580-6900 • FAX (415) 580-6902

THE INFORMATION IN THIS DRAWING IS CONFIDENTIAL AND PROPRIETARY. ANY REPRODUCTION, DISCLOSURE, OR USE THEREOF IS PROHIBITED WITHOUT THE WRITTEN CONSENT OF SUNRUN SOUTH LLC.



ALL DIMENSIONS IN INCHES