

DESCRIPTION:

SNAPNRACK, C LINK

DRAWN BY:

mwatkins

SnapNrack™
Solar Mounting Solutions

PART NUMBER(S):

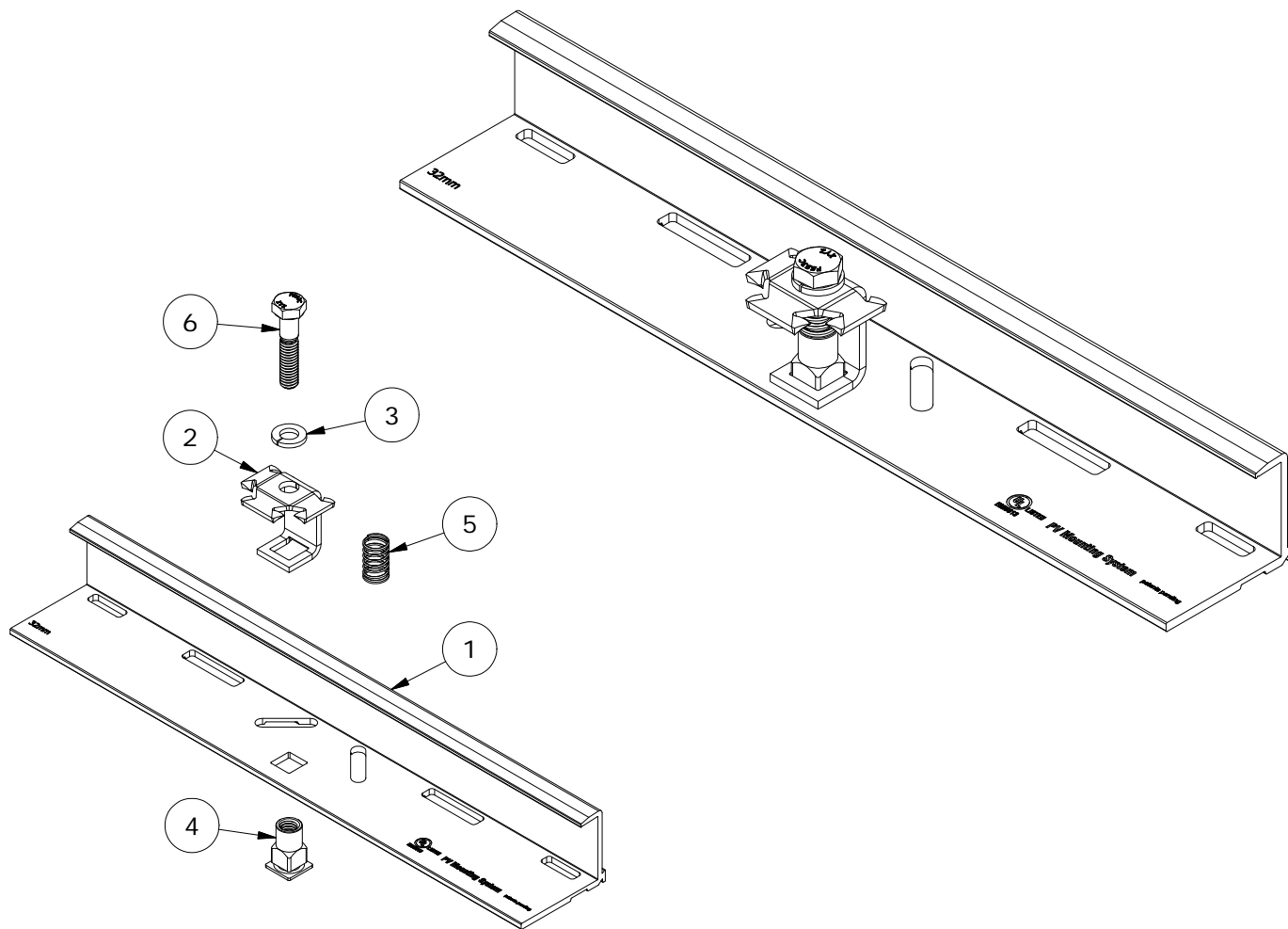
242-92532, 242-92535, 242-92538, 242-92540

REVISION:

A

595 MARKET STREET, 29TH FLOOR • SAN FRANCISCO, CA 94105 USA
PHONE (415) 580-6900 • FAX (415) 580-6902

THE INFORMATION IN THIS DRAWING IS CONFIDENTIAL AND PROPRIETARY. ANY REPRODUCTION, DISCLOSURE, OR USE THEREOF IS PROHIBITED WITHOUT THE WRITTEN CONSENT OF SUNRUN SOUTH LLC.



PARTS LIST

ITEM	QTY	DESCRIPTION
1	1	SNAPNRACK, C LINK PRC, BLACK
2	1	SNAPNRACK, C LINK CLAMP, SS
3	1	5-16IN SS SPLIT LOCK WASHER BLACK
4	1	SNAPNRACK, SELF-CLINCHING STANDOFF, 5/16IN-18, SS
5	1	SNAPNRACK, C LINK SPRING, SS
6	1	5/16IN-18 X 1-1/2IN SS HCS BOLT BLACK

MATERIALS:

6000 SERIES ALUMINUM, STAINLESS STEEL

OPTIONS:

DESIGN LOAD (LBS):

N/A

32 MM FRAMES

ULTIMATE LOAD (LBS):

N/A

35 MM FRAMES

TORQUE SPECIFICATION:

9 LB-FT

38 MM FRAMES

CERTIFICATION:

UL 2703, FILE E359313

40 MM FRAMES

WEIGHT (LBS):

0.59-0.64

DESCRIPTION:

SNAPNRACK, C LINK

DRAWN BY:

mwatkins



PART NUMBER(S):

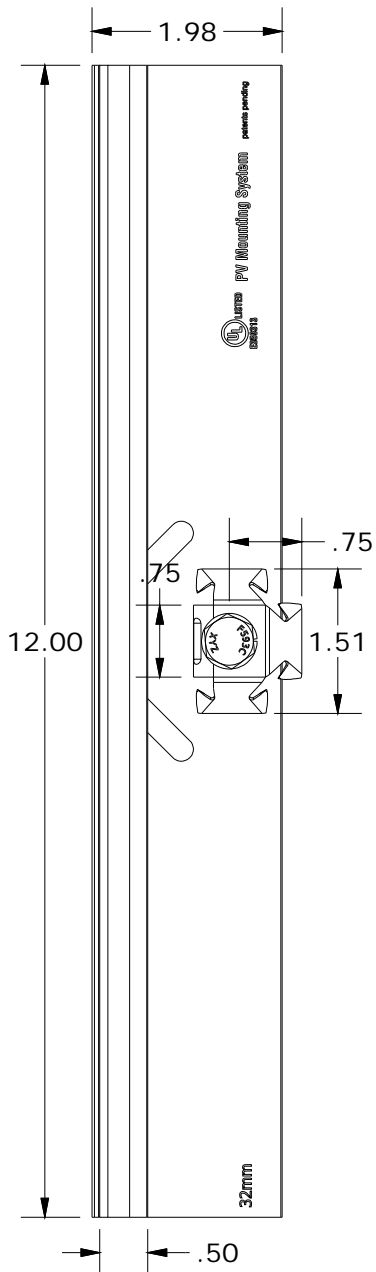
242-92532, 242-92535, 242-92538, 242-92540

REVISION:

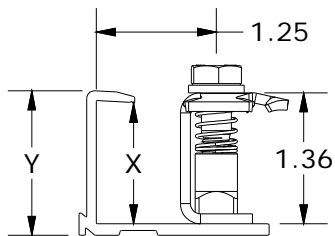
A

595 MARKET STREET, 29TH FLOOR • SAN FRANCISCO, CA 94105 USA
 PHONE (415) 580-6900 • FAX (415) 580-6902

THE INFORMATION IN THIS DRAWING IS CONFIDENTIAL AND PROPRIETARY. ANY REPRODUCTION, DISCLOSURE, OR USE THEREOF IS PROHIBITED WITHOUT THE WRITTEN CONSENT OF SUNRUN SOUTH LLC.



C LINK PROPERTIES			
SKU	MODULE FRAME	X	Y
242-92532	32 MM	1.26	1.39
242-92535	35 MM	1.38	1.51
242-92538	38 MM	1.50	1.63
242-92540	40 MM	1.57	1.70



ALL DIMENSIONS IN INCHES