

DESCRIPTION:
SNAPNRACK, CONDUIT SUPPORT COMP SHINGLE

DRAWN BY:
 M. Watkins

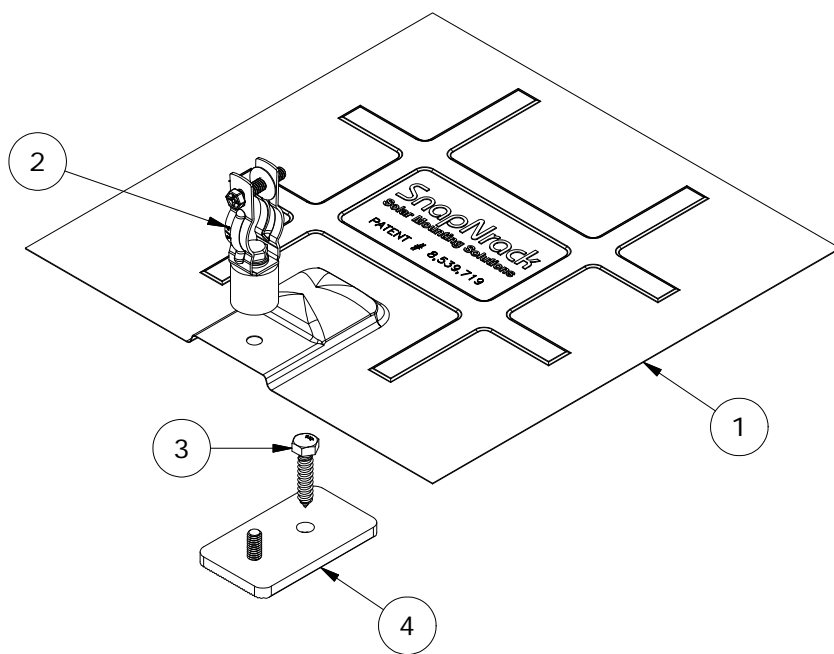
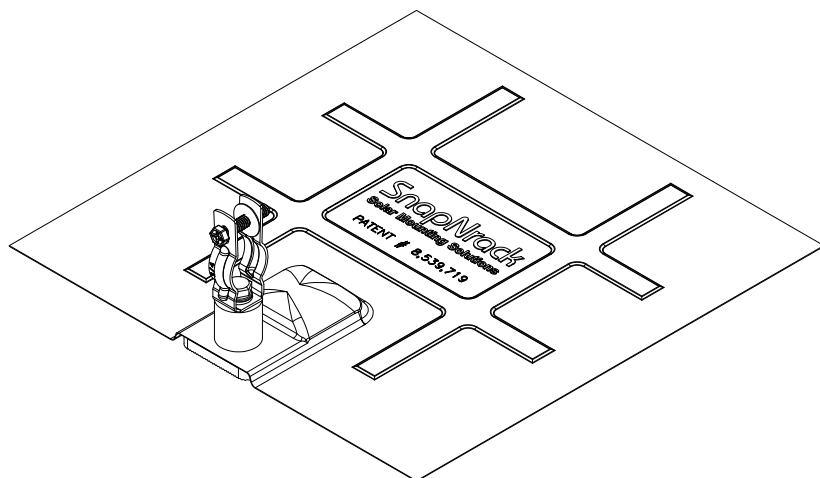


PART NUMBER(S):
242-02106

REVISION:
A

595 MARKET STREET, 29TH FLOOR • SAN FRANCISCO, CA 94105 USA
 PHONE (415) 580-6900 • FAX (415) 580-6902

THE INFORMATION IN THIS DRAWING IS CONFIDENTIAL AND PROPRIETARY. ANY REPRODUCTION, DISCLOSURE, OR USE THEREOF IS PROHIBITED WITHOUT THE WRITTEN CONSENT OF SUNRUN SOUTH LLC.



PARTS LIST

ITEM	QTY	DESCRIPTION
1	1	SNAPNRACK, L FOOT FLASHING, 12IN X 12IN, BLACK GALV
2	1	SNAPNRACK, CONDUIT SUPPORT STANDOFF SUBASSEMBLY
3	1	SCREW, LAG, 5/16IN X 1-1/2IN, HEX, SS
4	1	SNAPNRACK, L FOOT BASE, MILL

MATERIALS:	6000 SERIES ALUMINUM, STAINLESS STEEL, ZINC PLATED STEEL, GALV STEEL
DESIGN LOAD (LBS):	N/A
ULTIMATE LOAD (LBS):	N/A
TORQUE SPECIFICATION:	N/A LB-FT
CERTIFICATION:	N/A
WEIGHT (LBS):	1.11

DESCRIPTION:

SNAPNRACK, CONDUIT SUPPORT COMP SHINGLE

DRAWN BY:

M. Watkins

REVISION:

A

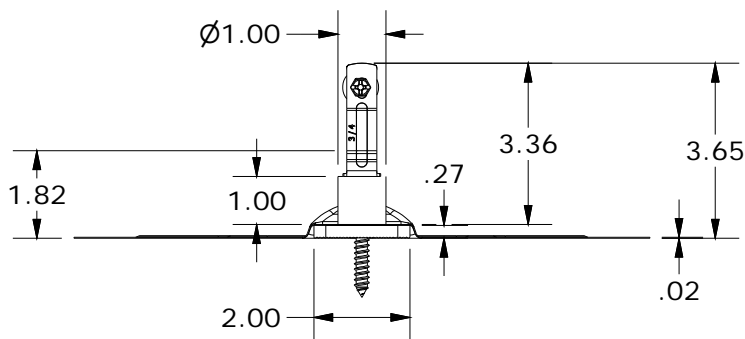
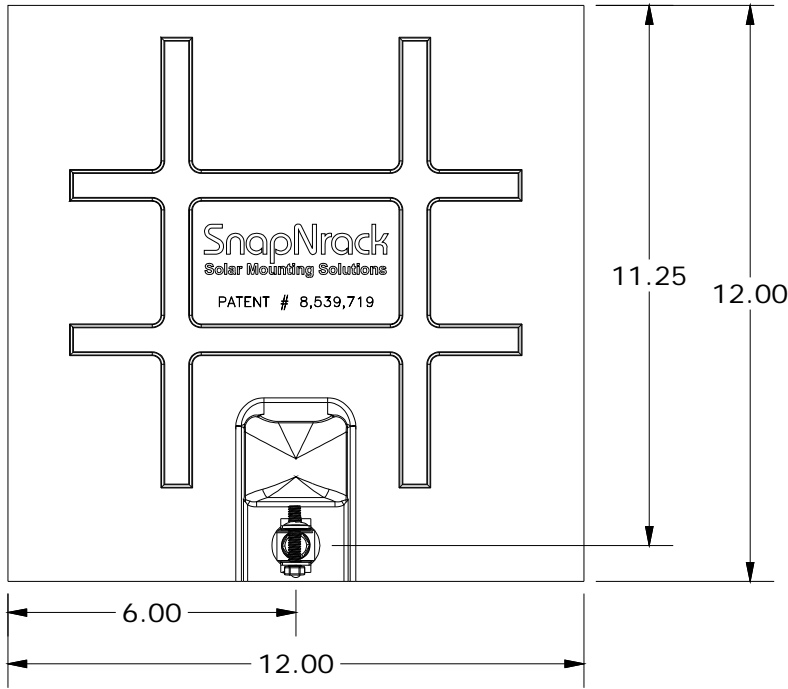
SnapNrack™
Solar Mounting Solutions

PART NUMBER(S):

242-02106

595 MARKET STREET, 29TH FLOOR • SAN FRANCISCO, CA 94105 USA
PHONE (415) 580-6900 • FAX (415) 580-6902

THE INFORMATION IN THIS DRAWING IS CONFIDENTIAL AND PROPRIETARY. ANY REPRODUCTION, DISCLOSURE, OR USE THEREOF IS PROHIBITED WITHOUT THE WRITTEN CONSENT OF SUNRUN SOUTH LLC.



ALL DIMENSIONS IN INCHES