

DESCRIPTION:
SNAPNRACK, CONDUIT SUPPORT TILE HOOK

PART NUMBER(S):
242-02104

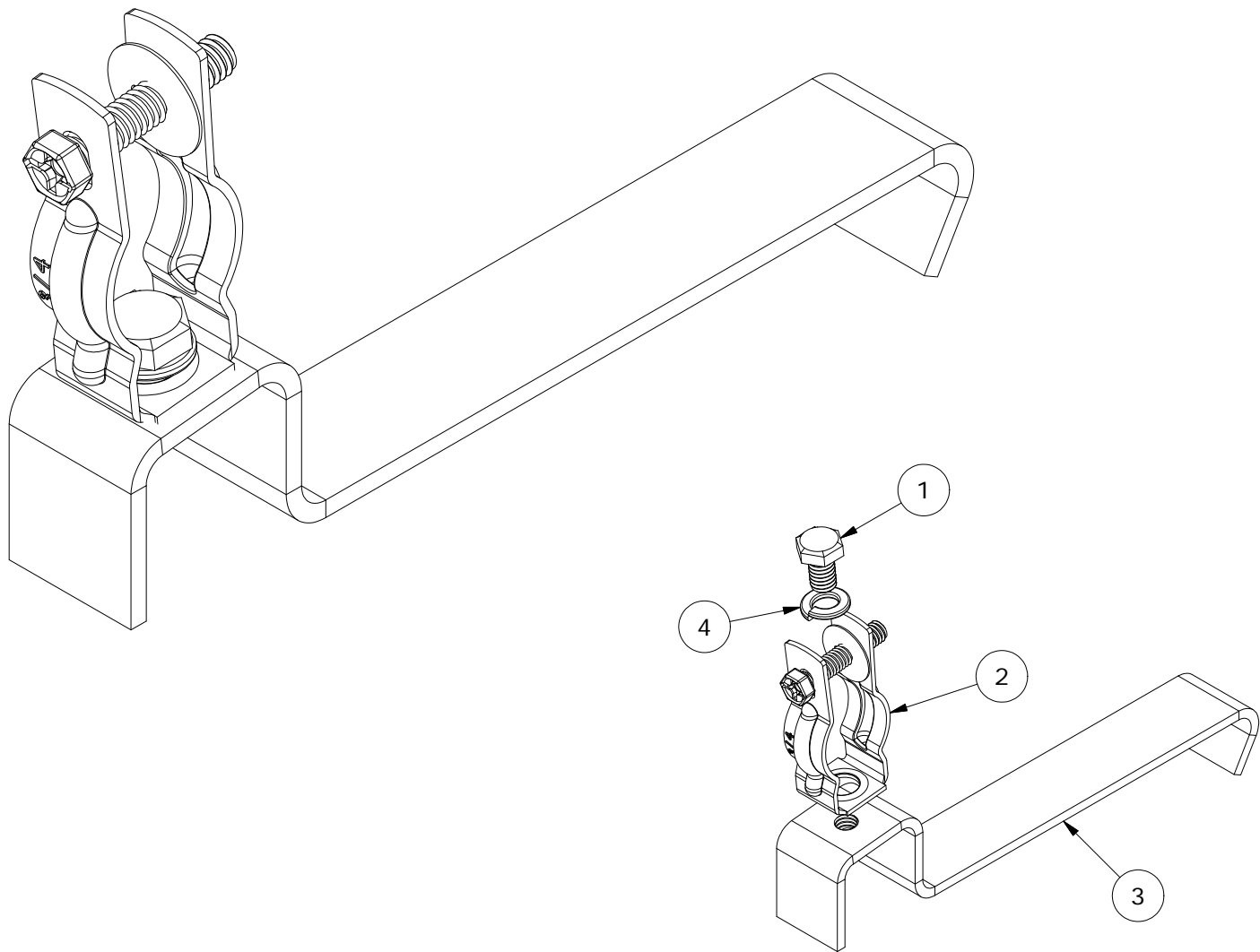
DRAWN BY:
 M. Watkins

REVISION:
A

SnapNrack™
 Solar Mounting Solutions

595 MARKET STREET, 29TH FLOOR • SAN FRANCISCO, CA 94105 USA
 PHONE (415) 580-6900 • FAX (415) 580-6902

THE INFORMATION IN THIS DRAWING IS CONFIDENTIAL AND PROPRIETARY. ANY REPRODUCTION, DISCLOSURE, OR USE THEREOF IS PROHIBITED WITHOUT THE WRITTEN CONSENT OF SUNRUN SOUTH LLC.



PARTS LIST

| ITEM | QTY | DESCRIPTION |
|------|-----|--|
| 1 | 1 | BOLT, HEX CAP, 5/16IN-18 X 1/2IN, SS |
| 2 | 1 | CONDUIT SUPPORT, 3/4IN RIGID-EMT, 3/8IN HOLE, HANGER-BOLT-NUTLESS, ZINC PLATED STEEL |
| 3 | 1 | SNAPNRACK, CONDUIT TILE HOOK PRC |
| 4 | 1 | WASHER, LOCK, 5/16IN, SPLIT, SS |

| | |
|-----------------------|--|
| MATERIALS: | 6000 SERIES ALUMINUM, STAINLESS STEEL, ZINC PLATED STEEL |
| DESIGN LOAD (LBS): | N/A |
| ULTIMATE LOAD (LBS): | N/A |
| TORQUE SPECIFICATION: | N/A LB-FT |
| CERTIFICATION: | N/A |
| WEIGHT (LBS): | 0.20 |

DESCRIPTION:
SNAPNRACK, CONDUIT SUPPORT TILE HOOK

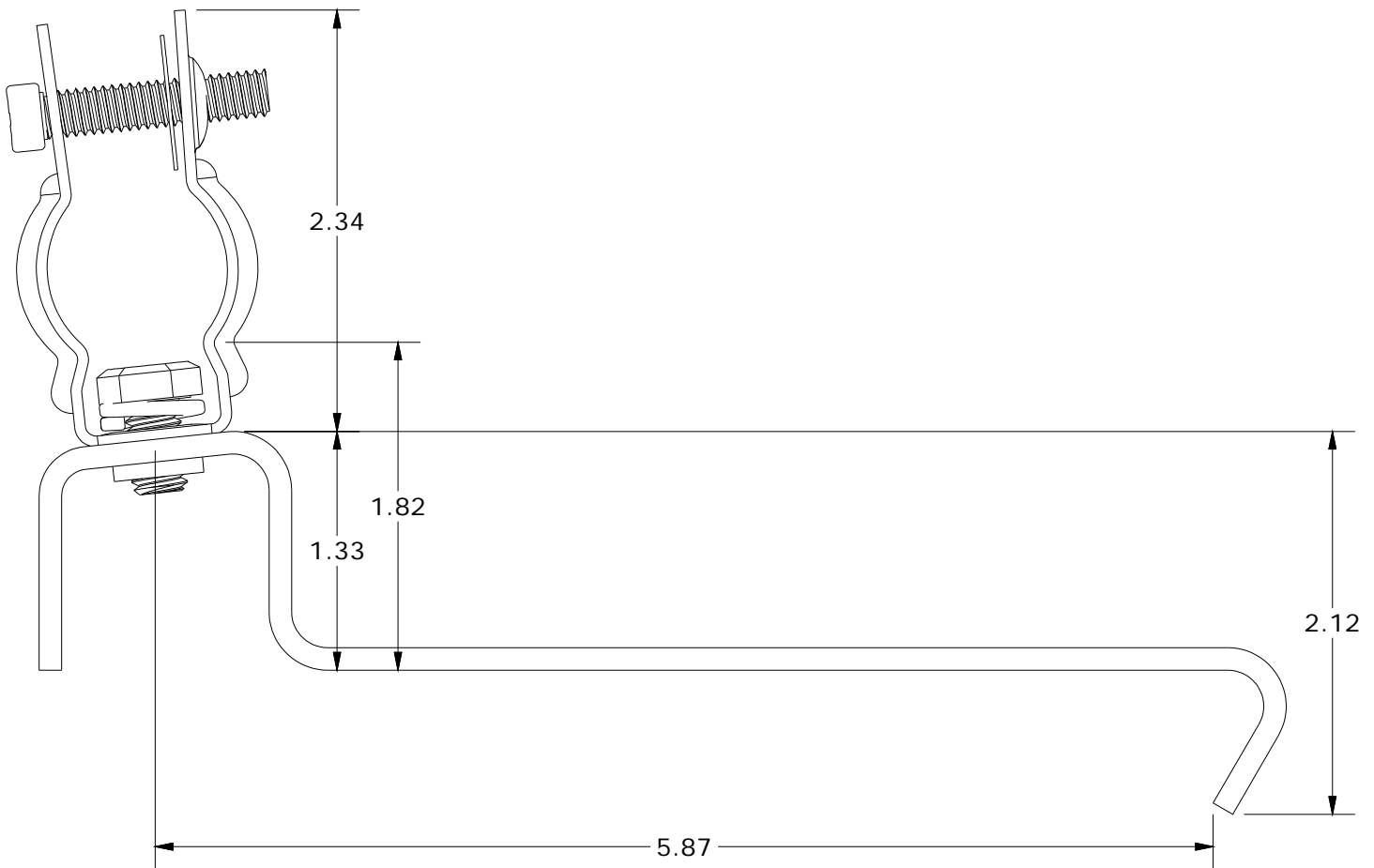
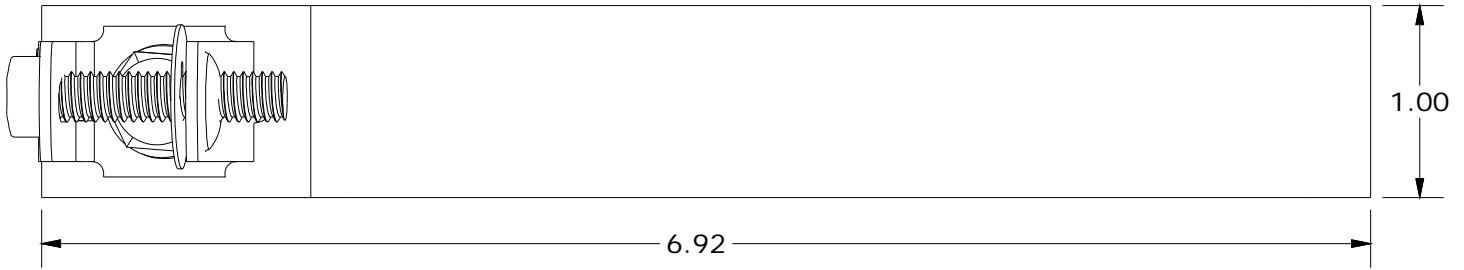
DRAWN BY:
M. Watkins



PART NUMBER(S):
242-02104

REVISION:
A

595 MARKET STREET, 29TH FLOOR • SAN FRANCISCO, CA 94105 USA
PHONE (415) 580-6900 • FAX (415) 580-6902
THE INFORMATION IN THIS DRAWING IS CONFIDENTIAL AND PROPRIETARY. ANY REPRODUCTION, DISCLOSURE, OR USE THEREOF IS PROHIBITED WITHOUT THE WRITTEN CONSENT OF SUNRUN SOUTH LLC.



ALL DIMENSIONS IN INCHES