

DESCRIPTION:  
**SNAPNRACK, CORRUGATED STRADDLE BLOCK**

PART NUMBER(S):  
**242-02046**

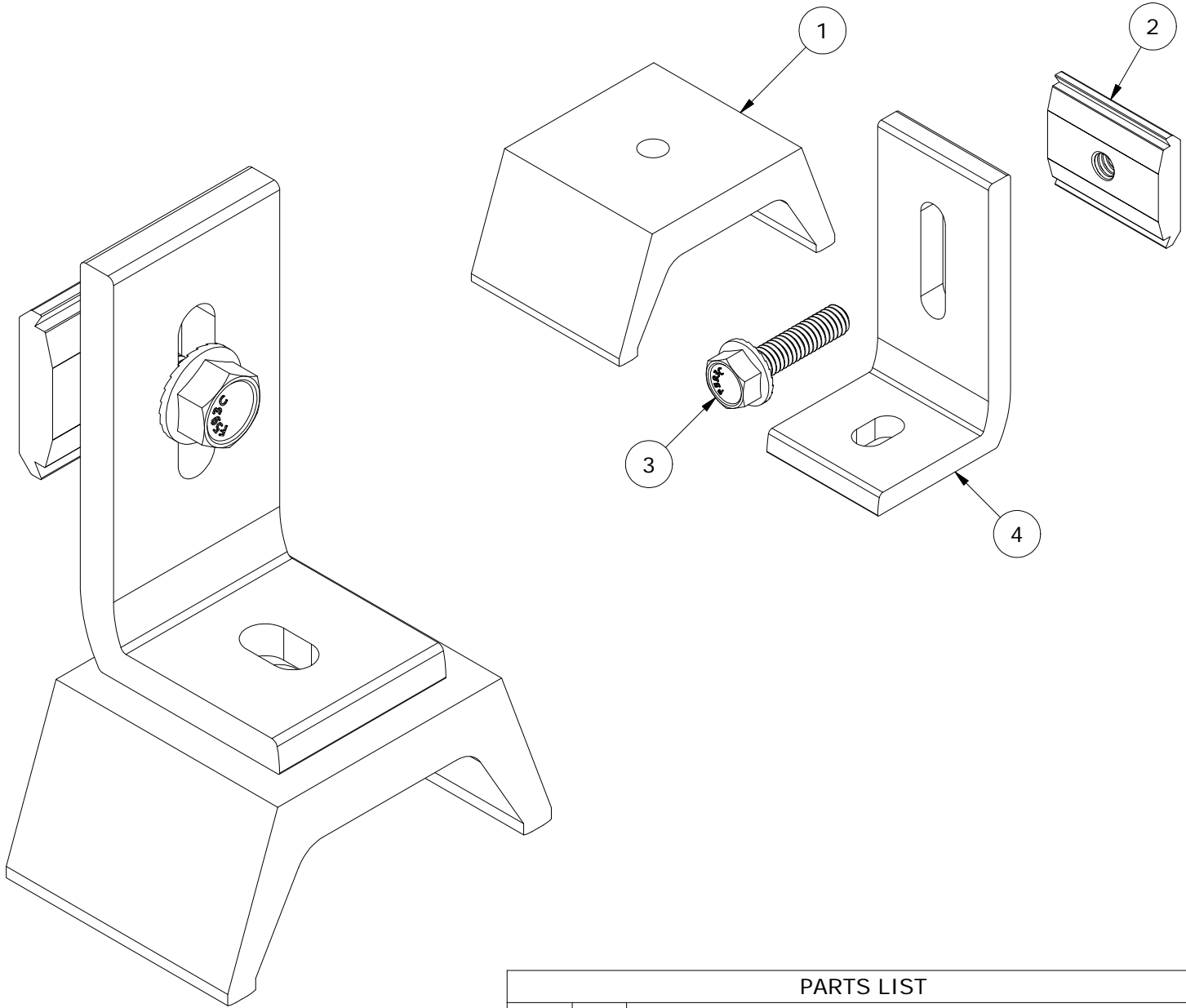
DRAWN BY:  
 D.Ryan

REVISION:  
**B**

**SnapNrack™**  
 Solar Mounting Solutions

595 MARKET STREET, 29TH FLOOR • SAN FRANCISCO, CA 94105 USA  
 PHONE (415) 580-6900 • FAX (415) 580-6902

THE INFORMATION IN THIS DRAWING IS CONFIDENTIAL AND PROPRIETARY. ANY REPRODUCTION, DISCLOSURE, OR USE THEREOF IS PROHIBITED WITHOUT THE WRITTEN CONSENT OF SUNRUN SOUTH LLC.



PARTS LIST		
ITEM	QTY	DESCRIPTION
1	1	SNAPNRACK, CORRUGATED STRADDLE BLOCK, MILL
2	1	SNAPNRACK CHANNEL NUT 5/16IN-18
3	1	BOLT, FLANGED HEX, 5/16IN-18 X 1-1/4IN, SS
4	1	SNAPNRACK, AP90 L FOOT PRC, CLEAR

MATERIALS:	6000 SERIES ALUMINUM, STAINLESS STEEL	OPTIONS:
DESIGN LOAD (LBS):	405 UP, 788 DOWN, 236 SIDE	
ULTIMATE LOAD (LBS):	1148 UP, 5031 DOWN, 971 SIDE	
TORQUE SPECIFICATION:	10+ LB-FT	
CERTIFICATION:	UL 2703, FILE E359313	
WEIGHT (LBS):	0.56	

DESCRIPTION:  
SNAPNRACK, CORRUGATED STRADDLE BLOCK

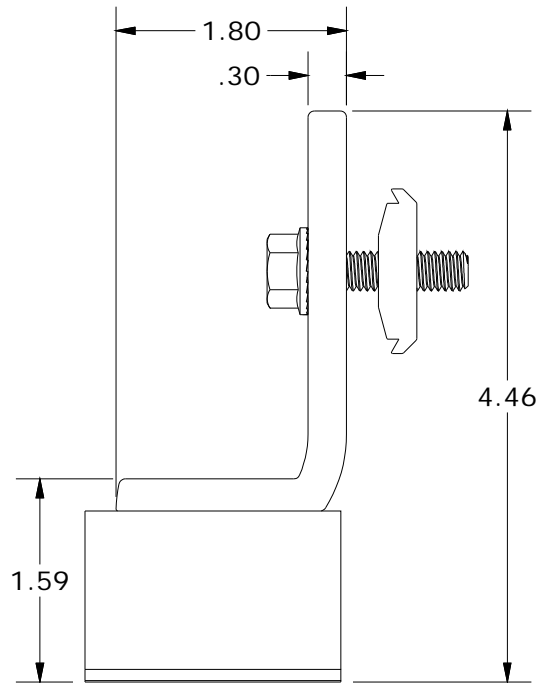
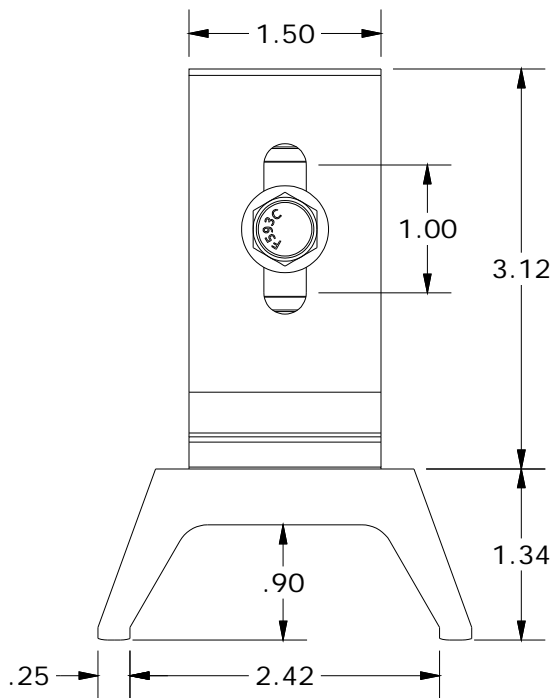
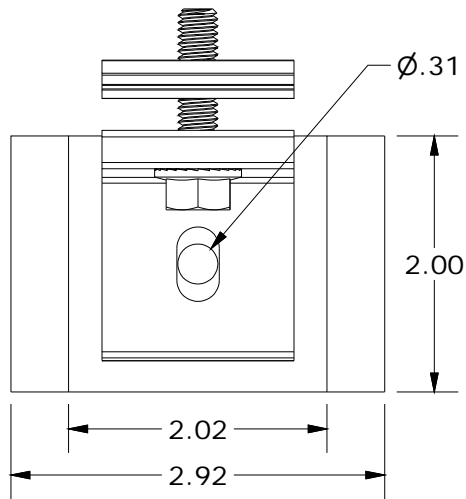
DRAWN BY:  
D.Ryan

SnapNrack™  
Solar Mounting Solutions

PART NUMBER(S):  
242-02046

REVISION:  
B

595 MARKET STREET, 29TH FLOOR • SAN FRANCISCO, CA 94105 USA  
PHONE (415) 580-6900 • FAX (415) 580-6902  
THE INFORMATION IN THIS DRAWING IS CONFIDENTIAL AND PROPRIETARY. ANY REPRODUCTION, DISCLOSURE, OR USE THEREOF IS PROHIBITED WITHOUT THE WRITTEN CONSENT OF SUNRUN SOUTH LLC.



ALL DIMENSIONS IN INCHES