

DESCRIPTION:
SNAPRACK, FLAT TILE HOOK

PART NUMBER(S):
242-02045

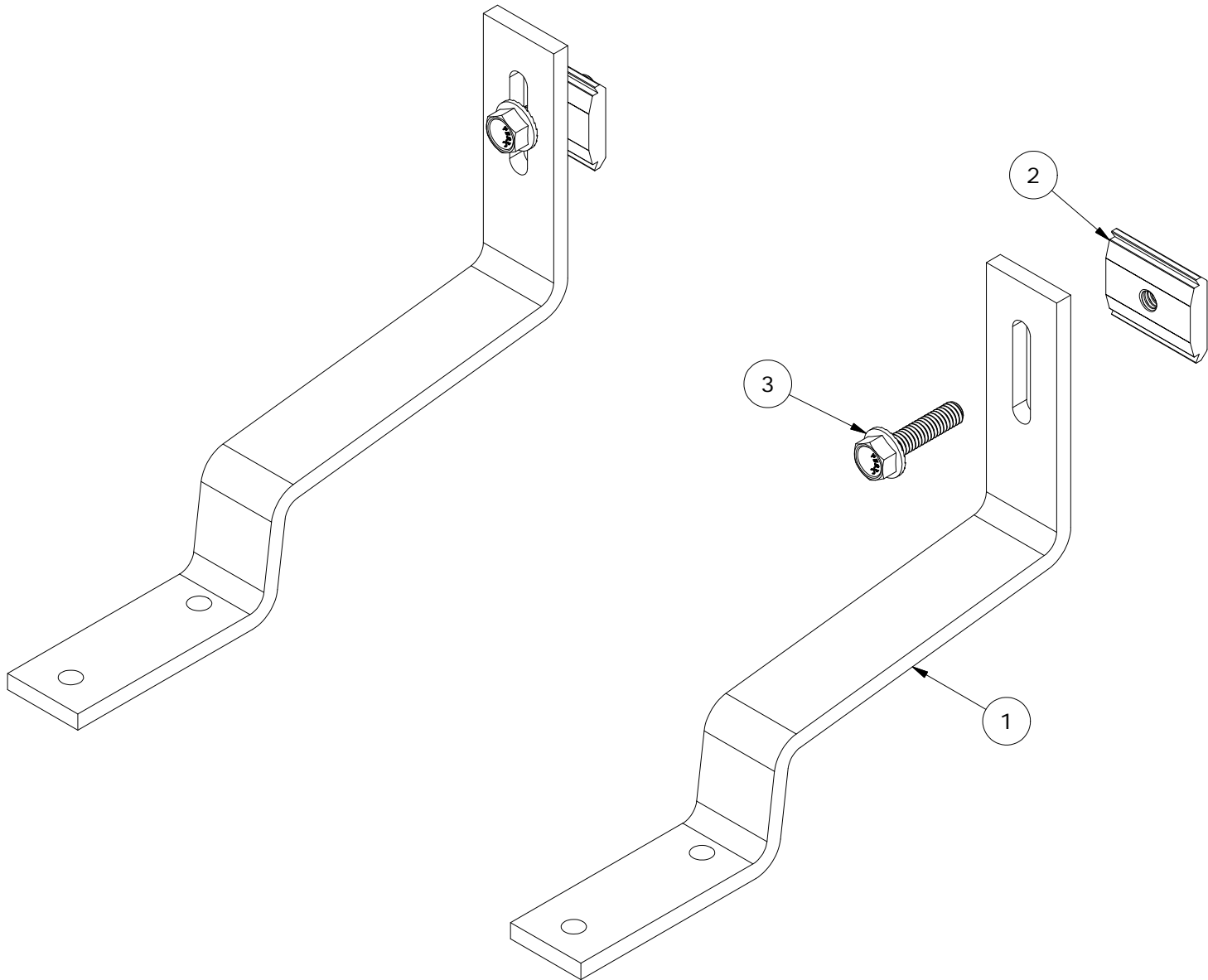
DRAWN BY:
 M.Watkins

REVISION:
A

SnapNrack™
 Solar Mounting Solutions

595 MARKET STREET, 29TH FLOOR • SAN FRANCISCO, CA 94105 USA
 PHONE (415) 580-6900 • FAX (415) 580-6902

THE INFORMATION IN THIS DRAWING IS CONFIDENTIAL AND PROPRIETARY. ANY REPRODUCTION, DISCLOSURE, OR USE THEREOF IS PROHIBITED WITHOUT THE WRITTEN CONSENT OF SUNRUN SOUTH LLC.



PARTS LIST		
ITEM	QTY	DESCRIPTION
1	1	SNAPRACK, FLAT TILE HOOK PRC, SS
2	1	SNAPRACK CHANNEL NUT 5/16IN-18
3	1	BOLT, FLANGED HEX, 5/16IN-18 X 1-1/4IN, SS

MATERIALS:	6000 SERIES ALUMINUM, STAINLESS STEEL	OPTIONS:
DESIGN LOAD (LBS):	318 UP, 394 DOWN, 417 SIDE	
ULTIMATE LOAD (LBS):	796 UP, 591 DOWN, 1500 SIDE	
TORQUE SPECIFICATION:	12 LB-FT	
CERTIFICATION:	UL 2703, FILE E359313	
WEIGHT (LBS):	1.29	

DESCRIPTION:

SNAPRACK, FLAT TILE HOOK

DRAWN BY:

M. Watkins

REVISION:

A

SnapNrack™

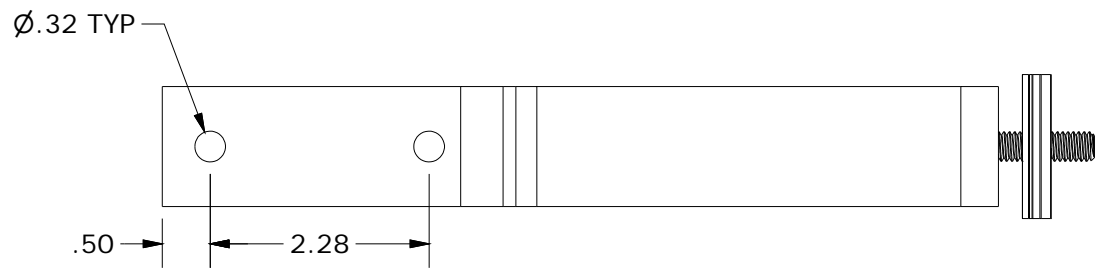
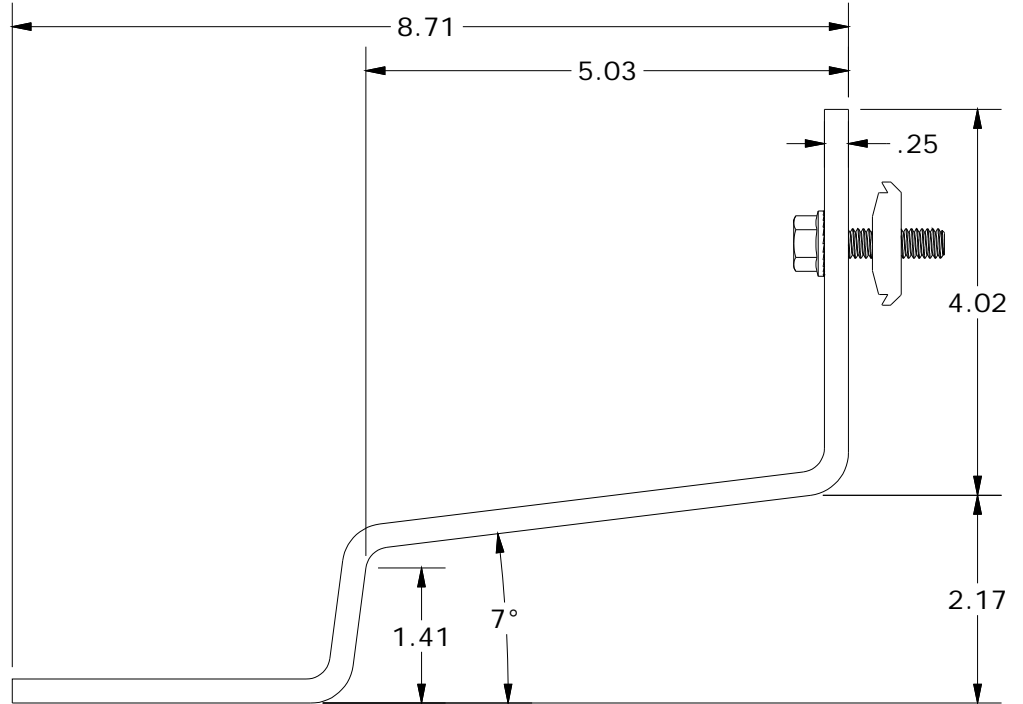
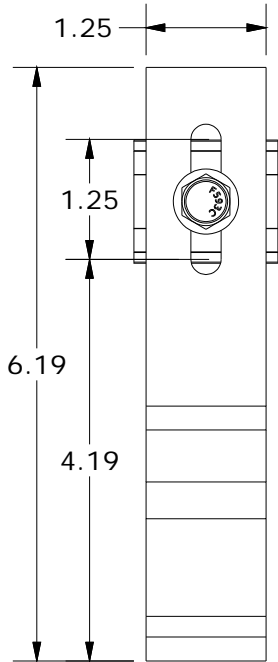
Solar Mounting Solutions

PART NUMBER(S):

242-02045

595 MARKET STREET, 29TH FLOOR • SAN FRANCISCO, CA 94105 USA
PHONE (415) 580-6900 • FAX (415) 580-6902

THE INFORMATION IN THIS DRAWING IS CONFIDENTIAL AND PROPRIETARY. ANY REPRODUCTION, DISCLOSURE, OR USE THEREOF IS PROHIBITED WITHOUT THE WRITTEN CONSENT OF SUNRUN SOUTH LLC.



ALL DIMENSIONS IN INCHES