

DESCRIPTION:  
**SNAPNRACK, FLAT TILE L FOOT KIT**

PART NUMBER(S):  
**242-01110**

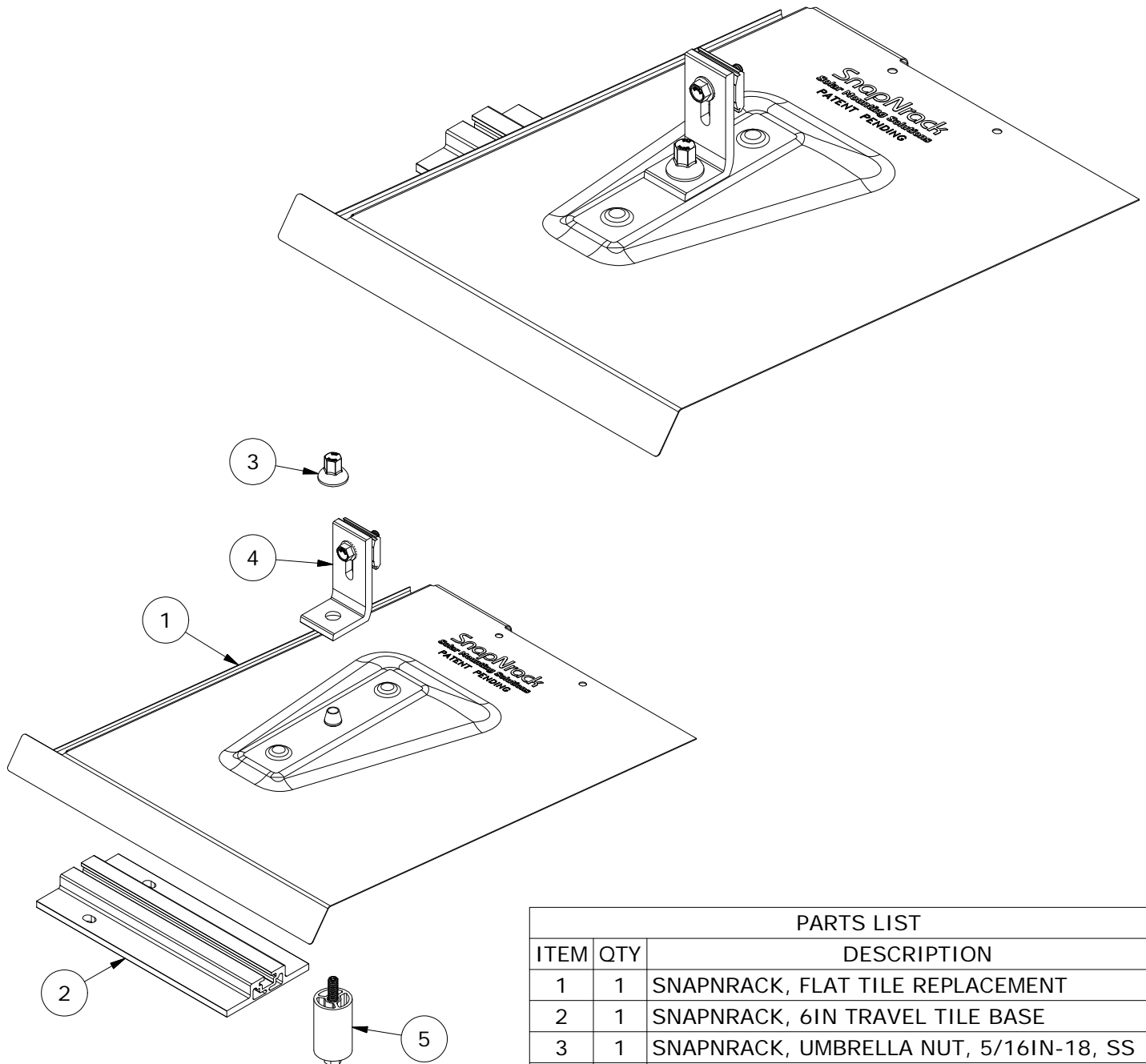
DRAWN BY:  
 mwatkins

REVISION:  
**A**

**SnapNrack™**  
 Solar Mounting Solutions

595 MARKET STREET, 29TH FLOOR • SAN FRANCISCO, CA 94105 USA  
 PHONE (415) 580-6900 • FAX (415) 580-6902

THE INFORMATION IN THIS DRAWING IS CONFIDENTIAL AND PROPRIETARY. ANY REPRODUCTION, DISCLOSURE, OR USE THEREOF IS PROHIBITED WITHOUT THE WRITTEN CONSENT OF SUNRUN SOUTH LLC.



PARTS LIST		
ITEM	QTY	DESCRIPTION
1	1	SNAPNRACK, FLAT TILE REPLACEMENT
2	1	SNAPNRACK, 6IN TRAVEL TILE BASE
3	1	SNAPNRACK, UMBRELLA NUT, 5/16IN-18, SS
4	1	SNAPNRACK, UMBRELLA L FOOT, 3-1/4IN, BLACK
5	1	SNAPNRACK, RISER ASSEMBLY, 2IN

MATERIALS:	6000 SERIES ALUMINUM, DEAD SOFT ALUMINUM, STAINLESS STEEL
DESIGN LOAD (LBS):	445 UP, 1333 DOWN, 93 SIDE
ULTIMATE LOAD (LBS):	1256 UP, 4000 DOWN, 279 SIDE
TORQUE SPECIFICATION:	10+ LB-FT
CERTIFICATION:	UL 2703, FILE E359313
WEIGHT (LBS):	2.56

DESCRIPTION:

# SNAPNRACK, FLAT TILE L FOOT KIT

DRAWN BY:

mwatkins

REVISION:

# A

# SnapNrack™

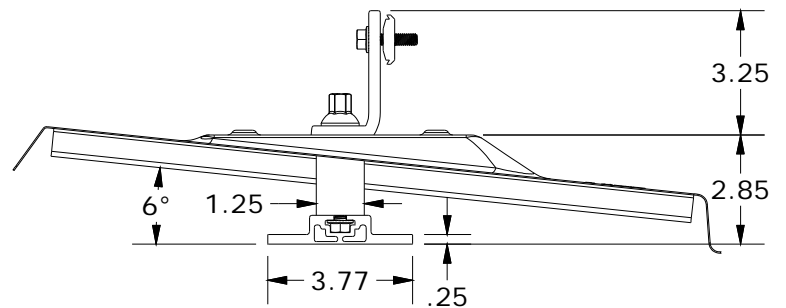
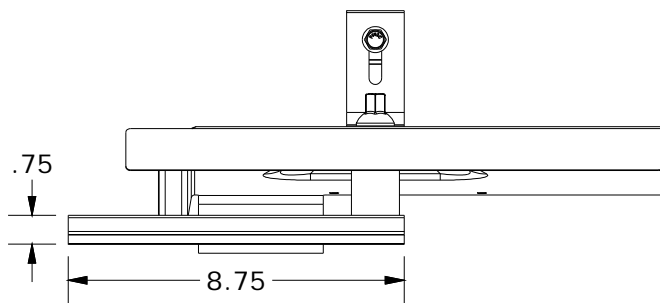
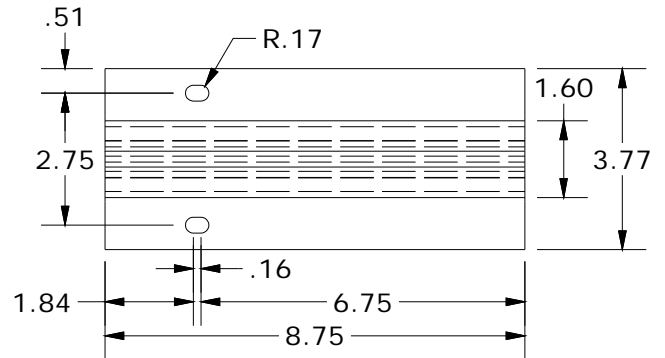
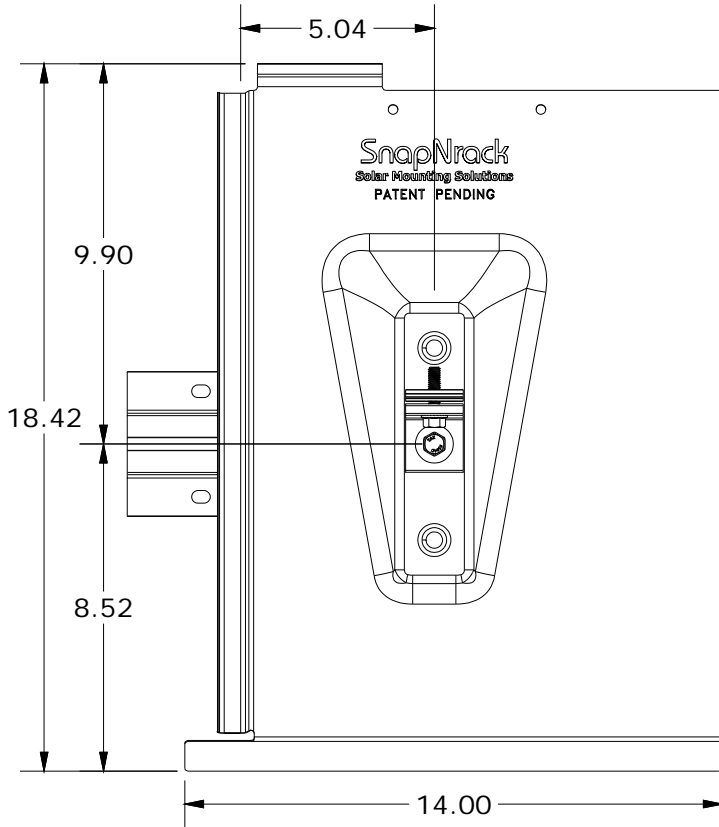
Solar Mounting Solutions

PART NUMBER(S):

## 242-01110

595 MARKET STREET, 29TH FLOOR • SAN FRANCISCO, CA 94105 USA  
PHONE (415) 580-6900 • FAX (415) 580-6902

THE INFORMATION IN THIS DRAWING IS CONFIDENTIAL AND PROPRIETARY. ANY REPRODUCTION, DISCLOSURE, OR USE THEREOF IS PROHIBITED WITHOUT THE WRITTEN CONSENT OF SUNRUN SOUTH LLC.



ALL DIMENSIONS IN INCHES