

DESCRIPTION:

SNAPNRACK, GROUND LUG

DRAWN BY:

D.Ryan

SnapNrack™
Solar Mounting Solutions

PART NUMBER(S):

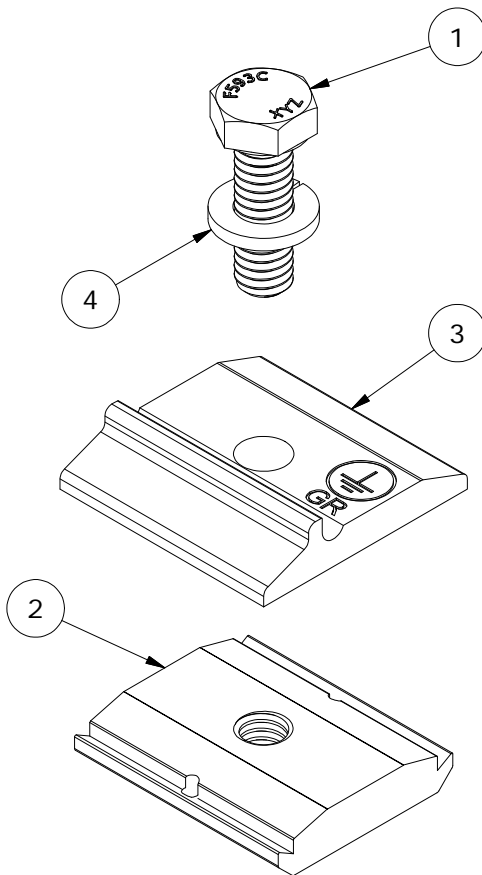
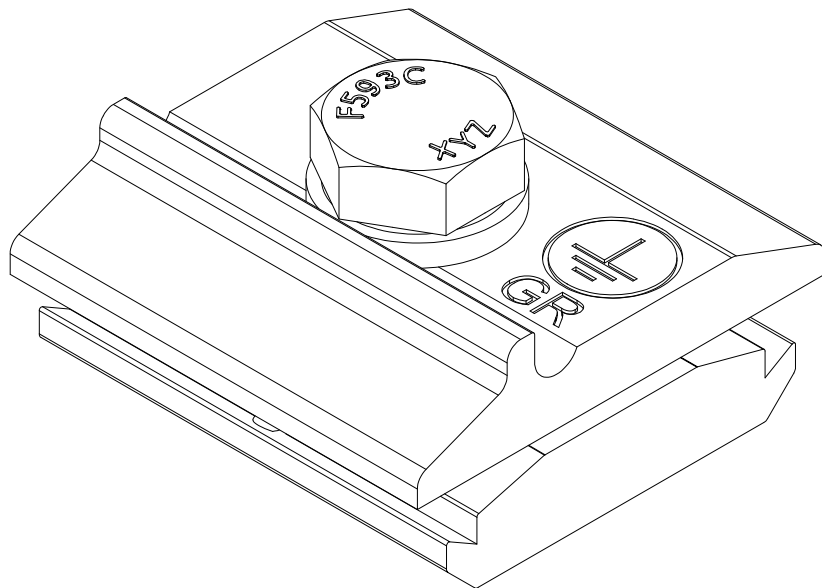
242-02101

REVISION:

A

595 MARKET STREET, 29TH FLOOR • SAN FRANCISCO, CA 94105 USA
PHONE (415) 580-6900 • FAX (415) 580-6902

THE INFORMATION IN THIS DRAWING IS CONFIDENTIAL AND PROPRIETARY. ANY REPRODUCTION, DISCLOSURE, OR USE THEREOF IS PROHIBITED WITHOUT THE WRITTEN CONSENT OF SUNRUN SOUTH LLC.



PARTS LIST		
ITEM	QTY	DESCRIPTION
1	1	BOLT, HEX CAP, 5/16IN-18 X 1IN, SS
2	1	SNAPNRACK, BONDING CHANNEL NUT
3	1	SNAPNRACK, GROUND LUG R PRC
4	1	5/16IN SS SPLIT LOCK WASHER

MATERIALS:

TIN-PLATED ALUMINUM, STAINLESS STEEL

OPTIONS:

DESIGN LOAD (LBS):

N/A

ULTIMATE LOAD (LBS):

N/A

TORQUE SPECIFICATION:

16 LB-FT

CERTIFICATION:

UL 467 & UL 2703, FILE E359313

WEIGHT (LBS):

0.13

DESCRIPTION:

SNAPNRACK, GROUND LUG

DRAWN BY:

D.Ryan

SnapNrack™
Solar Mounting Solutions

PART NUMBER(S):

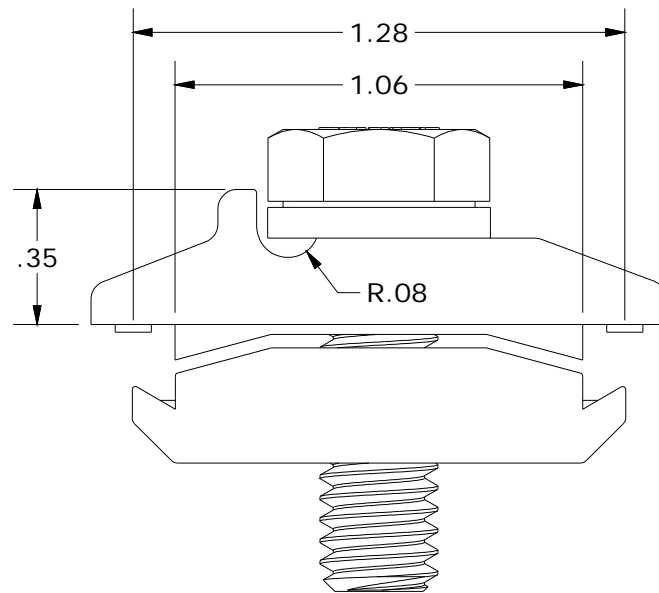
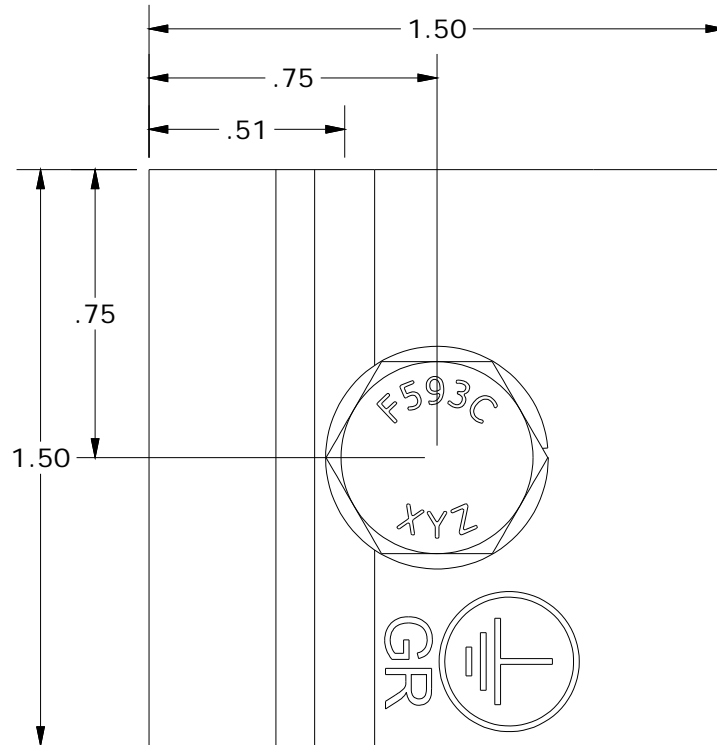
242-02101

REVISION:

A

595 MARKET STREET, 29TH FLOOR • SAN FRANCISCO, CA 94105 USA
PHONE (415) 580-6900 • FAX (415) 580-6902

THE INFORMATION IN THIS DRAWING IS CONFIDENTIAL AND PROPRIETARY. ANY REPRODUCTION, DISCLOSURE, OR USE THEREOF IS PROHIBITED WITHOUT THE WRITTEN CONSENT OF SUNRUN SOUTH LLC.



ALL DIMENSIONS IN INCHES