

DESCRIPTION:

SNAPNRACK, GROUND RAIL

DRAWN BY:

D. Ryan

**SnapNrack™**  
Solar Mounting Solutions

PART NUMBER(S):

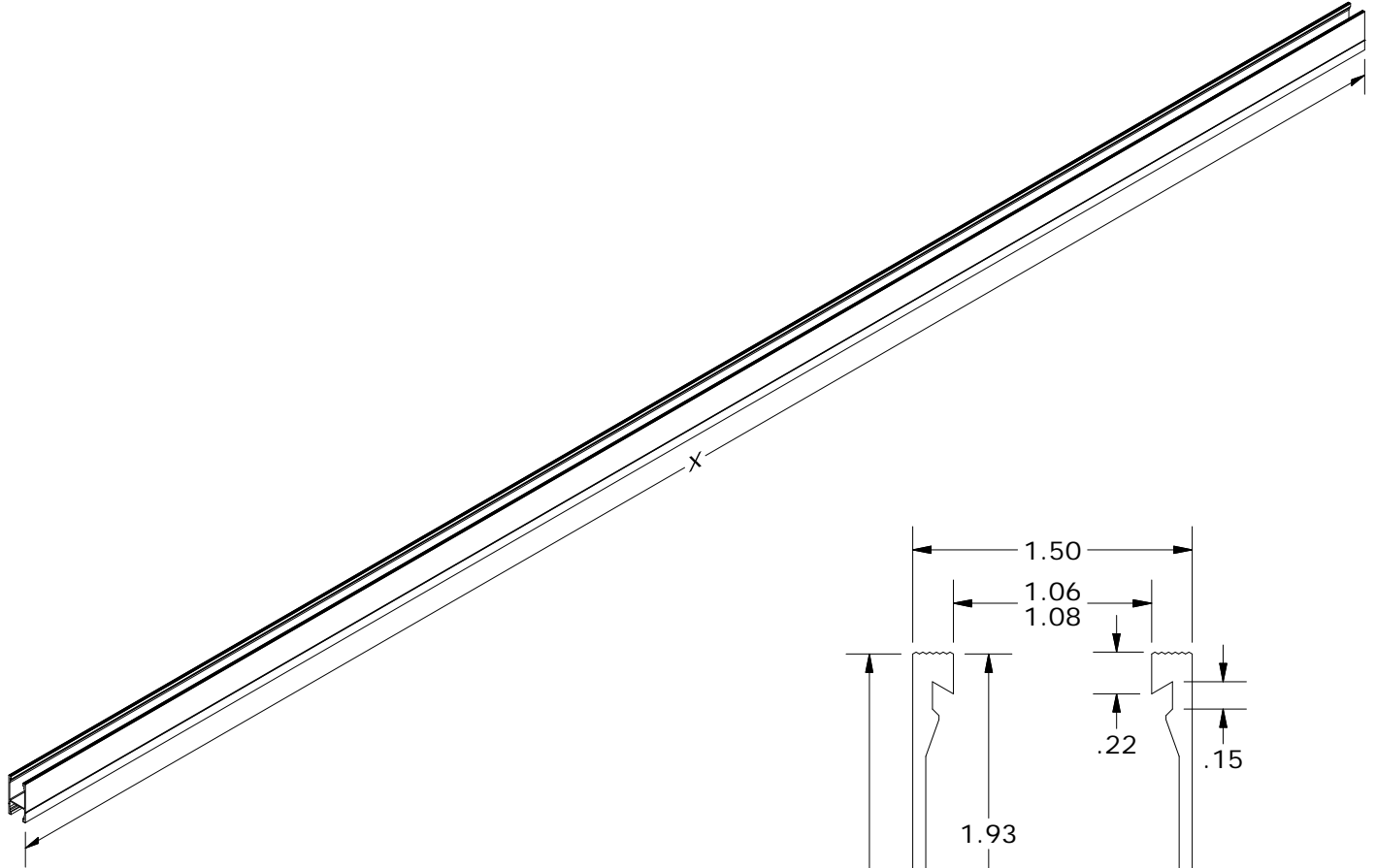
232-01072, 232-02183

REVISION:

**A**

595 MARKET STREET, 29TH FLOOR • SAN FRANCISCO, CA 94105 USA  
PHONE (415) 580-6900 • FAX (415) 580-6902

THE INFORMATION IN THIS DRAWING IS CONFIDENTIAL AND PROPRIETARY. ANY REPRODUCTION, DISCLOSURE, OR USE THEREOF IS PROHIBITED WITHOUT THE WRITTEN CONSENT OF SUNRUN SOUTH LLC.



GROUND RAIL PROPERTIES		
SKU	RAIL LENGTH (X)	FINISH
232-01072	162"	CLEAR
232-02183	122"	CLEAR

ALL DIMENSIONS IN INCHES

MATERIALS:	6000 SERIES ALUMINUM	OPTIONS:
DESIGN LOAD (LBS):	N/A	CLEAR ANODIZED
ULTIMATE LOAD (LBS):	N/A	122" / 162" LENGTHS
TORQUE SPECIFICATION:	N/A LB-FT	BOXES OF 2 / 4
CERTIFICATION:	UL 2703, FILE E359313	BUNDLES OF 112
WEIGHT (LBS):	8.17 - 10.85	