

DESCRIPTION:

SNAPNRACK, JUNCTION BOX R

DRAWN BY:

D. Ryan

SnapNrack™
Solar Mounting Solutions

PART NUMBER(S):

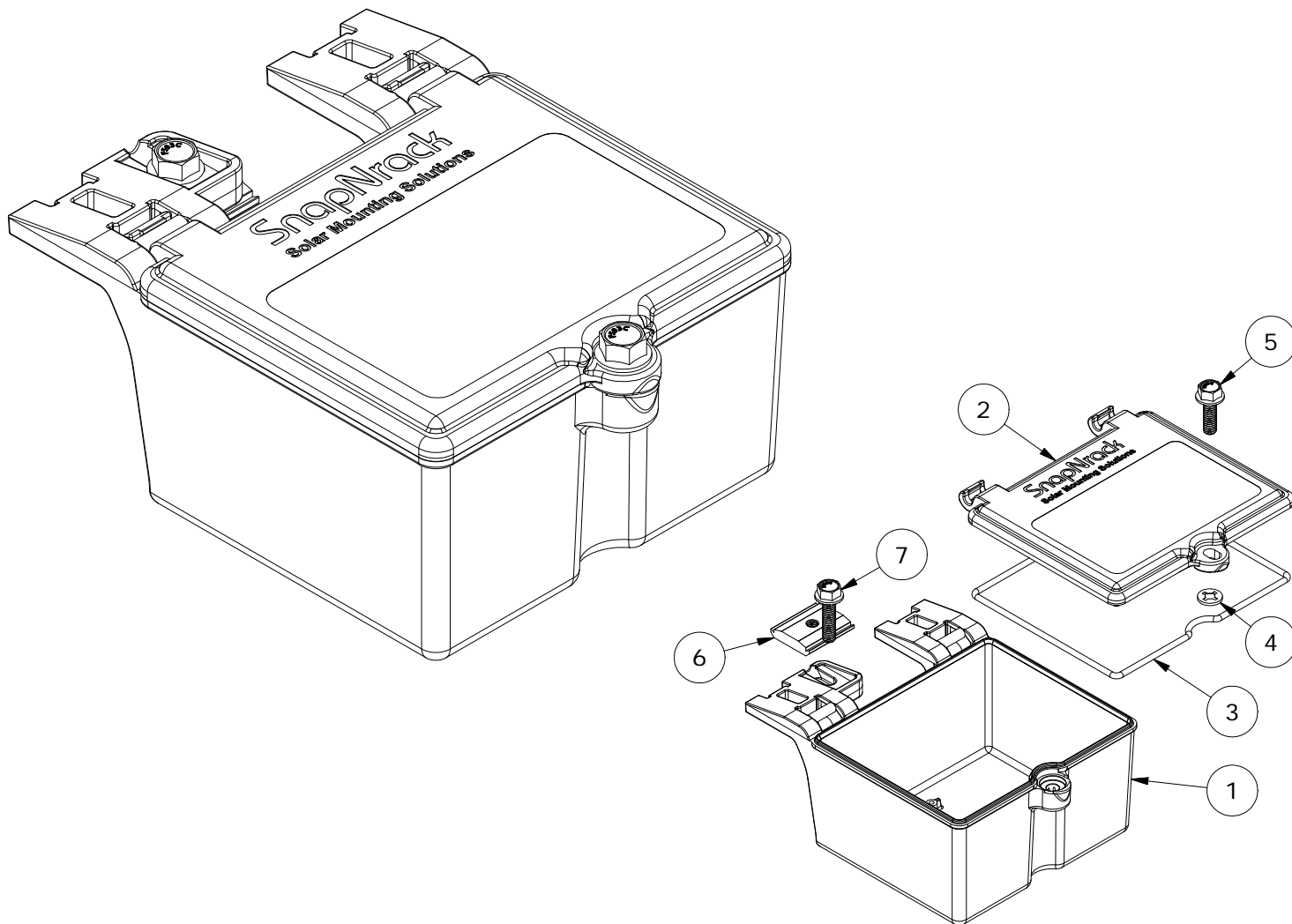
242-01104

REVISION:

A

595 MARKET STREET, 29TH FLOOR • SAN FRANCISCO, CA 94105 USA
PHONE (415) 580-6900 • FAX (415) 580-6902

THE INFORMATION IN THIS DRAWING IS CONFIDENTIAL AND PROPRIETARY. ANY REPRODUCTION, DISCLOSURE, OR USE THEREOF IS PROHIBITED WITHOUT THE WRITTEN CONSENT OF SUNRUN SOUTH LLC.



PARTS LIST

ITEM	QTY	DESCRIPTION
1	1	SNAPNRACK, JUNCTION BOX R BODY, PLASTIC
2	1	SNAPNRACK, JUNCTION BOX LID, NO GASKET
3	1	SNAPNRACK, JUNCTION BOX GASKET
4	1	SNAPNRACK, RETAINING WASHER FOR STANDARD BOLTS, PLASTIC
5	1	BOLT, FLANGE, 5/16IN-18 X 1IN, NON-SERRATED, BLACK, SS
6	1	SNAPNRACK, ORIGINAL CHANNEL NUT
7	1	BOLT, FLANGE, SERRATED, 5/16IN-18 X 1-1/4IN, BLACK, SS

MATERIALS:

POLYCARBONATE, STAINLESS STEEL, RUBBER

OPTIONS:

DESIGN LOAD (LBS):

N/A

ULTIMATE LOAD (LBS):

N/A

TORQUE SPECIFICATION:

5 (CHANNEL NUT), 3 (LID) LB-FT

CERTIFICATION:

UL50, NEMA 4X RATING

WEIGHT (LBS):

1.16

DESCRIPTION:

SNAPNRACK, JUNCTION BOX R

DRAWN BY:

D. Ryan

SnapNrack™
Solar Mounting Solutions

PART NUMBER(S):

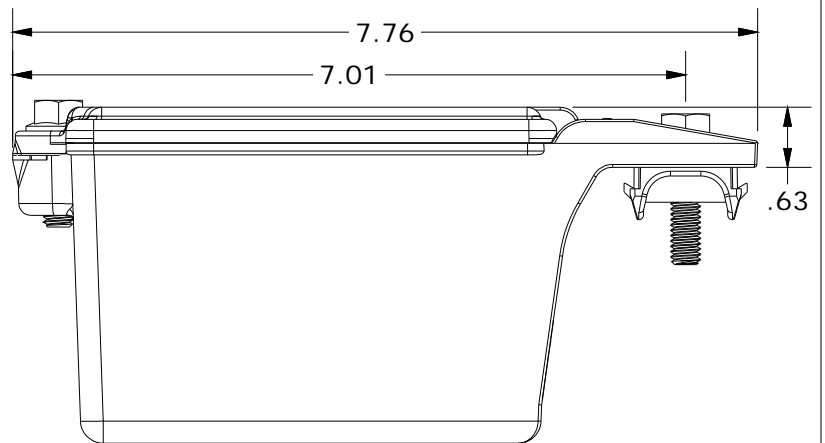
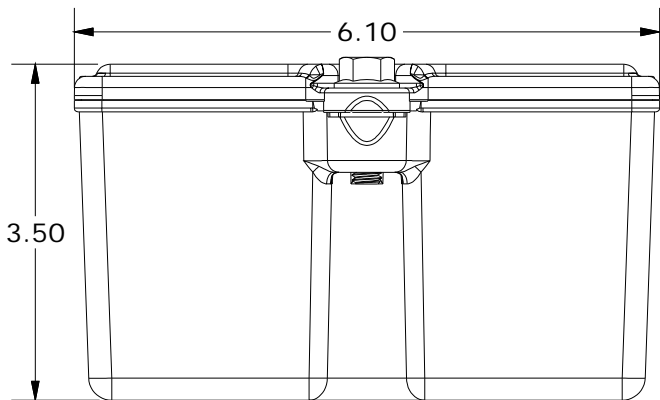
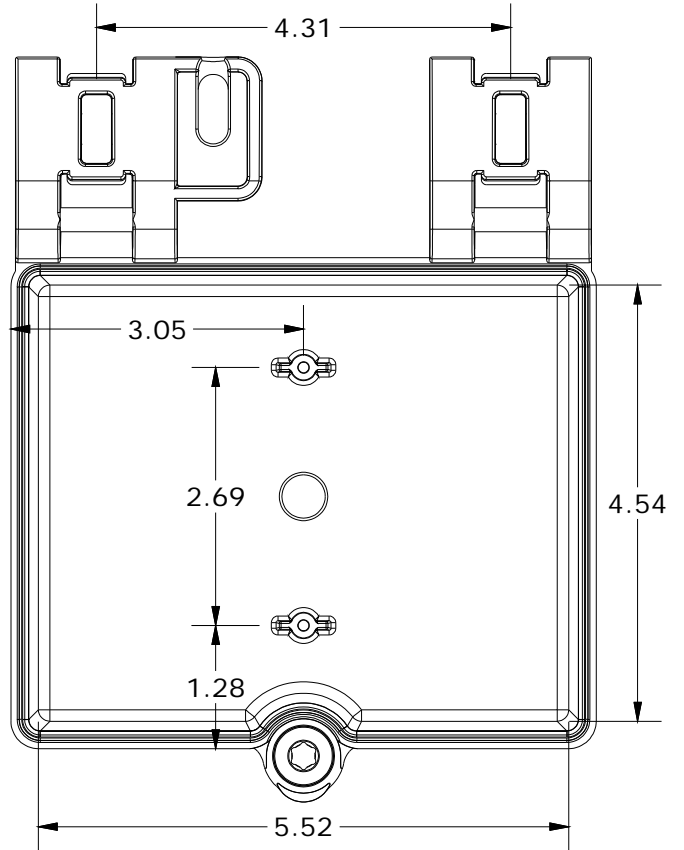
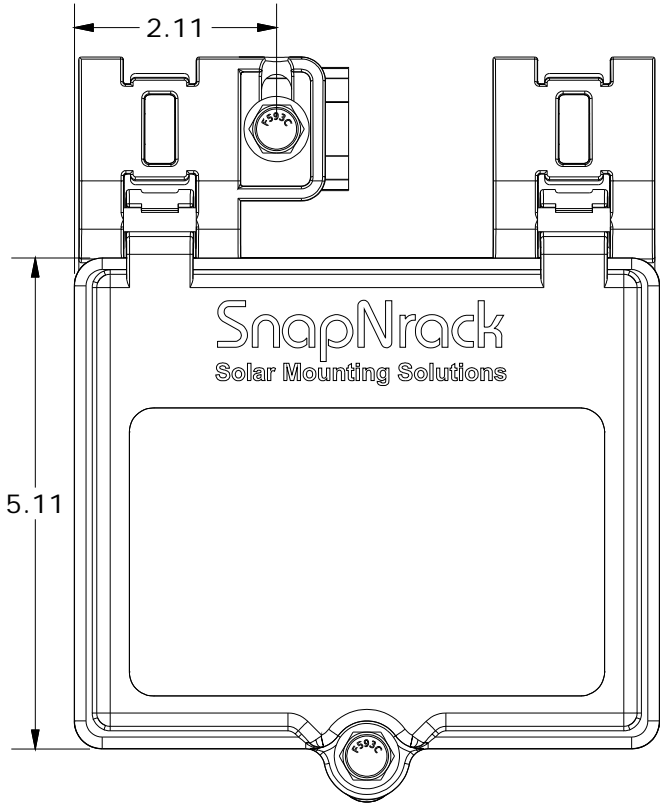
242-01104

REVISION:

A

595 MARKET STREET, 29TH FLOOR • SAN FRANCISCO, CA 94105 USA
PHONE (415) 580-6900 • FAX (415) 580-6902

THE INFORMATION IN THIS DRAWING IS CONFIDENTIAL AND PROPRIETARY. ANY REPRODUCTION, DISCLOSURE, OR USE THEREOF IS PROHIBITED WITHOUT THE WRITTEN CONSENT OF SUNRUN SOUTH LLC.



ALL DIMENSIONS IN INCHES