

DESCRIPTION:
JUNCTION BOX XL FOR RAIL

PART NUMBER(S):
242-92120

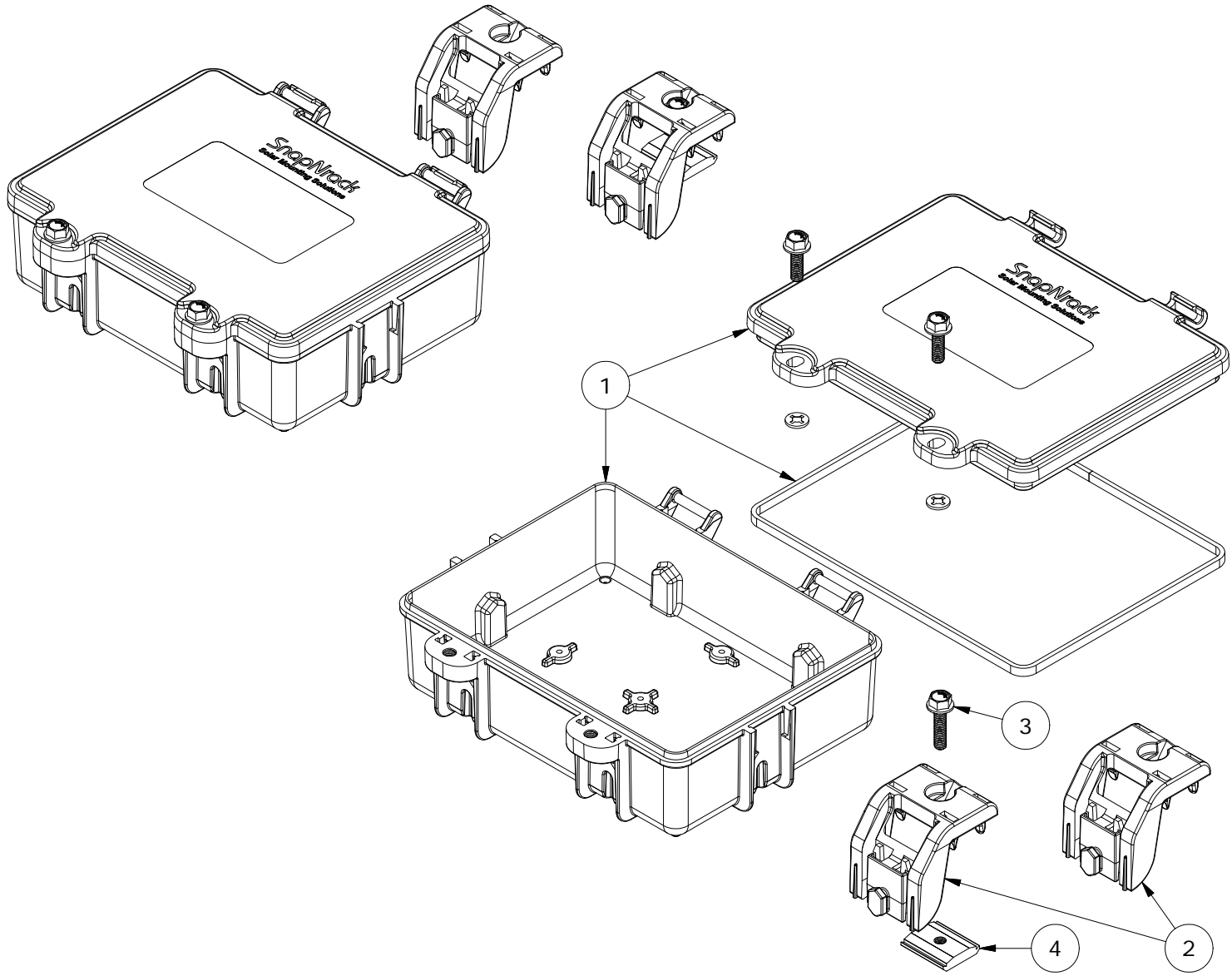
DRAWN BY:
 mwatkins

REVISION:
A

SnapNrack™
 Solar Mounting Solutions

595 MARKET STREET, 29TH FLOOR • SAN FRANCISCO, CA 94105 USA
 PHONE (415) 580-6900 • FAX (415) 580-6902

THE INFORMATION IN THIS DRAWING IS CONFIDENTIAL AND PROPRIETARY. ANY REPRODUCTION, DISCLOSURE, OR USE THEREOF IS PROHIBITED WITHOUT THE WRITTEN CONSENT OF SUNRUN SOUTH LLC.



PARTS LIST		
ITEM	QTY	DESCRIPTION
1	1	SNAPNRACK, JUNCTION BOX XL (BARE)
2	2	SNAPNRACK, J BOX RAIL BRACKET
3	1	BOLT, FLANGED HEX, 5/16IN-18 X 1-1/4IN, SS
4	1	SNAPNRACK CHANNEL NUT 5/16IN-18

MATERIALS:	POLYCARBONATE, CLOSED CELL FOAM, ALUMINUM, STAINLESS STEEL
DESIGN LOAD (LBS):	N/A
ULTIMATE LOAD (LBS):	N/A
TORQUE SPECIFICATION:	5 (CHANNEL NUT), 3 (LID) LB-FT
CERTIFICATION:	UL50/UL50E, NEMA 4X RATING
WEIGHT (LBS):	3.80

DESCRIPTION:

JUNCTION BOX XL FOR RAIL

DRAWN BY:

mwatkins

REVISION:

A

SnapNrack™

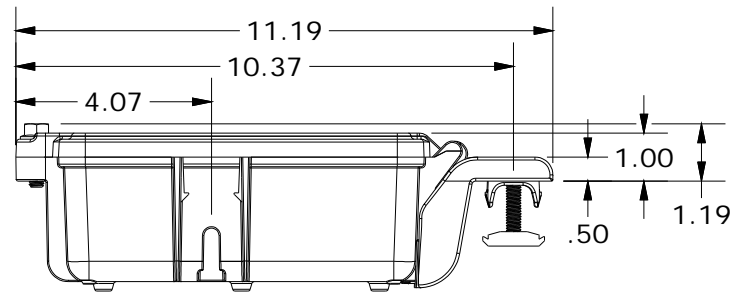
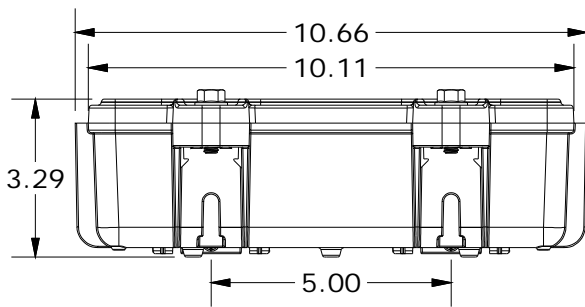
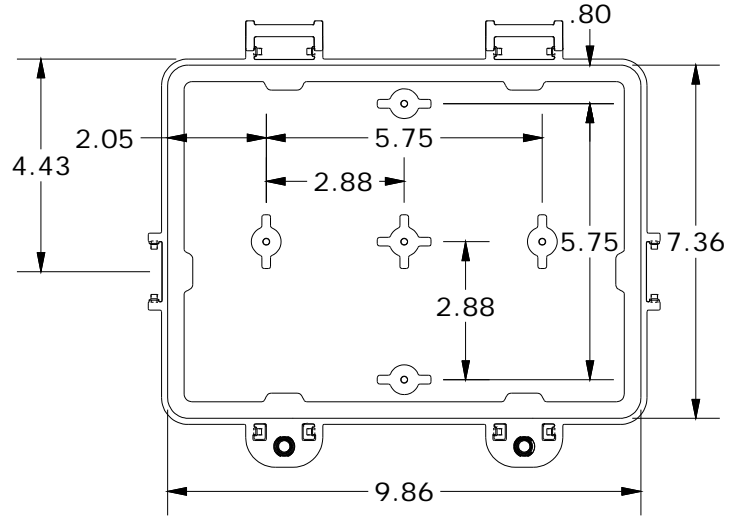
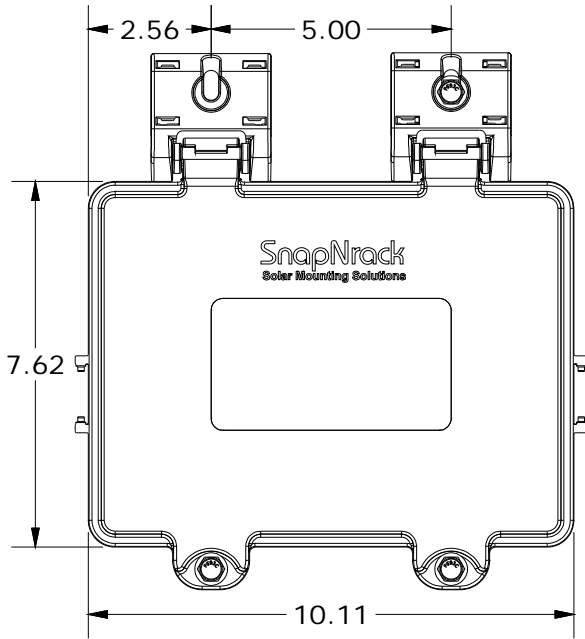
Solar Mounting Solutions

PART NUMBER(S):

242-92120

595 MARKET STREET, 29TH FLOOR • SAN FRANCISCO, CA 94105 USA
PHONE (415) 580-6900 • FAX (415) 580-6902

THE INFORMATION IN THIS DRAWING IS CONFIDENTIAL AND PROPRIETARY. ANY REPRODUCTION, DISCLOSURE, OR USE THEREOF IS PROHIBITED WITHOUT THE WRITTEN CONSENT OF SUNRUN SOUTH LLC.



ALL DIMENSIONS IN INCHES