

DESCRIPTION:
SNAPNRACK, METAL ROOF BASE

PART NUMBER(S):
242-02037

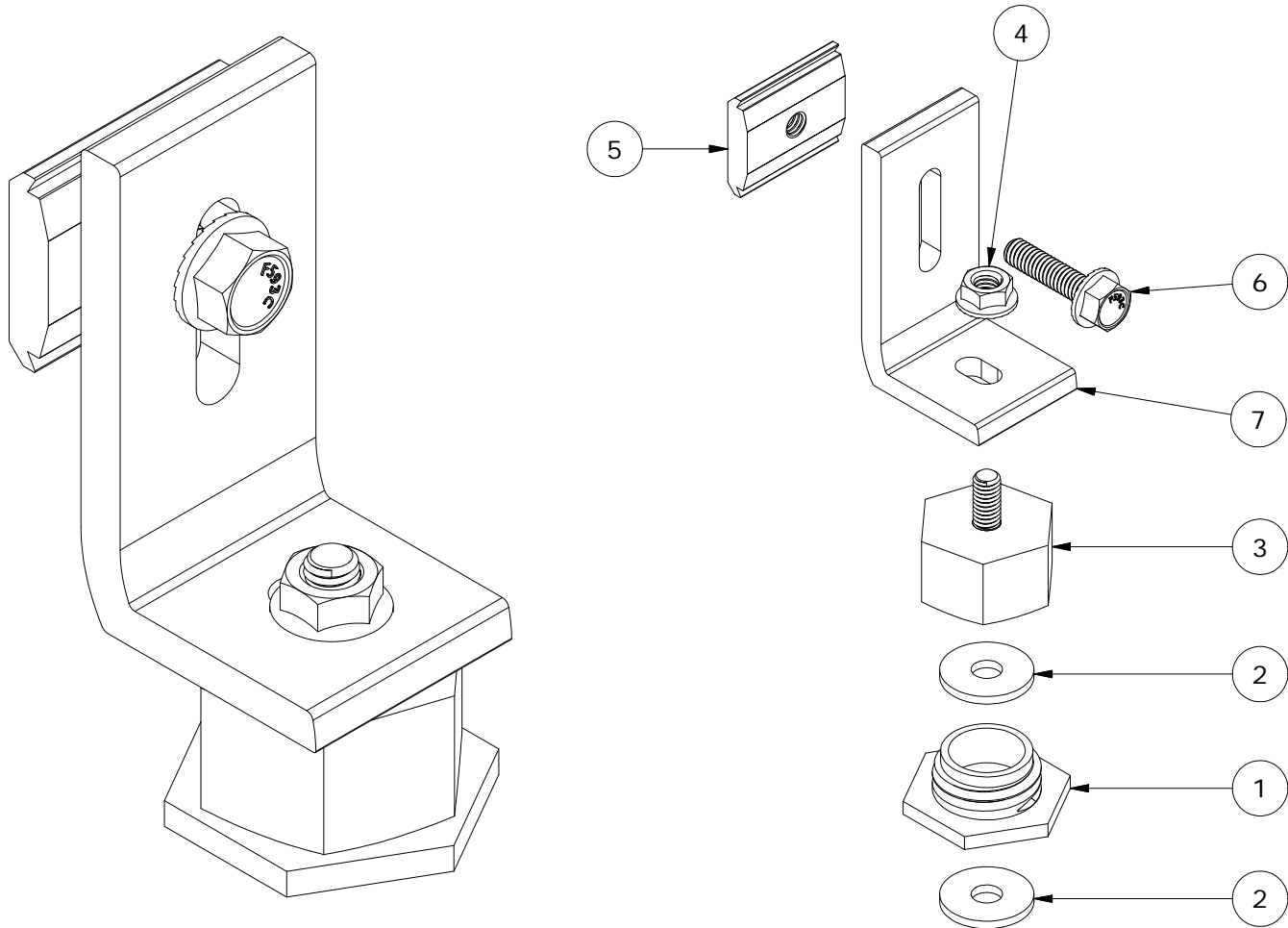
DRAWN BY:
 D.Ryan

REVISION:
B

SnapNrack™
 Solar Mounting Solutions

595 MARKET STREET, 29TH FLOOR • SAN FRANCISCO, CA 94105 USA
 PHONE (415) 580-6900 • FAX (415) 580-6902

THE INFORMATION IN THIS DRAWING IS CONFIDENTIAL AND PROPRIETARY. ANY REPRODUCTION, DISCLOSURE, OR USE THEREOF IS PROHIBITED WITHOUT THE WRITTEN CONSENT OF SUNRUN SOUTH LLC.



PARTS LIST		
ITEM	QTY	DESCRIPTION
1	1	SNAPNRACK METAL ROOF BASE BOTTOM
2	2	SNAPNRACK METAL ROOF BASE SEALING WASHER
3	1	SNAPNRACK METAL ROOF BASE CAP
4	1	NUT, FLANGE, SERRATED, 5/16IN-18, SS
5	1	SNAPNRACK CHANNEL NUT 5/16IN-18
6	1	BOLT, FLANGED HEX, 5/16IN-18 X 1-1/4IN, SS
7	1	SNAPNRACK, AP90 L FOOT PRC, CLEAR

MATERIALS:	6000 SERIES ALUMINUM, STAINLESS STEEL	OPTIONS:
DESIGN LOAD (LBS):	405 UP, 788 DOWN, 236 SIDE	
ULTIMATE LOAD (LBS):	1098 UP, 3364 DOWN, 1340 SIDE	
TORQUE SPECIFICATION:	10+ LB-FT	
CERTIFICATION:	UL 2703, FILE E359313	
WEIGHT (LBS):	0.43	

DESCRIPTION:

SNAPNRACK, METAL ROOF BASE

DRAWN BY:

D.Ryan

SnapNrack™
Solar Mounting Solutions

PART NUMBER(S):

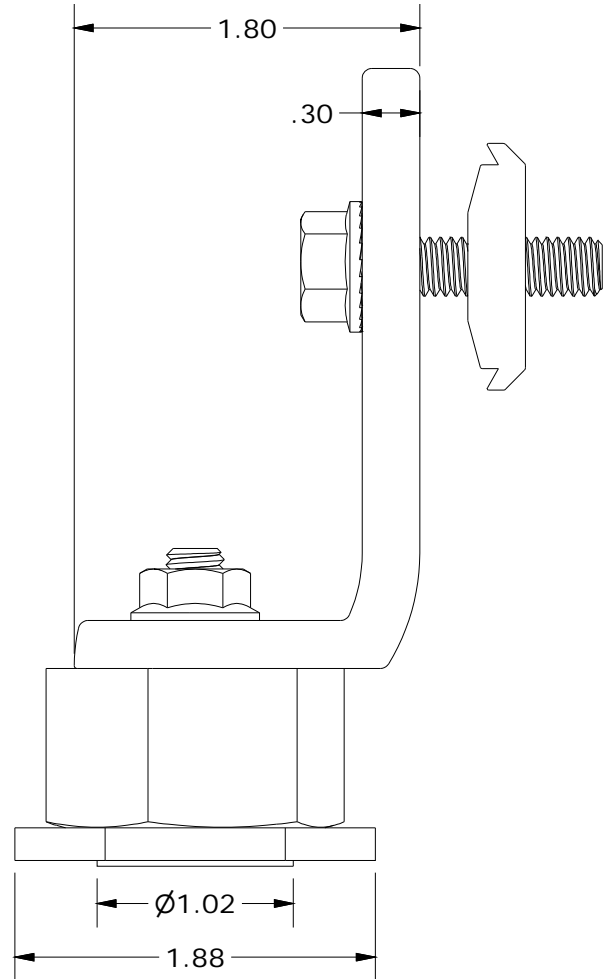
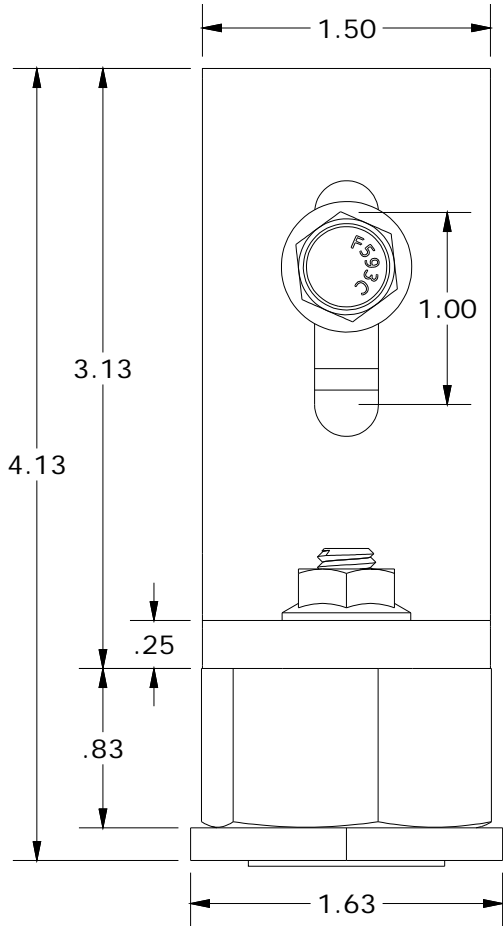
242-02037

REVISION:

B

595 MARKET STREET, 29TH FLOOR • SAN FRANCISCO, CA 94105 USA
PHONE (415) 580-6900 • FAX (415) 580-6902

THE INFORMATION IN THIS DRAWING IS CONFIDENTIAL AND PROPRIETARY. ANY REPRODUCTION, DISCLOSURE, OR USE THEREOF IS PROHIBITED WITHOUT THE WRITTEN CONSENT OF SUNRUN SOUTH LLC.



ALL DIMENSIONS IN INCHES