

DESCRIPTION:
SNAPNRACK, MLPE ATTACHMENT KIT

PART NUMBER(S):
242-92093

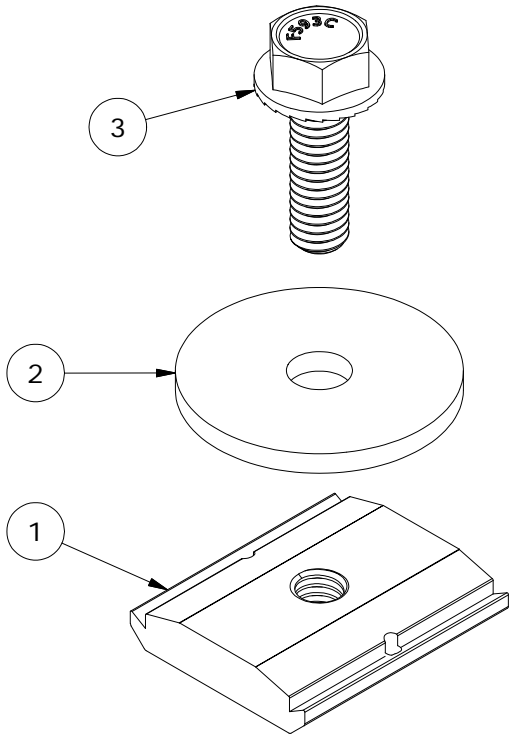
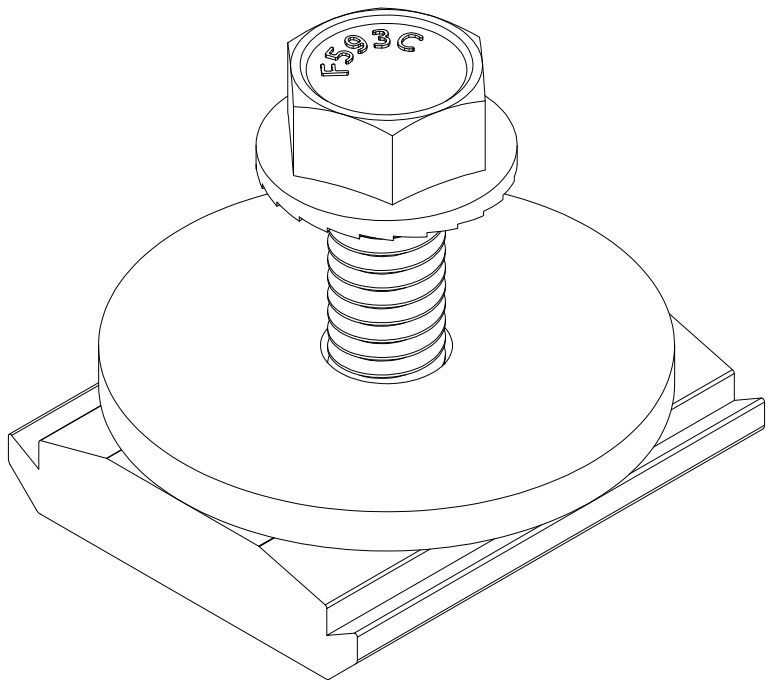
DRAWN BY:
M. Watkins

REVISION:
A

SnapNrack™
Solar Mounting Solutions

595 MARKET STREET, 29TH FLOOR • SAN FRANCISCO, CA 94105 USA
PHONE (415) 580-6900 • FAX (415) 580-6902

THE INFORMATION IN THIS DRAWING IS CONFIDENTIAL AND PROPRIETARY. ANY REPRODUCTION, DISCLOSURE, OR USE THEREOF IS PROHIBITED WITHOUT THE WRITTEN CONSENT OF SUNRUN SOUTH LLC.



| PARTS LIST | | |
|------------|-----|-----------------------------------------------|
| ITEM | QTY | DESCRIPTION |
| 1 | 1 | SNAPNRACK, BONDING CHANNEL NUT |
| 2 | 1 | WASHER, FENDER, 5/16IN X 1-1/2IN X .125IN, SS |
| 3 | 1 | BOLT, FLANGE, SERRATED, 5/16IN-18 X 1IN, SS |

| | | |
|-----------------------|---------------------------------------|----------|
| MATERIALS: | 6000 SERIES ALUMINUM, STAINLESS STEEL | OPTIONS: |
| DESIGN LOAD (LBS): | N/A | |
| ULTIMATE LOAD (LBS): | N/A | |
| TORQUE SPECIFICATION: | 10 LB-FT | |
| CERTIFICATION: | UL 2703, FILE E359313 | |
| WEIGHT (LBS): | 0.15 | |