

DESCRIPTION:  
**SNAPNRACK, RIDGE MOUNT**

PART NUMBER(S):  
**242-92632, 242-92635, 242-92638, 242-92640**

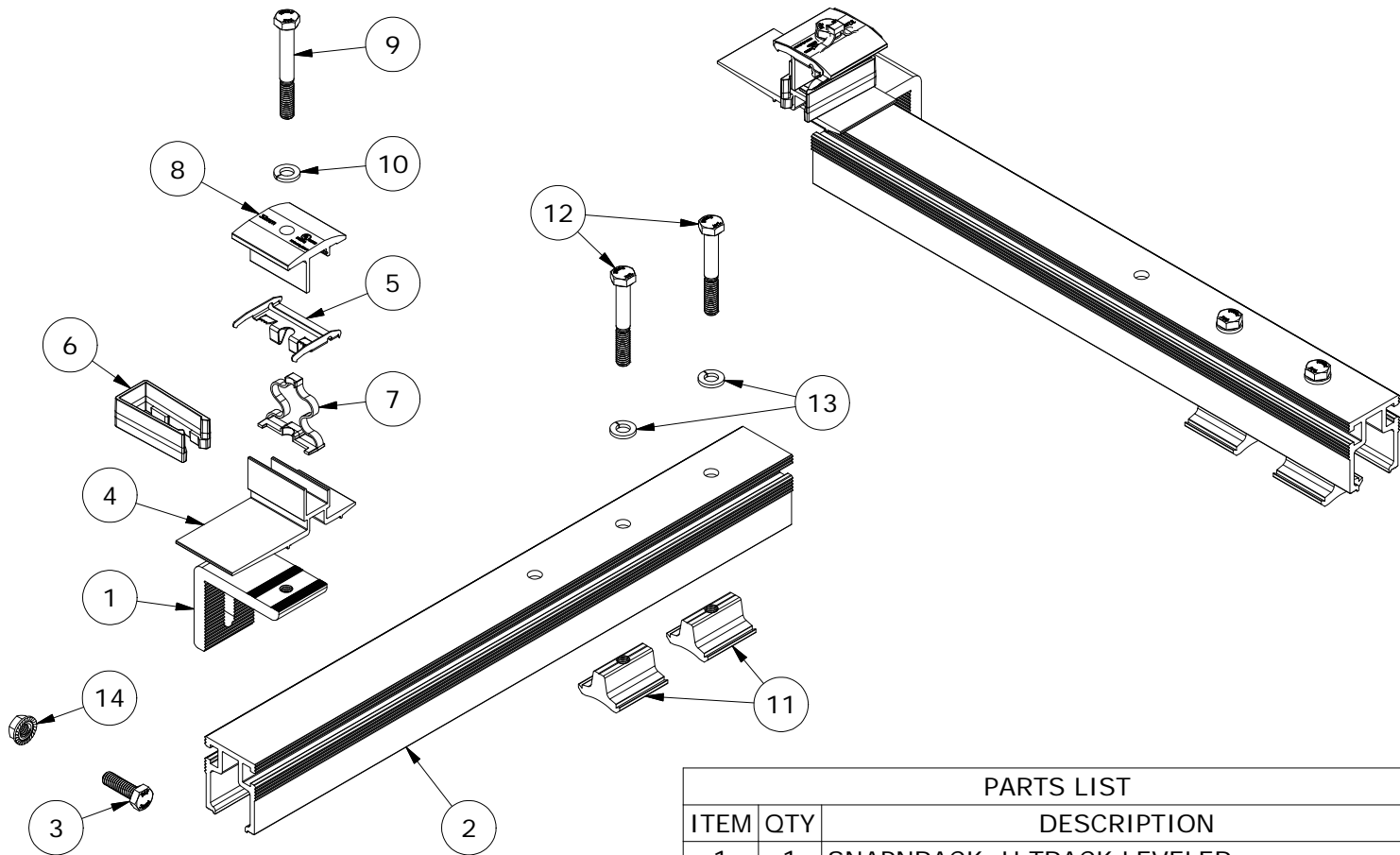
DRAWN BY:  
 mwatkins

REVISION:  
**A**

**SnapNrack™**  
 Solar Mounting Solutions

595 MARKET STREET, 29TH FLOOR • SAN FRANCISCO, CA 94105 USA  
 PHONE (415) 580-6900 • FAX (415) 580-6902

THE INFORMATION IN THIS DRAWING IS CONFIDENTIAL AND PROPRIETARY. ANY REPRODUCTION, DISCLOSURE, OR USE THEREOF IS PROHIBITED WITHOUT THE WRITTEN CONSENT OF SUNRUN SOUTH LLC.



PARTS LIST		
ITEM	QTY	DESCRIPTION
1	1	SNAPNRACK, H TRACK LEVELER
2	1	SNAPNRACK, H TRACK, 16.75IN
3	1	5/16IN-18 X 1IN SS HCS BOLT
4	1	SNAPNRACK, B MOUNT PRC, BLACK
5	1	SNAPNRACK, B MOUNT BONDING CLIP
6	1	SNAPNRACK, B MOUNT LINK SPACER, PLASTIC
7	1	SNAPNRACK, B MOUNT SPRING, PLASTIC
8	1	SNAPNRACK, B MOUNT TOP, BLACK
9	1	5/16IN-18 X 2-1/2IN SS HCS BOLT BLACK
10	1	5/16IN SS SPLIT LOCK WASHER BLACK
11	2	SNAPNRACK, DROP IN/ROCK IN CHANNEL NUT
12	2	5/16IN-18 X 2-1/4IN SS HCS BOLT
13	2	5/16IN SS SPLIT LOCK WASHER
14	1	NUT, FLANGE, SERRATED, 5/16IN-18, SS

MATERIALS:	6000 SERIES ALUMINUM, STAINLESS STEEL, POLYCARBONATE	OPTIONS:
DESIGN LOAD (LBS):	306 UP, 372 DOWN, 253 SIDE (LANDSCAPE)	32 MM FRAMES
ULTIMATE LOAD (LBS):	N/A	35 MM FRAMES
TORQUE SPECIFICATION:	12 LB-FT	38 MM FRAMES
CERTIFICATION:	UL 2703, FILE E359313	40 MM FRAMES
WEIGHT (LBS):	2.32-2.33	

DESCRIPTION:

SNAPNRACK, RIDGE MOUNT

DRAWN BY:

mwatkins

REVISION:

A

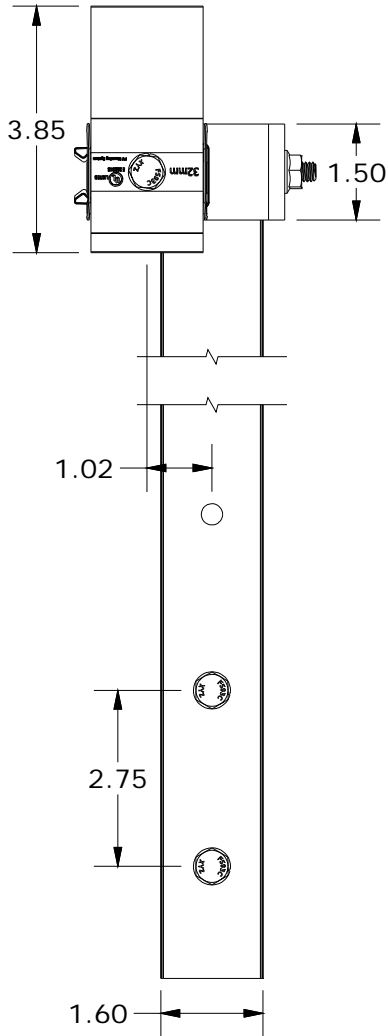
SnapNrack™  
Solar Mounting Solutions

PART NUMBER(S):

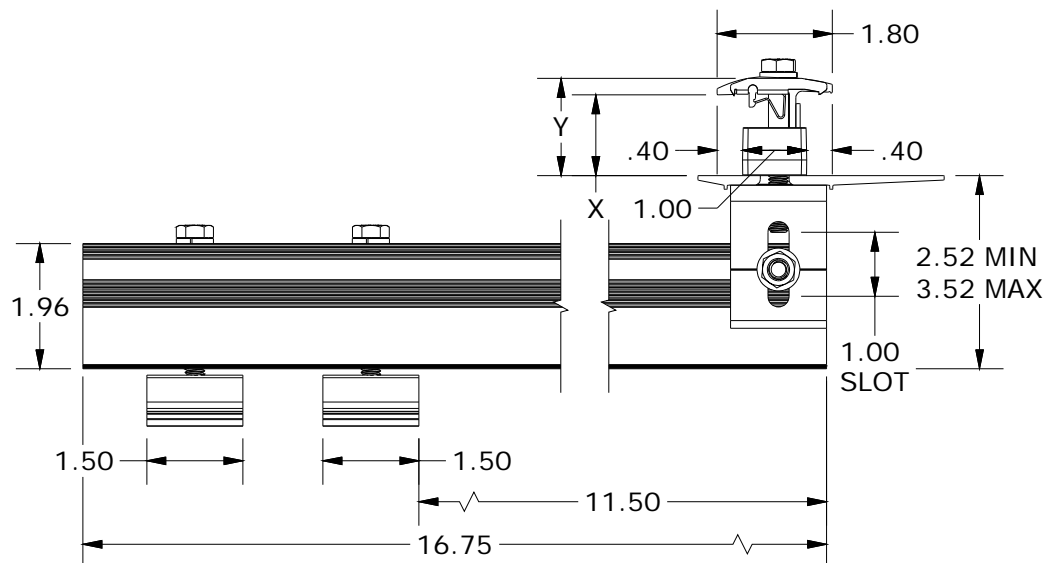
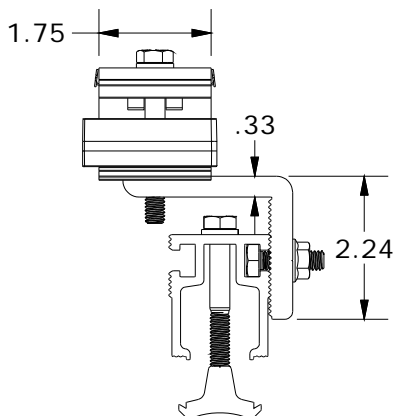
242-92632, 242-92635, 242-92638, 242-92640

595 MARKET STREET, 29TH FLOOR • SAN FRANCISCO, CA 94105 USA  
PHONE (415) 580-6900 • FAX (415) 580-6902

THE INFORMATION IN THIS DRAWING IS CONFIDENTIAL AND PROPRIETARY. ANY REPRODUCTION, DISCLOSURE, OR USE THEREOF IS PROHIBITED WITHOUT THE WRITTEN CONSENT OF SUNRUN SOUTH LLC.



RIDGE MOUNT PROPERTIES			
SKU	MODULE FRAME	X	Y
242-92632	32 MM	1.26	1.52
242-92635	35 MM	1.38	1.63
242-92638	38 MM	1.50	1.75
242-92640	40 MM	1.57	1.83



ALL DIMENSIONS IN INCHES