

DESCRIPTION:  
**SNAPNRACK, STANDARD BASE SEAM CLAMP WITH  
 L FOOT AND LOCK**

DRAWN BY:

mwatkins

REVISION:

**C**

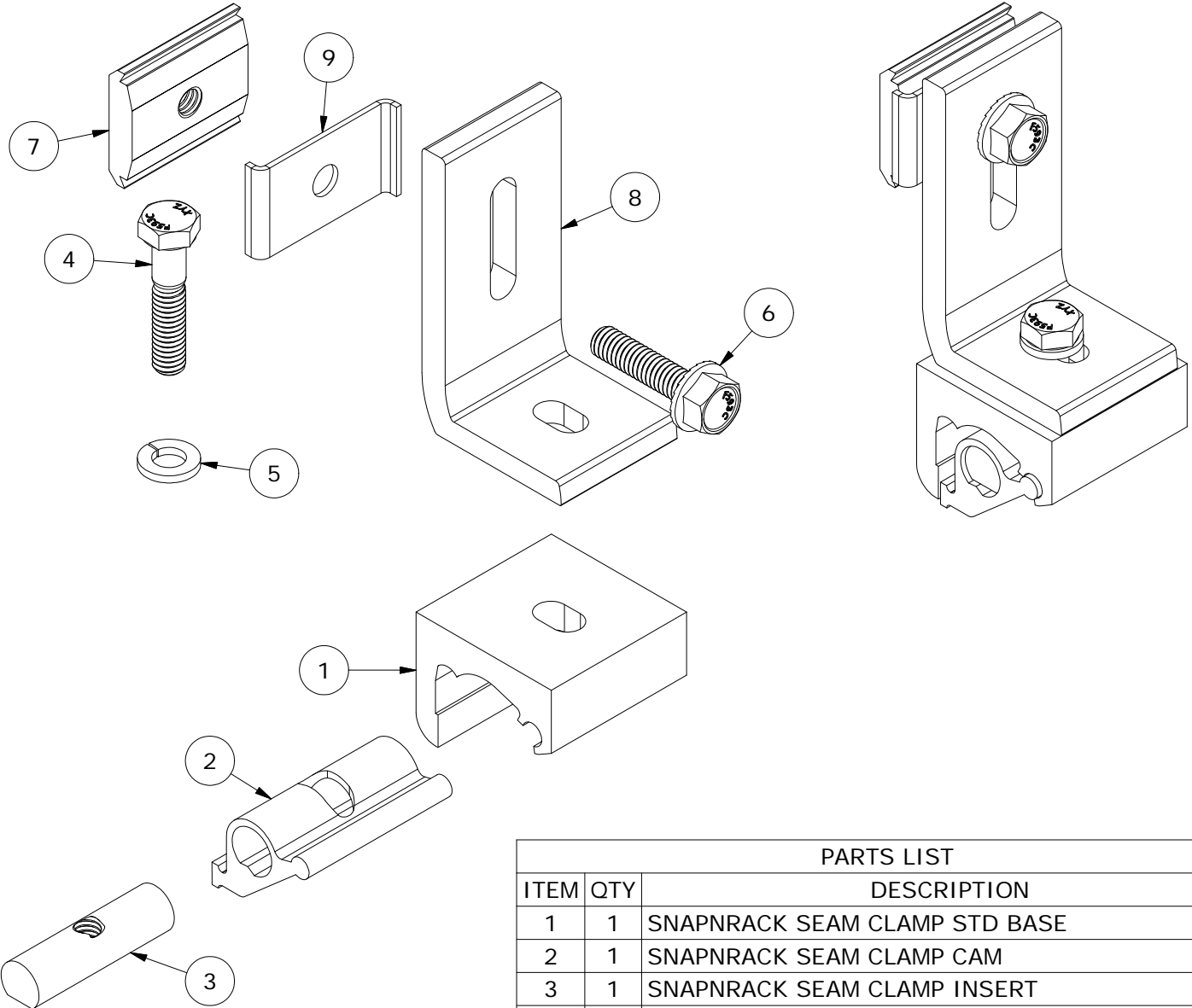
**SnapNrack™**  
**Solar Mounting Solutions**

PART NUMBER(S):

**242-05156**

595 MARKET STREET, 29TH FLOOR • SAN FRANCISCO, CA 94105 USA  
 PHONE (415) 580-6900 • FAX (415) 580-6902

THE INFORMATION IN THIS DRAWING IS CONFIDENTIAL AND PROPRIETARY. ANY  
 REPRODUCTION, DISCLOSURE, OR USE THEREOF IS PROHIBITED WITHOUT THE  
 WRITTEN CONSENT OF SUNRUN SOUTH LLC.



**PARTS LIST**

ITEM	QTY	DESCRIPTION
1	1	SNAPNRACK SEAM CLAMP STD BASE
2	1	SNAPNRACK SEAM CLAMP CAM
3	1	SNAPNRACK SEAM CLAMP INSERT
4	1	5/16IN-18 X 1-1/2IN SS HCS BOLT BLACK
5	1	5/16IN SS SPLIT LOCK WASHER BLACK
6	1	BOLT, FLANGED HEX, 5/16IN-18 X 1-1/4IN, SS
7	1	SNAPNRACK CHANNEL NUT 5/16IN-18
8	1	SNAPNRACK, AP90 L FOOT PRC, CLEAR
9	1	SNAPNRACK, SEAM CLAMP ROTATION LOCK

MATERIALS:

6000 SERIES ALUMINUM, STAINLESS STEEL

OPTIONS:

DESIGN LOAD (LBS):

235 UP, 235 DOWN, 212 SIDE

ULTIMATE LOAD (LBS):

686 UP, 353 DOWN, 637 SIDE

TORQUE SPECIFICATION:

16.7 LB-FT

CERTIFICATION:

UL 2703, FILE E359313

WEIGHT (LBS):

0.60

DESCRIPTION:  
SNAPNRACK, STANDARD BASE SEAM CLAMP WITH  
L FOOT AND LOCK

DRAWN BY:

mwatkins

REVISION:

C

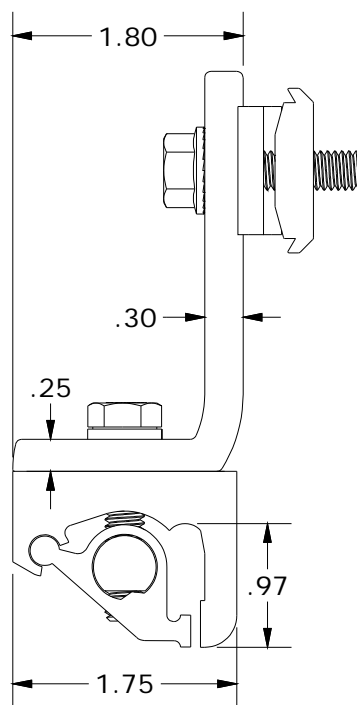
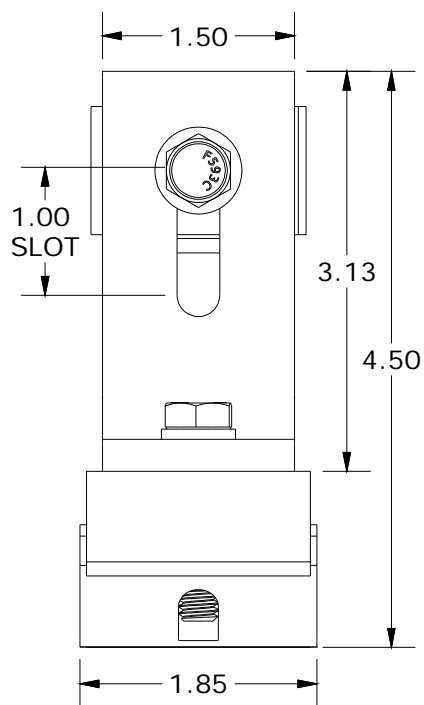
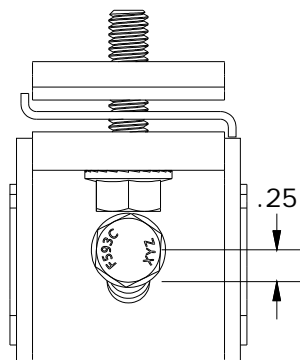
SnapNrack™  
Solar Mounting Solutions

PART NUMBER(S):

242-05156

595 MARKET STREET, 29TH FLOOR • SAN FRANCISCO, CA 94105 USA  
PHONE (415) 580-6900 • FAX (415) 580-6902

THE INFORMATION IN THIS DRAWING IS CONFIDENTIAL AND PROPRIETARY. ANY  
REPRODUCTION, DISCLOSURE, OR USE THEREOF IS PROHIBITED WITHOUT THE  
WRITTEN CONSENT OF SUNRUN SOUTH LLC.



ALL DIMENSIONS IN INCHES