

DESCRIPTION:
SNAPRACK, STANDARD RAIL SPLICE

PART NUMBER(S):
242-04014, 242-04015

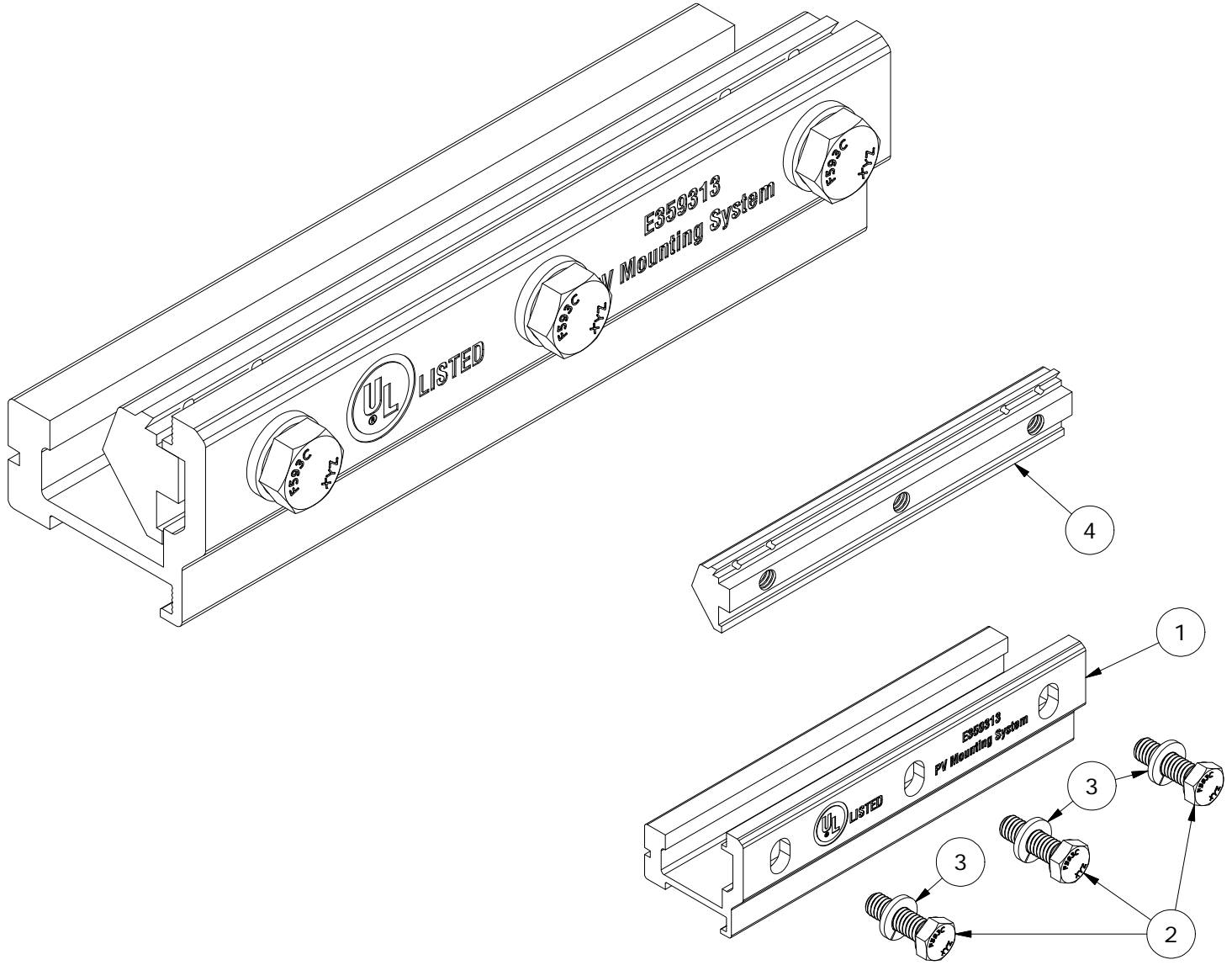
DRAWN BY:
 M.Watkins

REVISION:
A

SnapNrack™
 Solar Mounting Solutions

595 MARKET STREET, 29TH FLOOR • SAN FRANCISCO, CA 94105 USA
 PHONE (415) 580-6900 • FAX (415) 580-6902

THE INFORMATION IN THIS DRAWING IS CONFIDENTIAL AND PROPRIETARY. ANY REPRODUCTION, DISCLOSURE, OR USE THEREOF IS PROHIBITED WITHOUT THE WRITTEN CONSENT OF SUNRUN SOUTH LLC.



PARTS LIST		
ITEM	QTY	DESCRIPTION
1	1	SNAPRACK, STANDARD RAIL SPLICE BASE, CLEAR / BLACK
2	3	BOLT, HEX CAP, 5/16IN-18 X 1IN, SS
3	3	5/16IN SS SPLIT LOCK WASHER
4	1	SNAPRACK, BONDING STANDARD RAIL SPLICE INSERT, MILL

MATERIALS:	6000 SERIES ALUMINUM, STAINLESS STEEL	OPTIONS:
DESIGN LOAD (LBS):	N/A	CLEAR / BLACK ANODIZED
ULTIMATE LOAD (LBS):	N/A	
TORQUE SPECIFICATION:	10+ LB-FT	
CERTIFICATION:	UL 2703, FILE E359313	
WEIGHT (LBS):	0.69	

DESCRIPTION:

SNAPNRACK, STANDARD RAIL SPLICE

DRAWN BY:

M.Watkins

REVISION:

A

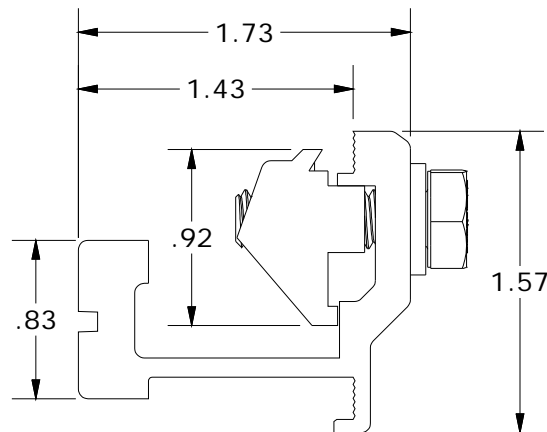
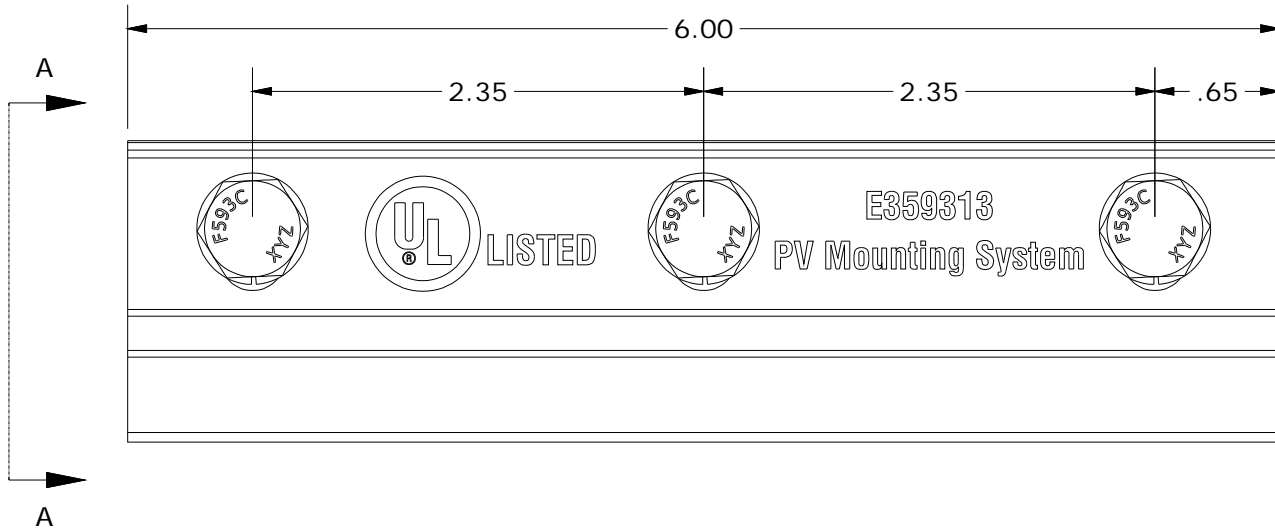
SnapNrack™
Solar Mounting Solutions

PART NUMBER(S):

242-04014, 242-04015

595 MARKET STREET, 29TH FLOOR • SAN FRANCISCO, CA 94105 USA
PHONE (415) 580-6900 • FAX (415) 580-6902

THE INFORMATION IN THIS DRAWING IS CONFIDENTIAL AND PROPRIETARY. ANY REPRODUCTION, DISCLOSURE, OR USE THEREOF IS PROHIBITED WITHOUT THE WRITTEN CONSENT OF SUNRUN SOUTH LLC.



VIEW A-A
SCALE 1 : 1

ALL DIMENSIONS IN INCHES