

DESCRIPTION:

SNAPNRACK, UR-40 SPLICE

DRAWN BY:

mwatkins

**SnapNrack™**  
Solar Mounting Solutions

PART NUMBER(S):

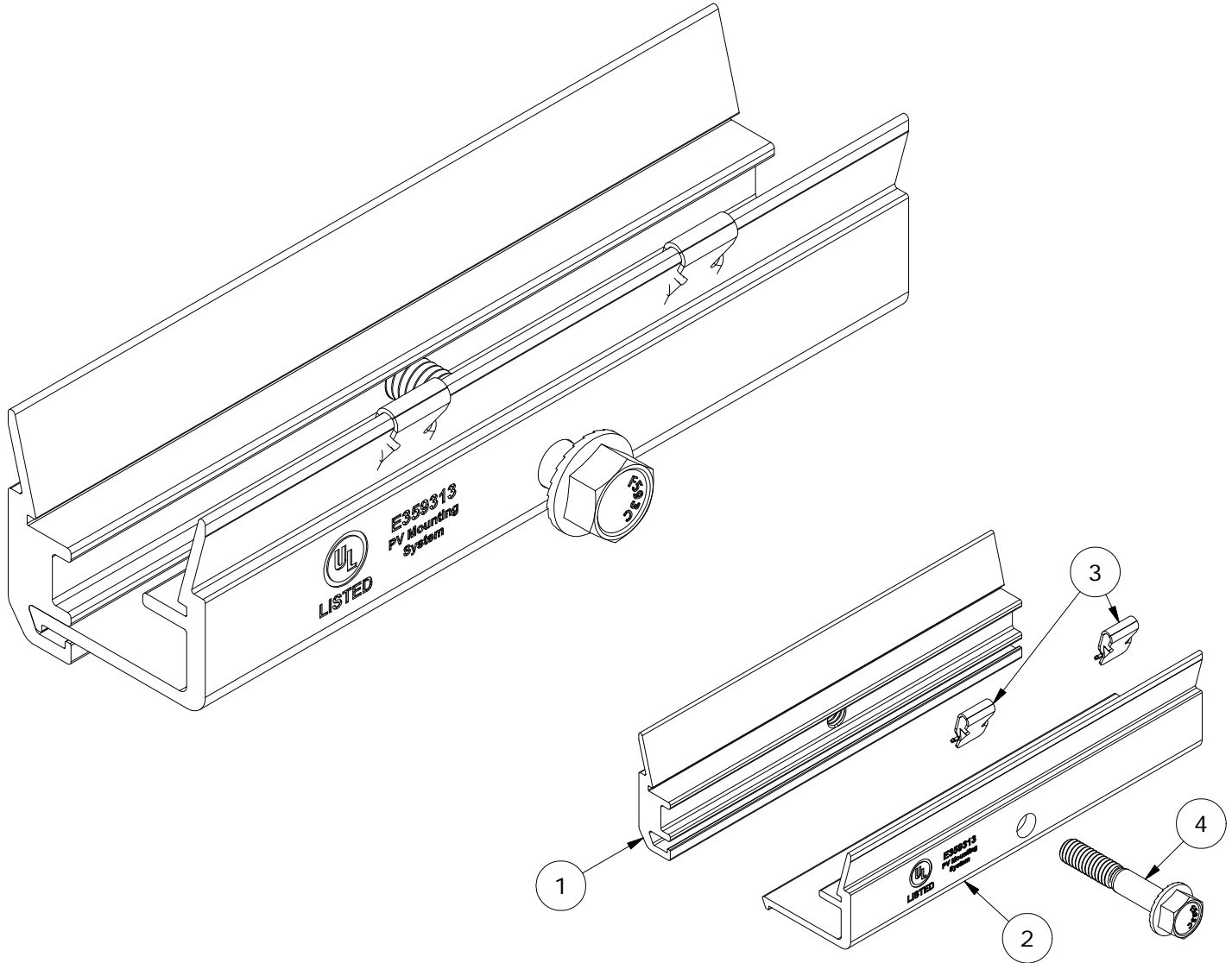
242-01213, 242-01214

REVISION:

**A**

595 MARKET STREET, 29TH FLOOR • SAN FRANCISCO, CA 94105 USA  
PHONE (415) 580-6900 • FAX (415) 580-6902

THE INFORMATION IN THIS DRAWING IS CONFIDENTIAL AND PROPRIETARY. ANY REPRODUCTION, DISCLOSURE, OR USE THEREOF IS PROHIBITED WITHOUT THE WRITTEN CONSENT OF SUNRUN SOUTH LLC.



PARTS LIST

ITEM	QTY	DESCRIPTION
1	1	SNAPNRACK, UR-40 SPLICE TAPPED PRC, CLEAR
2	1	SNAPNRACK, UR-40 SPLICE THRU PRC, CLEAR
3	2	SNAPNRACK, SNAPLINK BONDING CLIP, TYPE 2, STEEL
4	1	BOLT, FLANGE, SERRATED, 5/16IN-18 X 1-3/4IN, SS

MATERIALS:

6000 SERIES ALUMINUM, STAINLESS STEEL

OPTIONS:

DESIGN LOAD (LBS):

N/A

CLEAR / BLACK ANODIZED

ULTIMATE LOAD (LBS):

N/A

TORQUE SPECIFICATION:

12 LB-FT

CERTIFICATION:

UL 2703, FILE E359313

WEIGHT (LBS):

0.52

DESCRIPTION:

SNAPNRACK, UR-40 SPLICE

DRAWN BY:

mwatkins

REVISION:

A

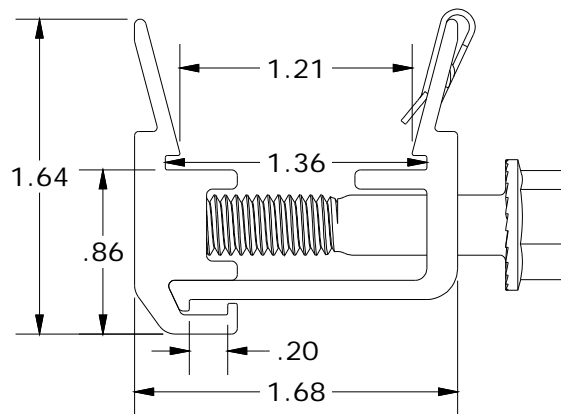
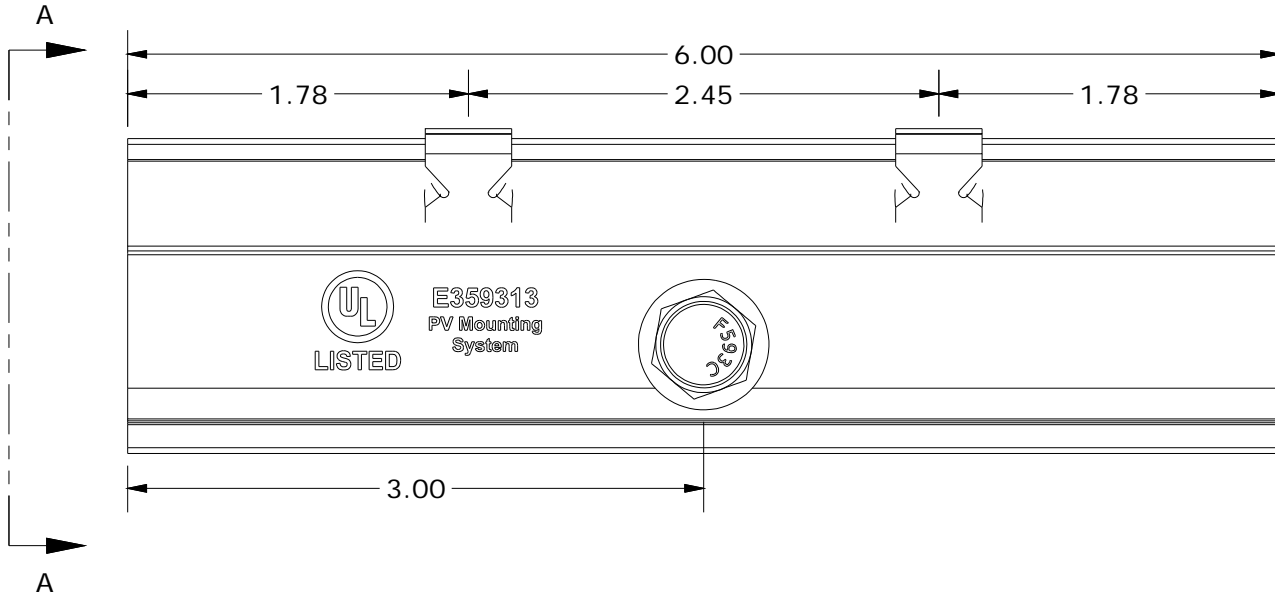
SnapNrack™  
Solar Mounting Solutions

PART NUMBER(S):

242-01213, 242-01214

595 MARKET STREET, 29TH FLOOR • SAN FRANCISCO, CA 94105 USA  
PHONE (415) 580-6900 • FAX (415) 580-6902

THE INFORMATION IN THIS DRAWING IS CONFIDENTIAL AND PROPRIETARY. ANY REPRODUCTION, DISCLOSURE, OR USE THEREOF IS PROHIBITED WITHOUT THE WRITTEN CONSENT OF SUNRUN SOUTH LLC.



VIEW A-A  
SCALE 1 : 1

ALL DIMENSIONS IN INCHES