

DESCRIPTION:

SNAPNRACK, W TILE L FOOT KIT

DRAWN BY:

mwatkins

**SnapNrack™**  
Solar Mounting Solutions

PART NUMBER(S):

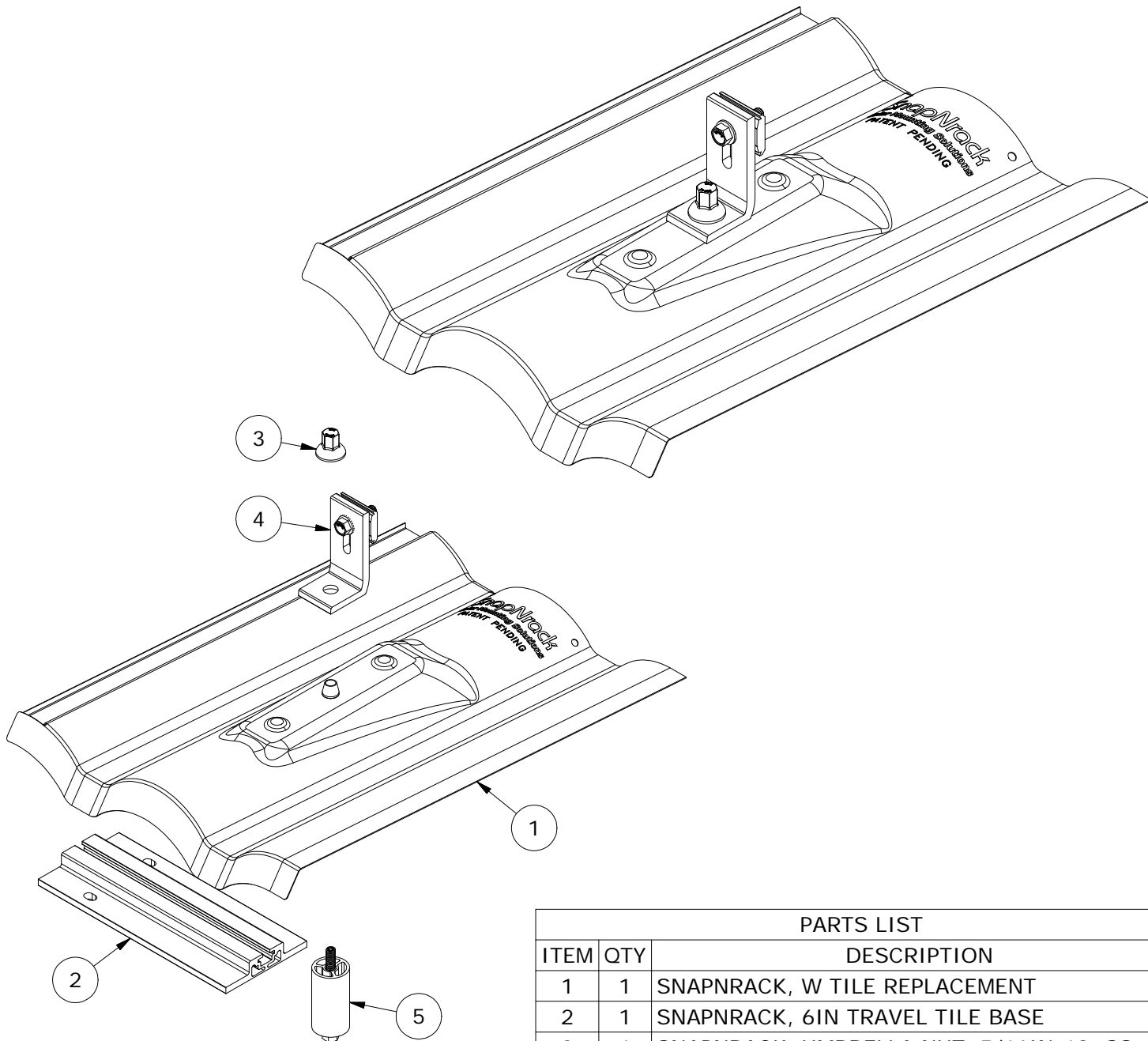
242-01112

REVISION:

**A**

595 MARKET STREET, 29TH FLOOR • SAN FRANCISCO, CA 94105 USA  
PHONE (415) 580-6900 • FAX (415) 580-6902

THE INFORMATION IN THIS DRAWING IS CONFIDENTIAL AND PROPRIETARY. ANY REPRODUCTION, DISCLOSURE, OR USE THEREOF IS PROHIBITED WITHOUT THE WRITTEN CONSENT OF SUNRUN SOUTH LLC.



PARTS LIST		
ITEM	QTY	DESCRIPTION
1	1	SNAPNRACK, W TILE REPLACEMENT
2	1	SNAPNRACK, 6IN TRAVEL TILE BASE
3	1	SNAPNRACK, UMBRELLA NUT, 5/16IN-18, SS
4	1	SNAPNRACK, UMBRELLA L FOOT, 3-1/4IN, BLACK
5	1	SNAPNRACK, RISER ASSEMBLY, 2-3/8IN

MATERIALS:

6000 SERIES ALUMINUM, DEAD SOFT ALUMINUM, STAINLESS STEEL

DESIGN LOAD (LBS):

445 UP, 1333 DOWN, 93 SIDE

ULTIMATE LOAD (LBS):

1256 UP, 4000 DOWN, 279 SIDE

TORQUE SPECIFICATION:

10+ LB-FT

CERTIFICATION:

UL 2703, FILE E359313

WEIGHT (LBS):

2.63

DESCRIPTION:

SNAPNRACK, W TILE L FOOT KIT

DRAWN BY:

mwatkins

REVISION:

A

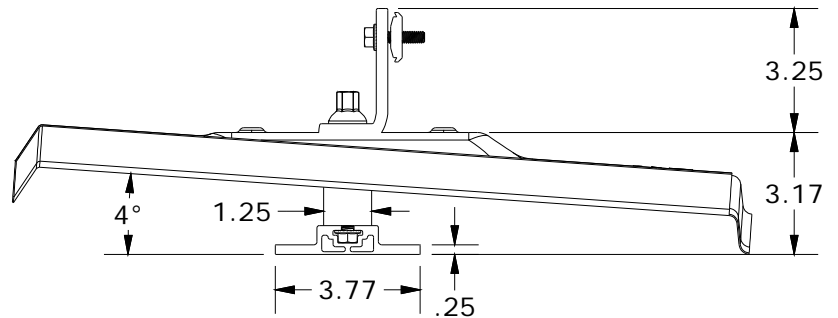
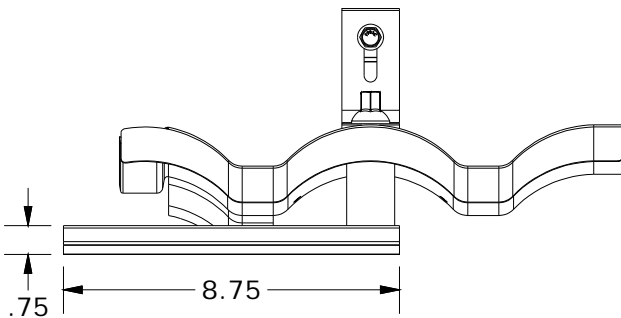
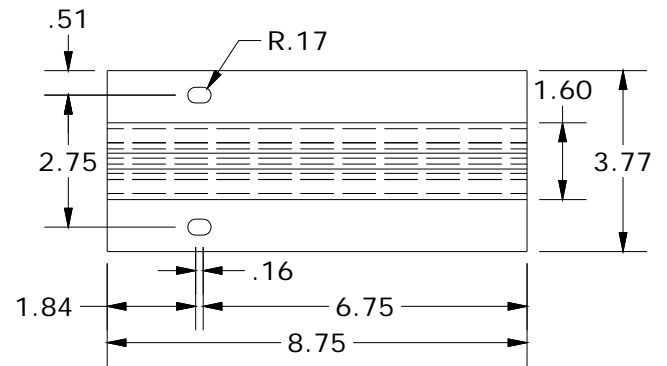
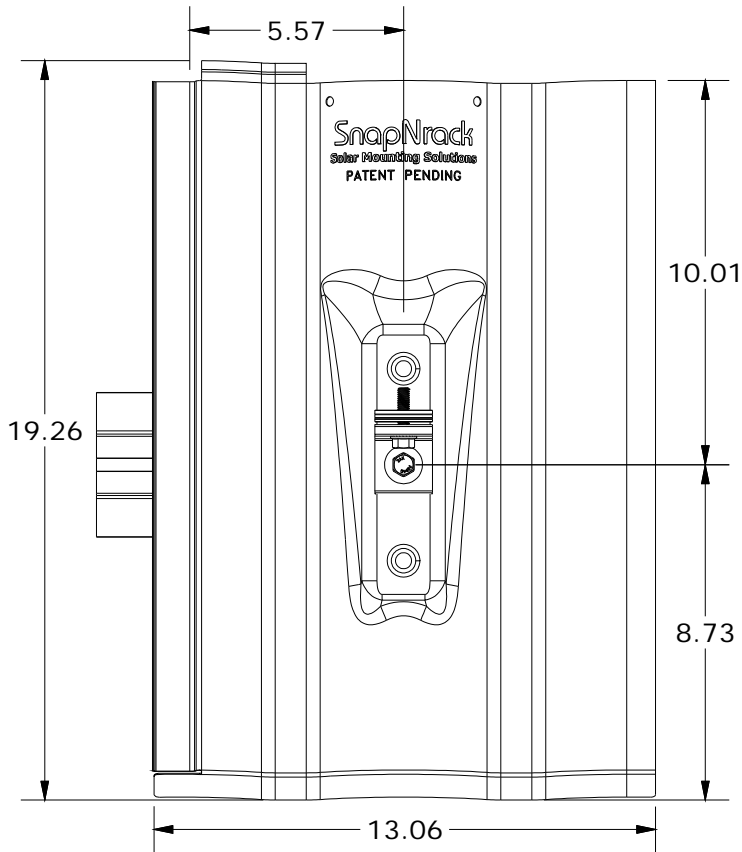
SnapNrack™  
Solar Mounting Solutions

PART NUMBER(S):

242-01112

595 MARKET STREET, 29TH FLOOR • SAN FRANCISCO, CA 94105 USA  
PHONE (415) 580-6900 • FAX (415) 580-6902

THE INFORMATION IN THIS DRAWING IS CONFIDENTIAL AND PROPRIETARY. ANY REPRODUCTION, DISCLOSURE, OR USE THEREOF IS PROHIBITED WITHOUT THE WRITTEN CONSENT OF SUNRUN SOUTH LLC.



ALL DIMENSIONS IN INCHES