

DESCRIPTION:
SNAPNRACK, WIDE BASE SEAM CLAMP WITH L FOOT AND LOCK

PART NUMBER(S):
242-05157

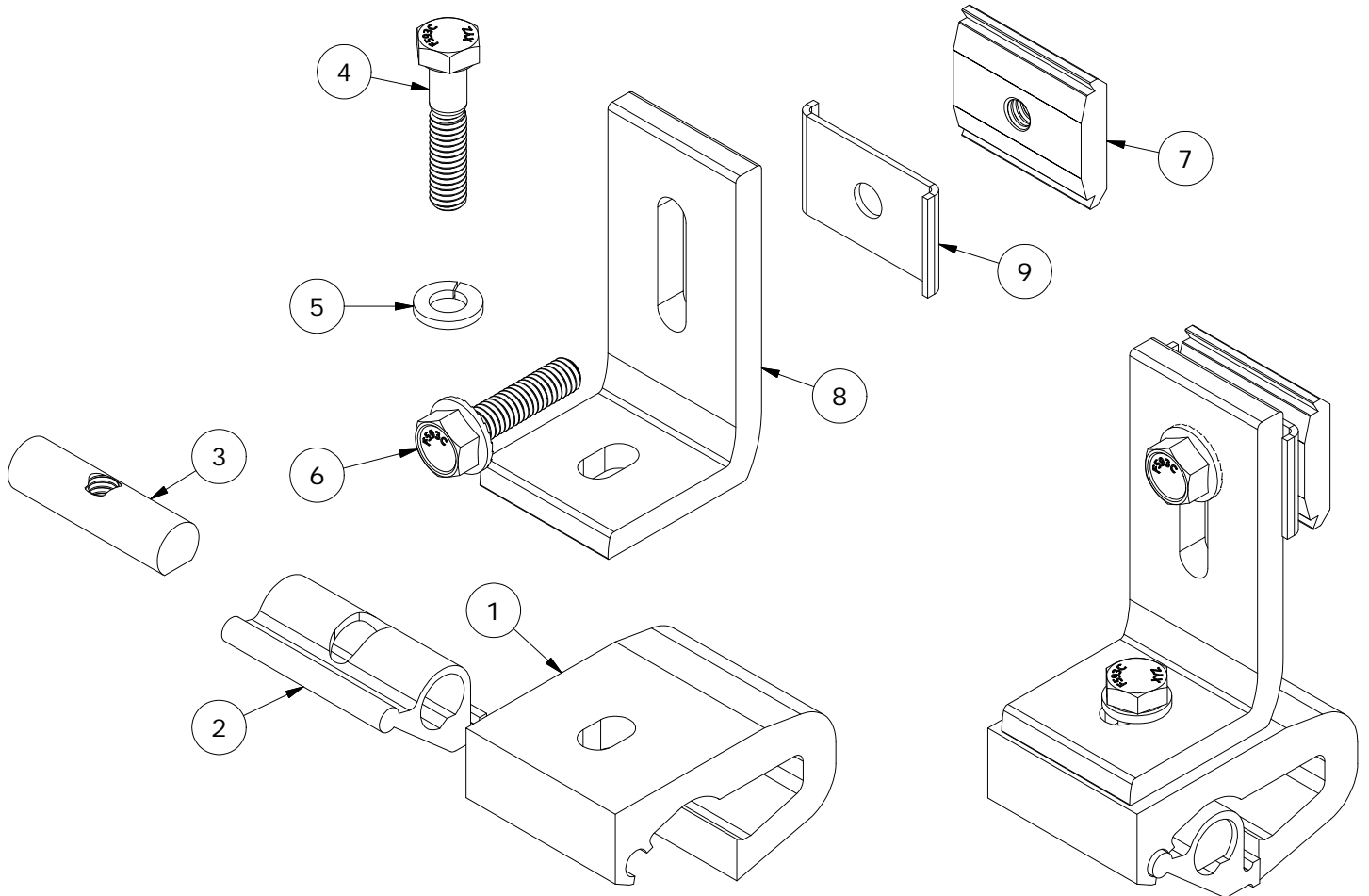
DRAWN BY:
 mwatkins

REVISION:
C

SnapNrack™
 Solar Mounting Solutions

595 MARKET STREET, 29TH FLOOR • SAN FRANCISCO, CA 94105 USA
 PHONE (415) 580-6900 • FAX (415) 580-6902

THE INFORMATION IN THIS DRAWING IS CONFIDENTIAL AND PROPRIETARY. ANY REPRODUCTION, DISCLOSURE, OR USE THEREOF IS PROHIBITED WITHOUT THE WRITTEN CONSENT OF SUNRUN SOUTH LLC.



PARTS LIST		
ITEM	QTY	DESCRIPTION
1	1	SNAPNRACK, SEAM CLAMP WIDE BASE, CLEAR
2	1	SNAPNRACK SEAM CLAMP CAM
3	1	SNAPNRACK SEAM CLAMP INSERT
4	1	5/16IN-18 X 1-1/2IN SS HCS BOLT BLACK
5	1	5/16IN SS SPLIT LOCK WASHER BLACK
6	1	BOLT, FLANGED HEX, 5/16IN-18 X 1-1/4IN, SS
7	1	SNAPNRACK CHANNEL NUT 5/16IN-18
8	1	SNAPNRACK, AP90 L FOOT PRC, CLEAR
9	1	SNAPNRACK, SEAM CLAMP ROTATION LOCK

MATERIALS:	6000 SERIES ALUMINUM, STAINLESS STEEL	OPTIONS:
DESIGN LOAD (LBS):	235 UP, 235 DOWN, 212 SIDE	
ULTIMATE LOAD (LBS):	723 UP, 386 DOWN, 674 SIDE	
TORQUE SPECIFICATION:	16.7 LB-FT	
CERTIFICATION:	UL 2703, FILE E359313	
WEIGHT (LBS):	0.70	

DESCRIPTION:
SNAPNRACK, WIDE BASE SEAM CLAMP WITH L
FOOT AND LOCK

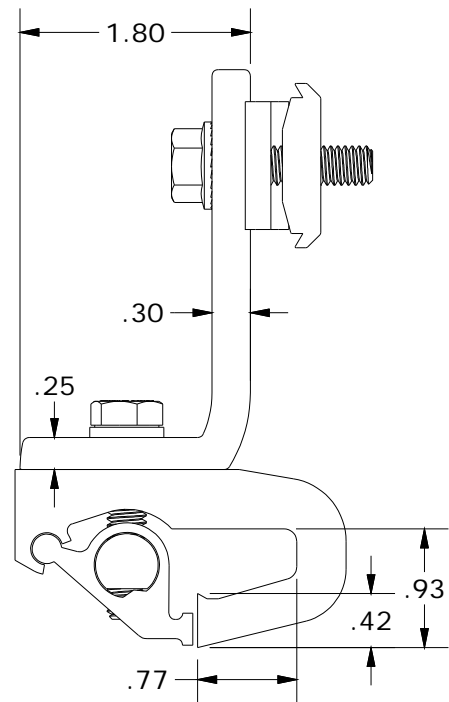
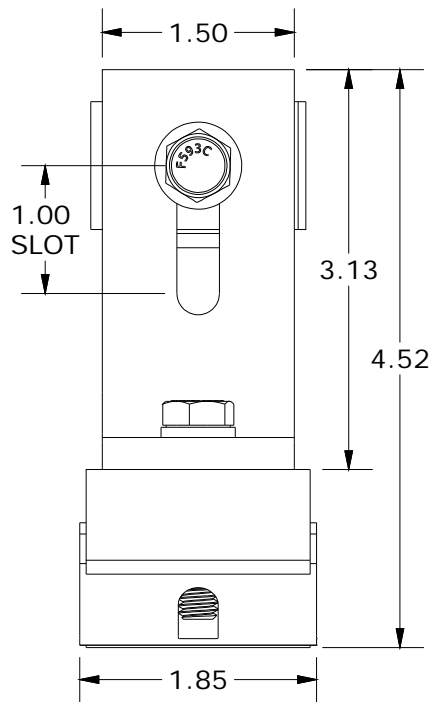
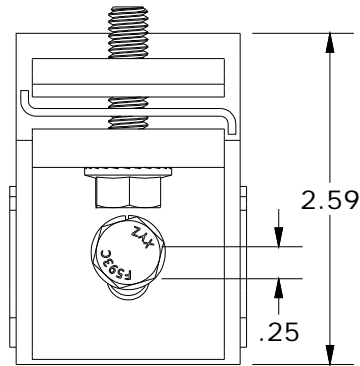
DRAWN BY:
mwatkins



PART NUMBER(S):
242-05157

REVISION:
C

595 MARKET STREET, 29TH FLOOR • SAN FRANCISCO, CA 94105 USA
PHONE (415) 580-6900 • FAX (415) 580-6902
THE INFORMATION IN THIS DRAWING IS CONFIDENTIAL AND PROPRIETARY. ANY
REPRODUCTION, DISCLOSURE, OR USE THEREOF IS PROHIBITED WITHOUT THE
WRITTEN CONSENT OF SUNRUN SOUTH LLC.



ALL DIMENSIONS IN INCHES