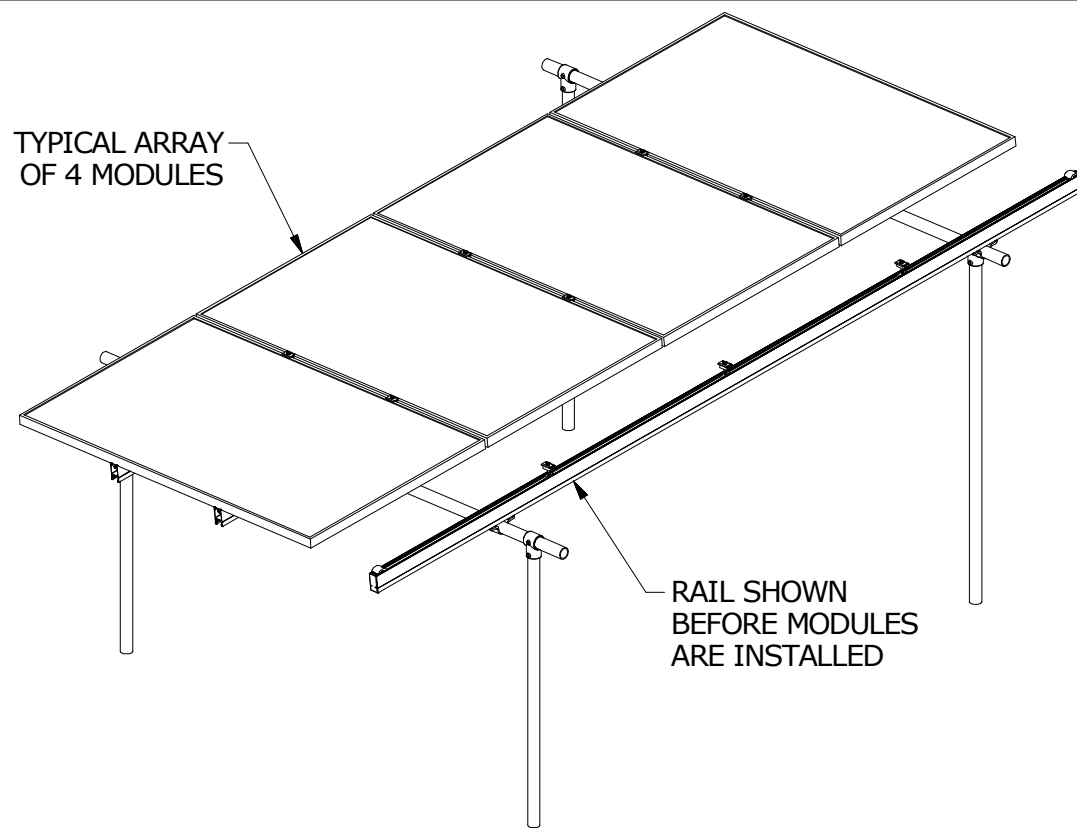
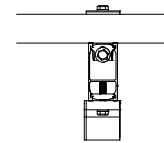


REVISION:	



ISO VIEW OF RACKING ASSEMBLY

NOTE:
 TORQUE $\frac{5}{16}$ " SS SILVER HEX BOLTS TO 10-16 FT-LBS
 TORQUE $\frac{5}{16}$ " SS BLACK HEX BOLTS TO 7-9 FT-LBS

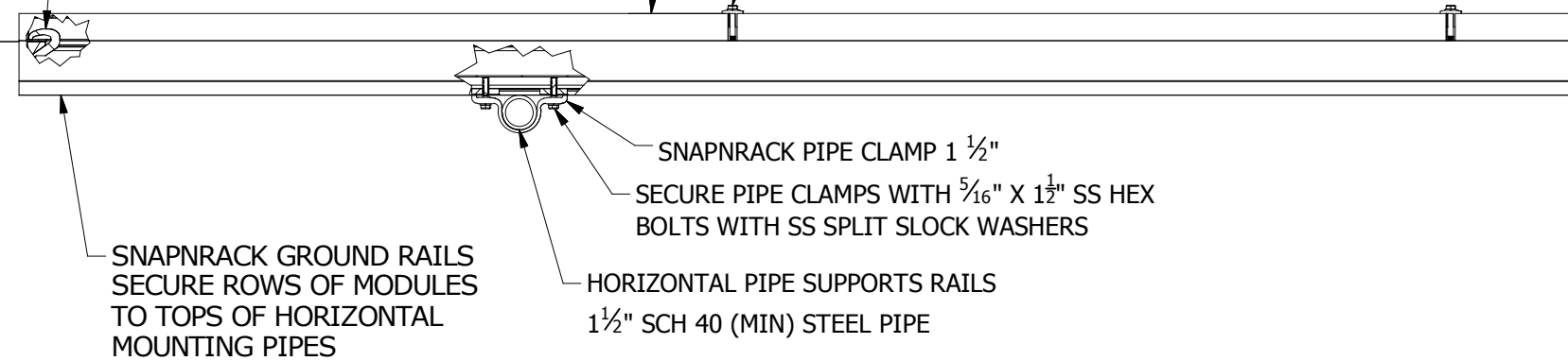


MODULE MOUNTING HARDWARE
 SNAPRACK UNIVERSAL END CLAMP (FOR END OF ROW)
 CLAMPS MODULE WITH $\frac{5}{16}$ " STAINLESS HARDWARE USING WEDGE CLAMP

FOR MODULES WITHOUT AN UNDERSIDE LIP USE SNAPRACK TOP MOUNT END CLAMPS

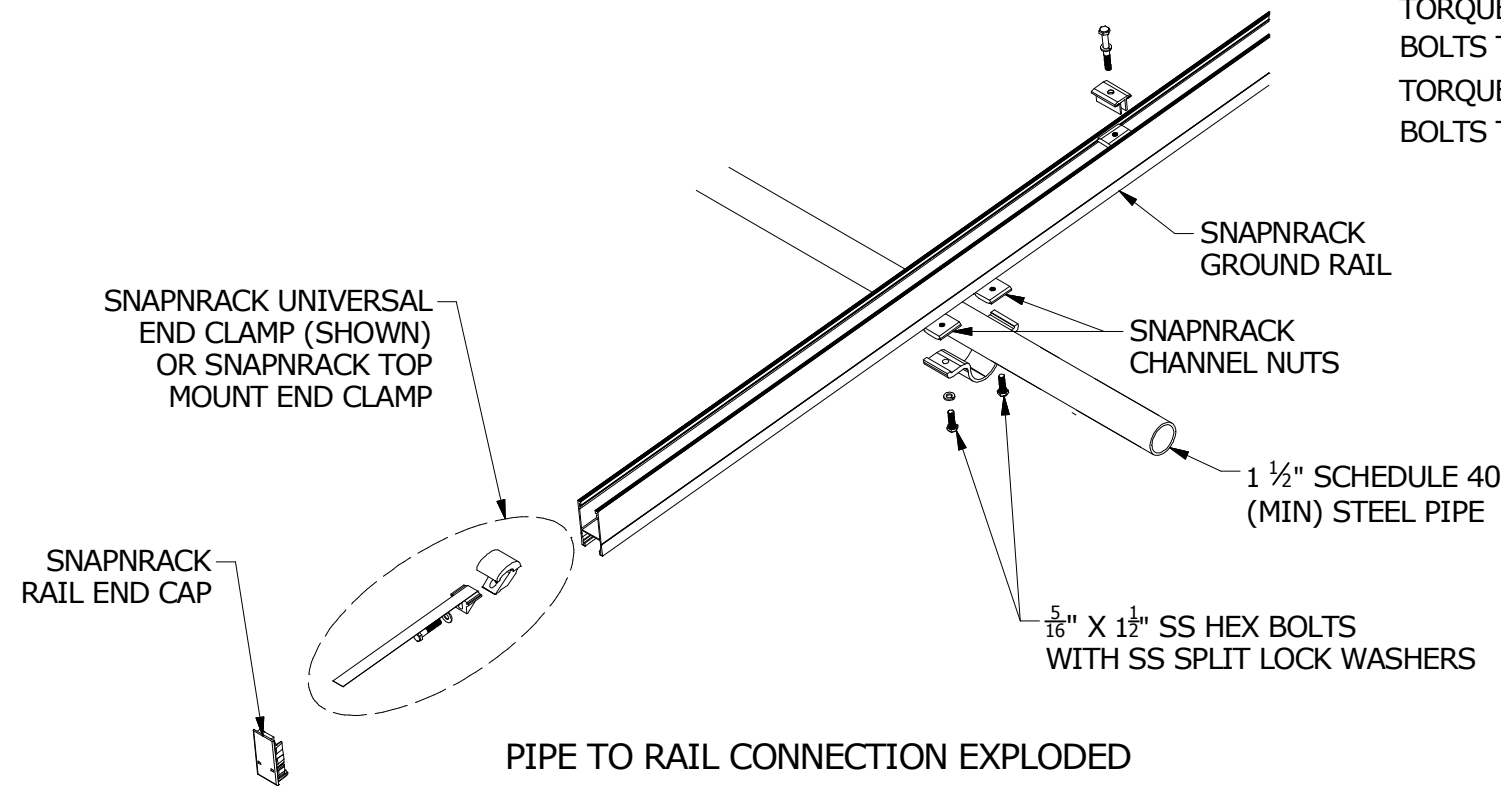
MODULES TYP
 MAX DIMENSIONS:
 78" X 40" X 2" THICK
 MAX WEIGHT: 65 LBS

MODULE MOUNTING HARDWARE MID CLAMP (FOR MIDDLE OF ROW). CLAMPS MODULE WITH $\frac{5}{16}$ " STAINLESS HARDWARE INTO CHANNEL NUT IN RAIL

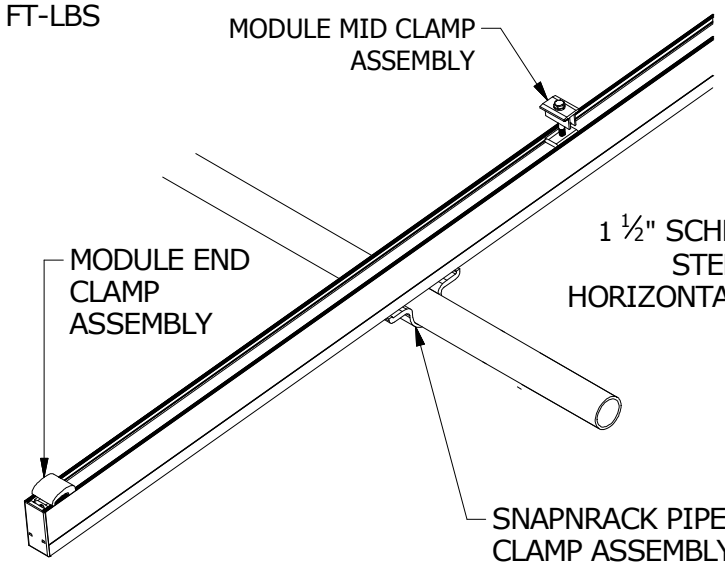


MODULE AND RAIL ATTACHMENT DETAILS

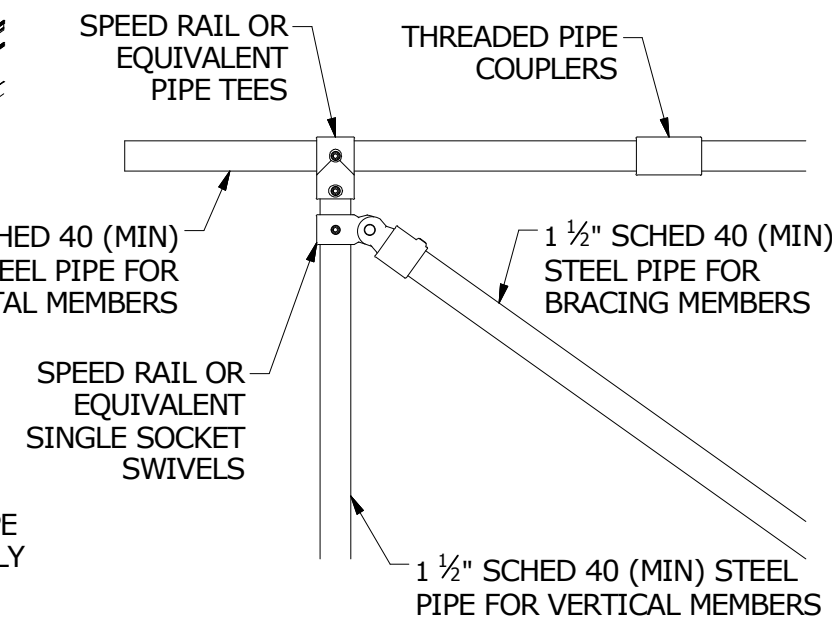
NOTE:
 TORQUE $\frac{5}{16}$ " SS SILVER HEX BOLTS TO 10-16 FT-LBS
 TORQUE $\frac{5}{16}$ " SS BLACK HEX BOLTS TO 7-9 FT-LBS



PIPE TO RAIL CONNECTION EXPLODED



PIPE TO RAIL CONNECTION



PIPE FITTING DETAILS