

# BRACING OPTION FOR HIGH LOAD OR LONGER SPAN APPLICATIONS

SEE ENGINEERING TABLES FOR PIER DEPTHS AND SPAN LIMITATIONS.

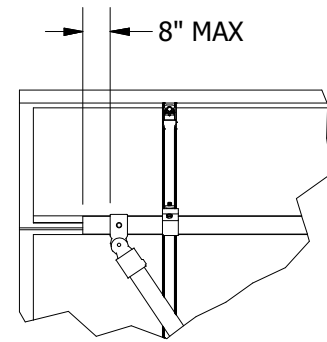
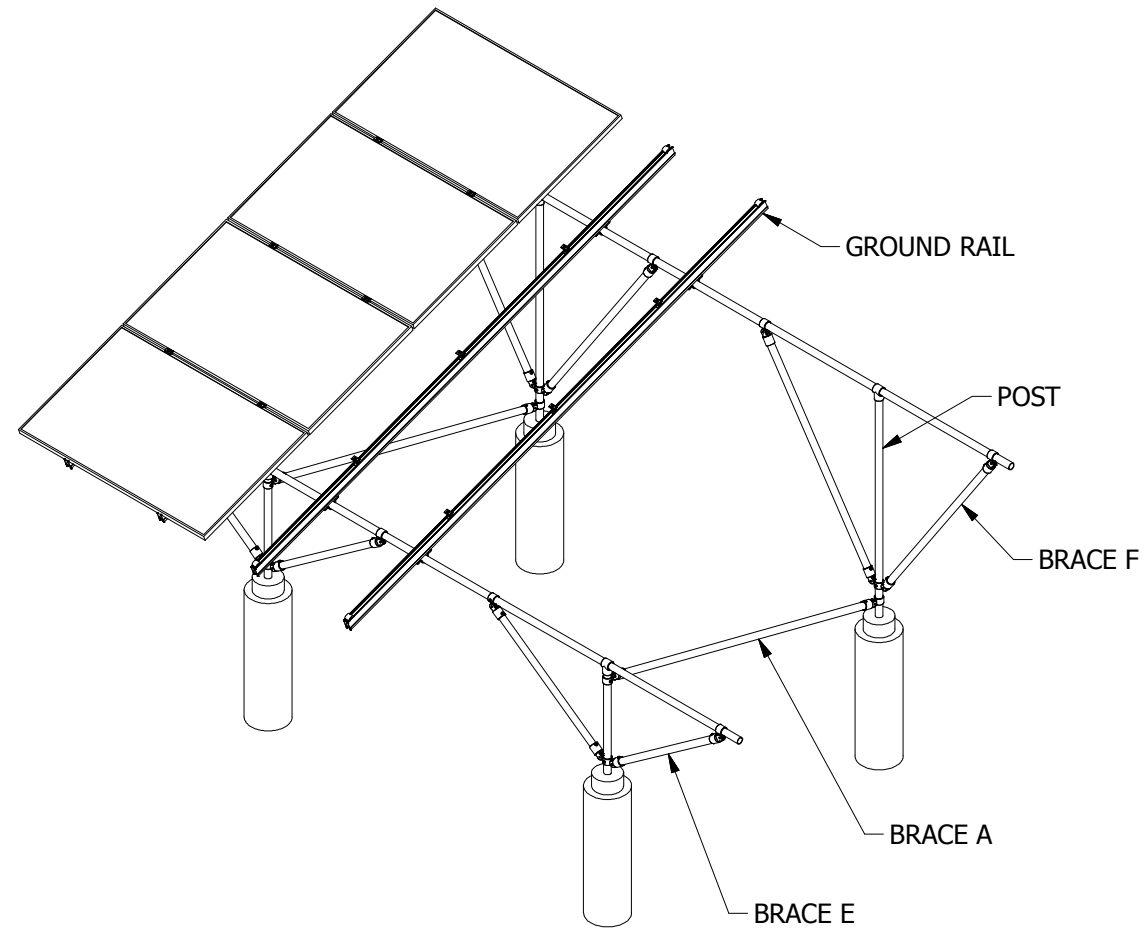
COMPATIBLE WITH ALL PIER OPTIONS INCLUDING STANDARD PIERS AND GRADE BEAMS

UNLESS OTHERWISE SPECIFIED IN ENGINEERING DOCS, THE FOLLOWING VALUES APPLY:

- MAX RL: 162"
- RS: 96"
- MAX RO: 32"

REVISION:

|  |  |
|--|--|
|  |  |
|  |  |
|  |  |
|  |  |
|  |  |
|  |  |



DETAIL A

