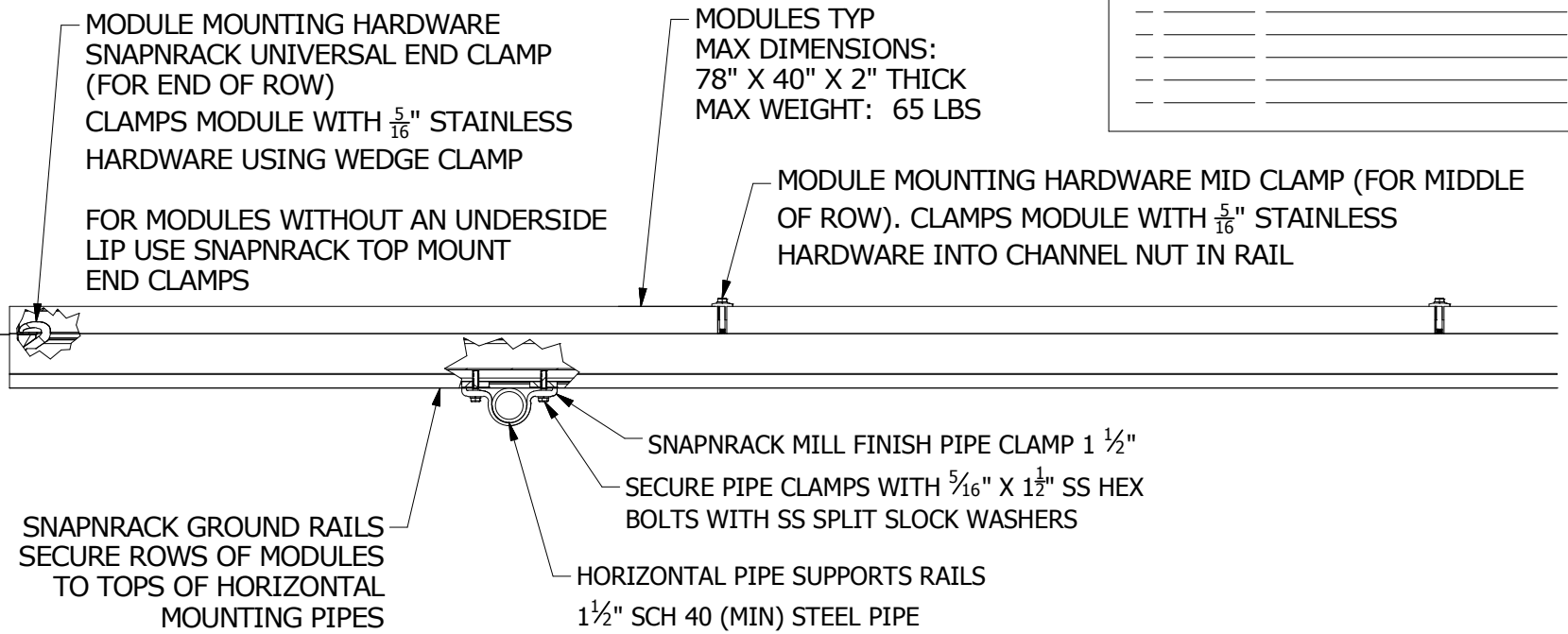
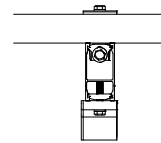


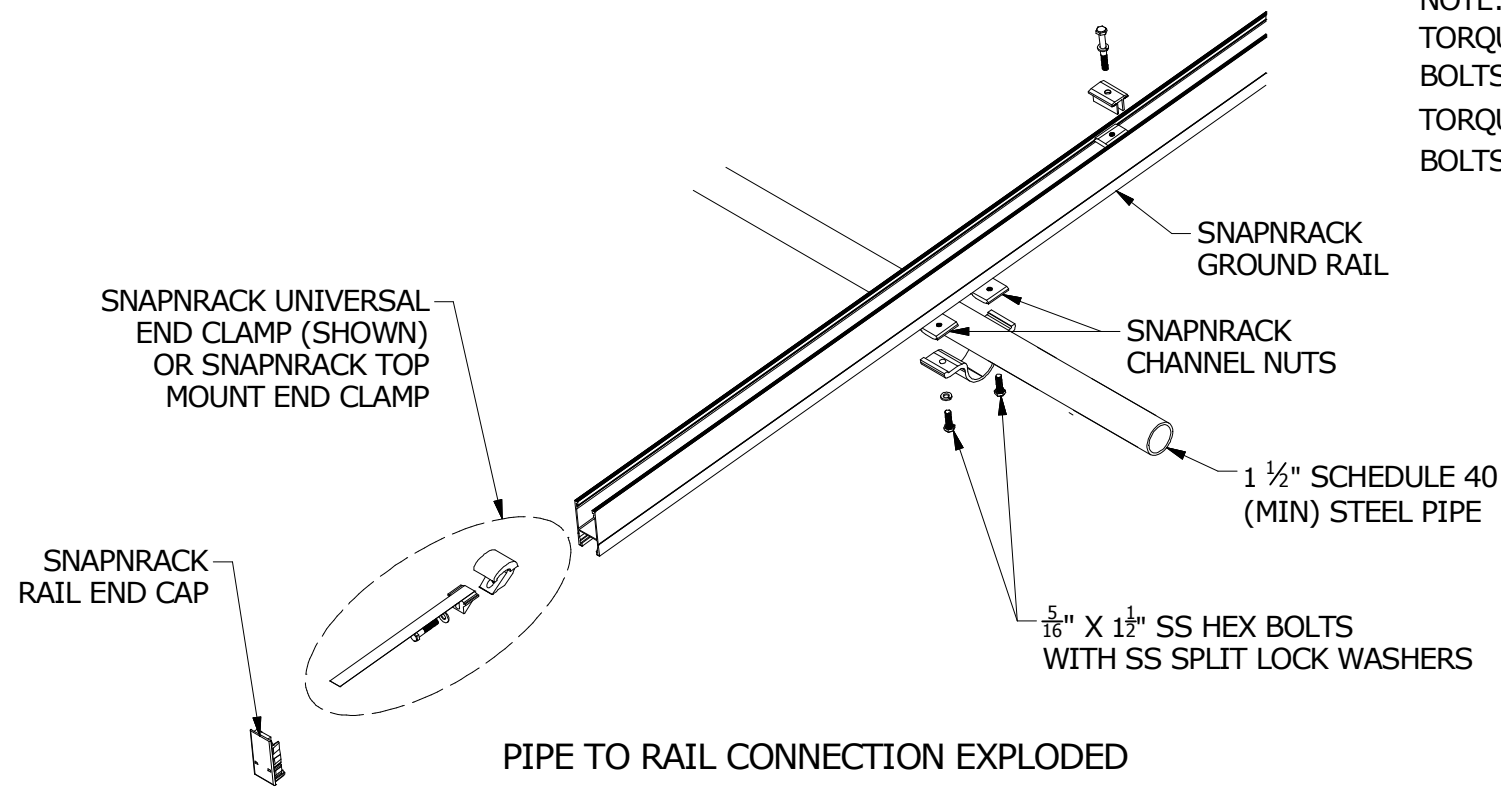
ISO VIEW OF RACKING ASSEMBLY

NOTE:
 TORQUE $\frac{5}{16}$ " SS SILVER HEX BOLTS TO 10-16 FT-LBS
 TORQUE $\frac{5}{16}$ " SS BLACK HEX BOLTS TO 7-9 FT-LBS



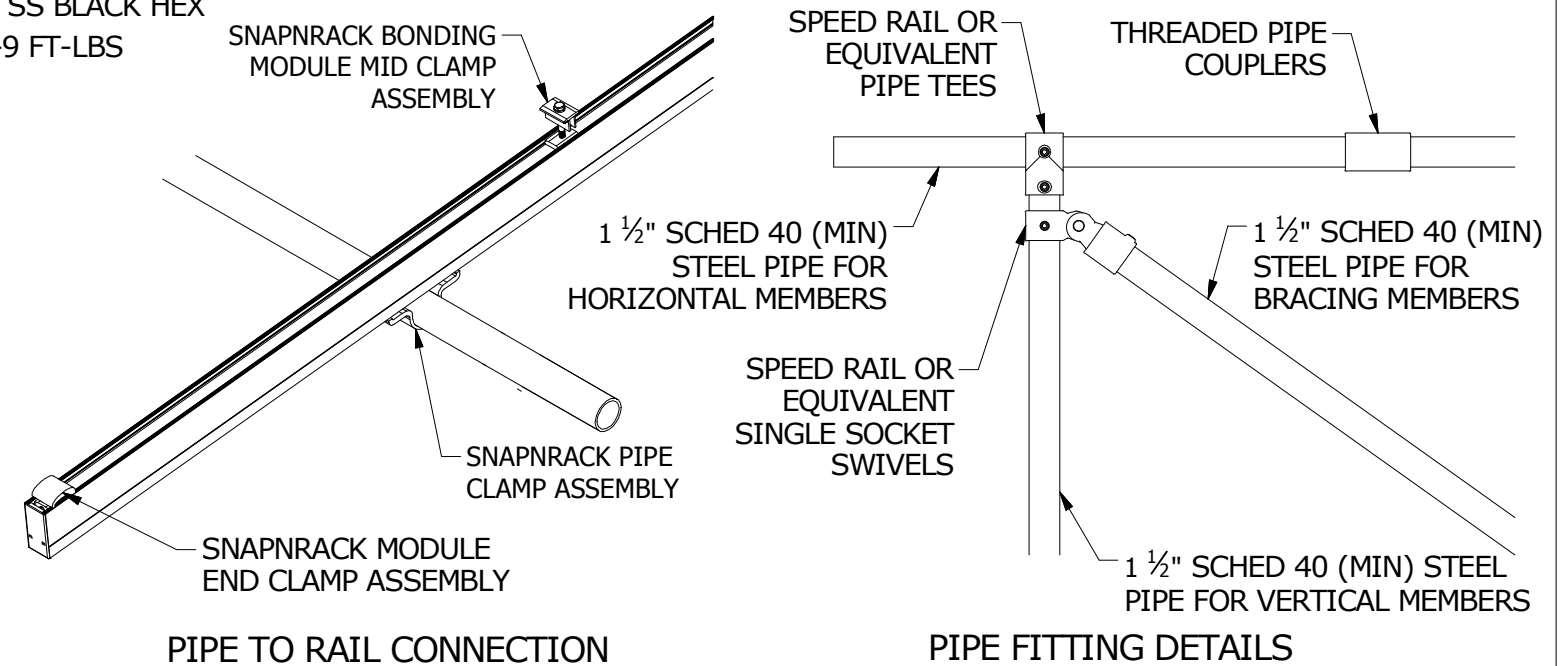
MODULE AND RAIL ATTACHMENT DETAILS

REVISION:



PIPE TO RAIL CONNECTION EXPLODED

NOTE:
 TORQUE $\frac{5}{16}$ " SS SILVER HEX BOLTS TO 10-16 FT-LBS
 TORQUE $\frac{5}{16}$ " SS BLACK HEX BOLTS TO 7-9 FT-LBS



PIPE TO RAIL CONNECTION

PIPE FITTING DETAILS