

BRACING OPTION FOR HIGH LOAD OR LONGER SPAN APPLICATIONS - 3 MODULE PANELS

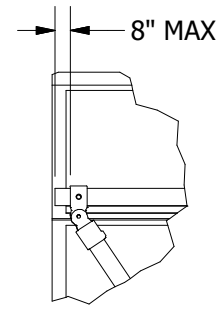
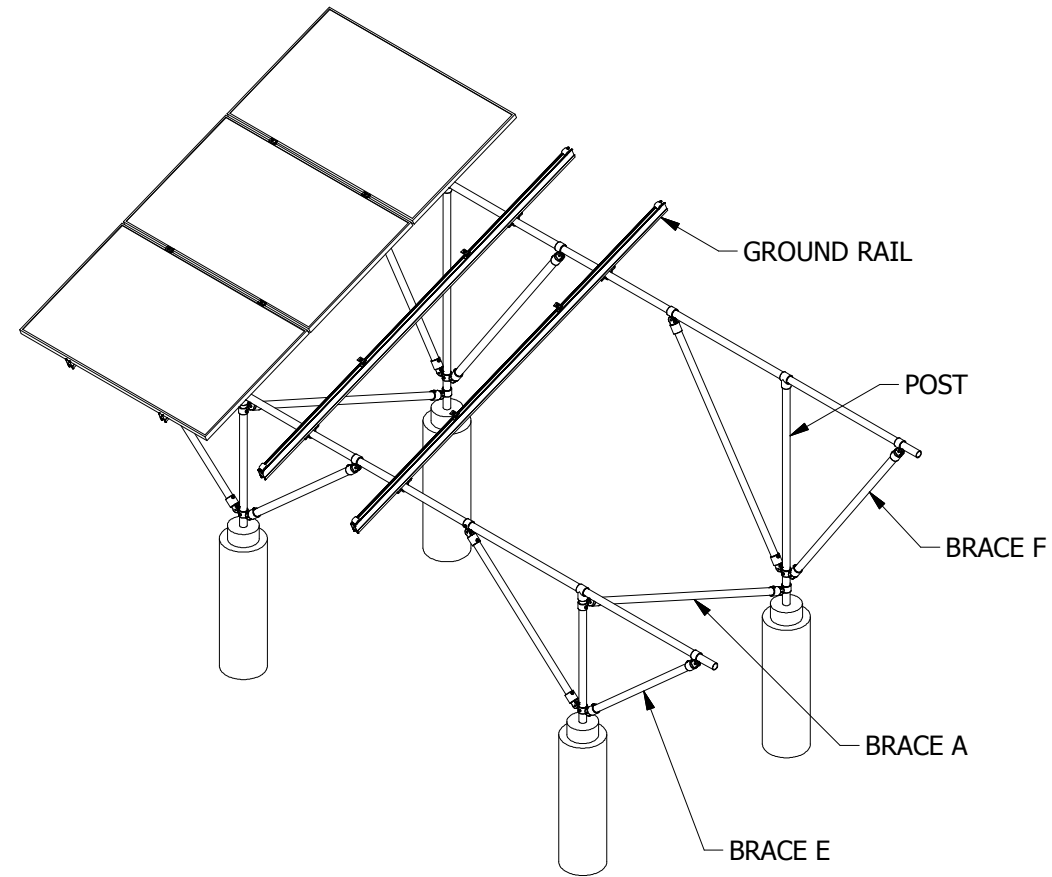
SEE ENGINEERING TABLES FOR PIER DEPTHS AND SPAN LIMITATIONS.

COMPATIBLE WITH ALL PIER OPTIONS INCLUDING STANDARD PIERS AND GRADE BEAMS

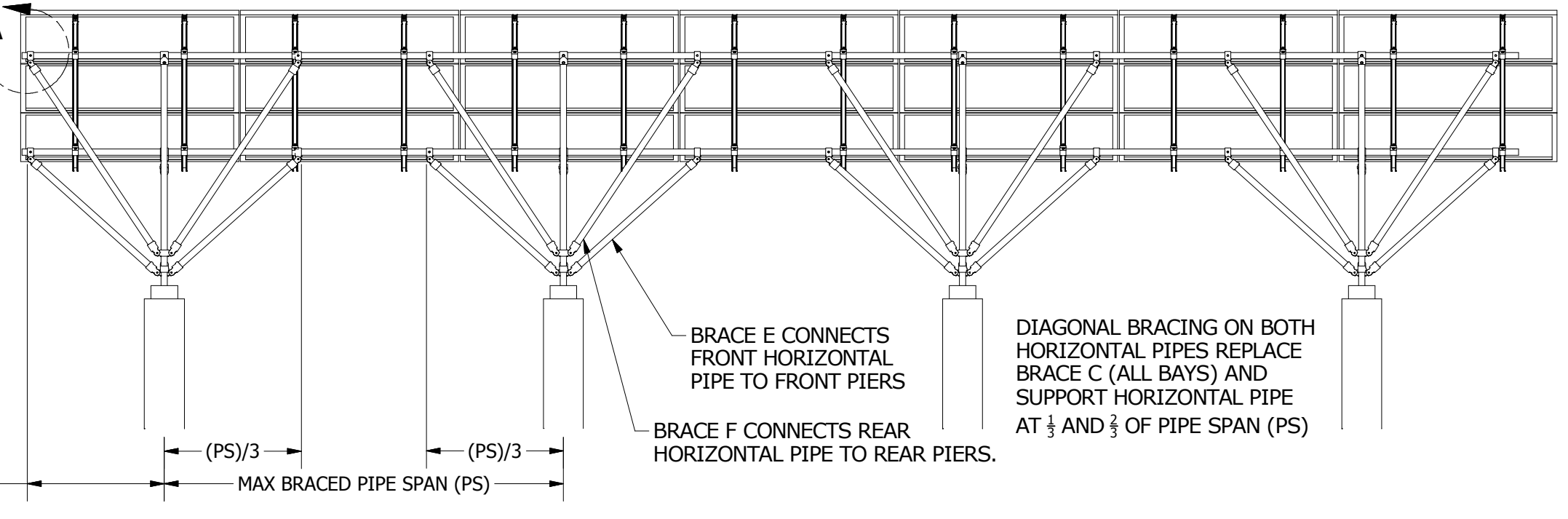
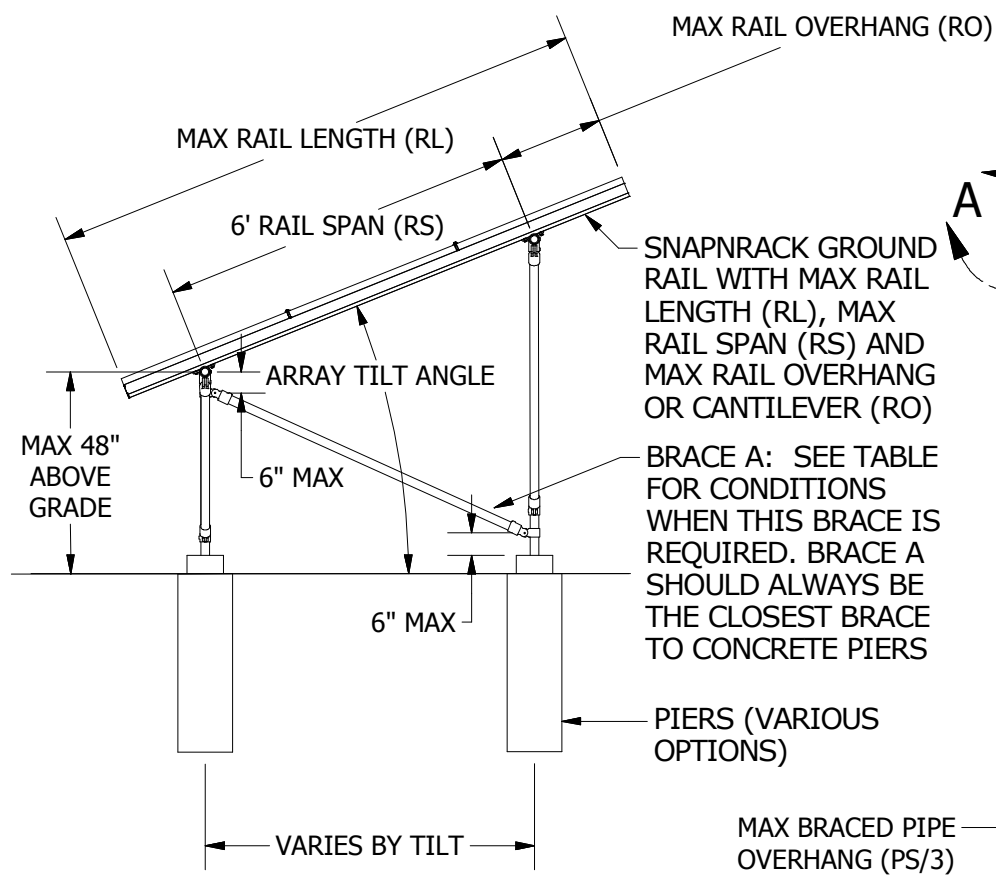
UNLESS OTHERWISE SPECIFIED IN ENGINEERING DOCS, THE FOLLOWING VALUES APPLY:

- MAX RL: 122"
- RS: 72"
- MAX RO: 24"

REVISION:



DETAIL A



MAINSTREAM ENERGY CORP.
775 FIERO LANE, SUITE 200 • SAN LUIS OBISPO, CA 93401 USA
PHONE (805) 528-9705 • FAX (805) 528-9701

THE INFORMATION IN THIS DRAWING IS CONFIDENTIAL AND PROPRIETARY. ANY REPRODUCTION, DISCLOSURE, OR USE THEREOF IS PROHIBITED WITHOUT THE WRITTEN CONSENT OF MAINSTREAM ENERGY CORPORATION.

DESIGNER: G. McPheeters
DRAFTER: D. Ryan
APPROVED BY: _____

SCALE: DNS
DATE: 120113

PART NUMBER: S200 D05

DESCRIPTION: SERIES 200 BRACED OPTION 3 MODULE PANELS

REV G