

GRADE BEAM FOUNDATION CONFIGURATION

SEE ENGINEERING TABLES FOR SPAN LIMITATIONS.

UNLESS OTHERWISE SPECIFIED IN ENGINEERING DOCS, THE FOLLOWING VALUES APPLY:

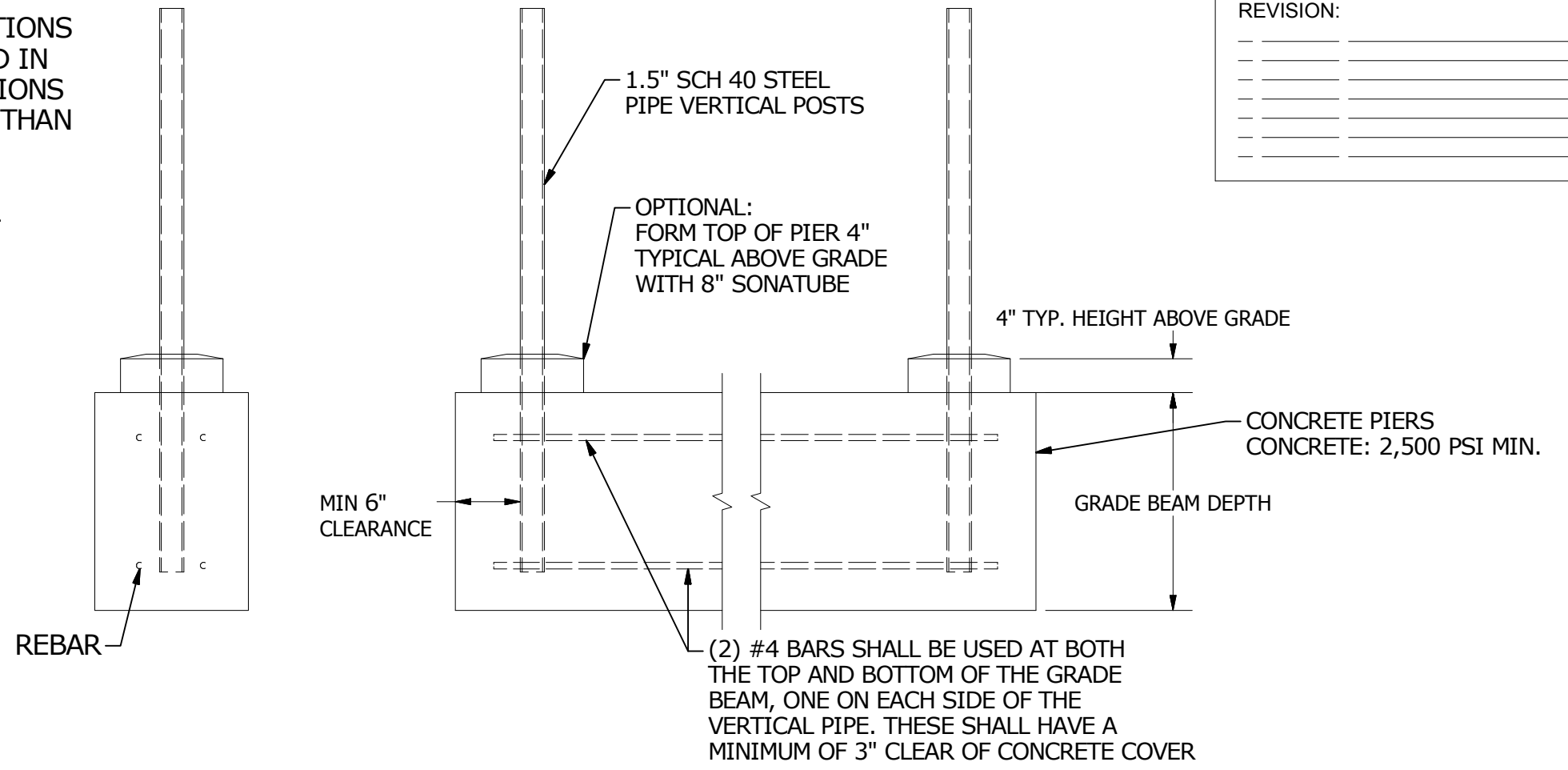
MAX RL: 162"
RS: 96"
MAX RO: 32"

MIN GBW: 12"
MIN GBD: 18"

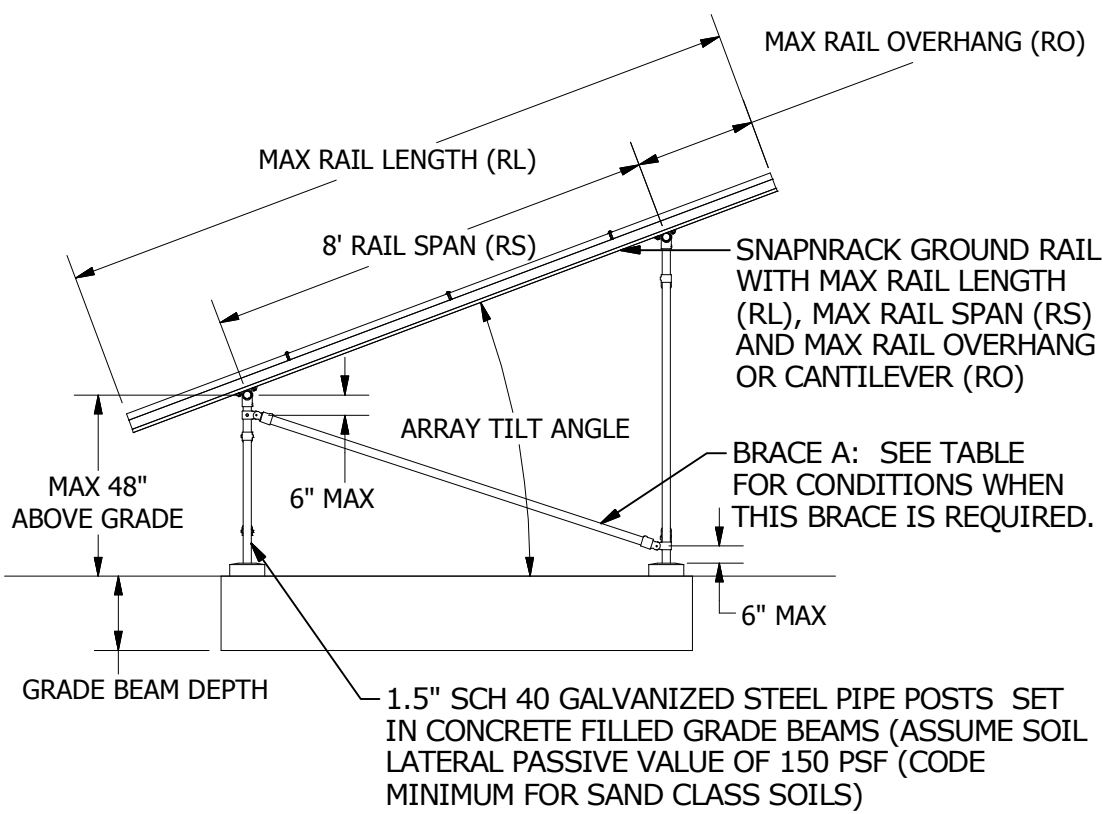
GRADE BEAM FOUNDATIONS SHOULD ONLY BE USED IN FLAT GROUND CONDITIONS (GROUND SLOPE LESS THAN 5 DEGREES TYPICAL)

COMPATIBLE WITH ALL BRACING OPTIONS

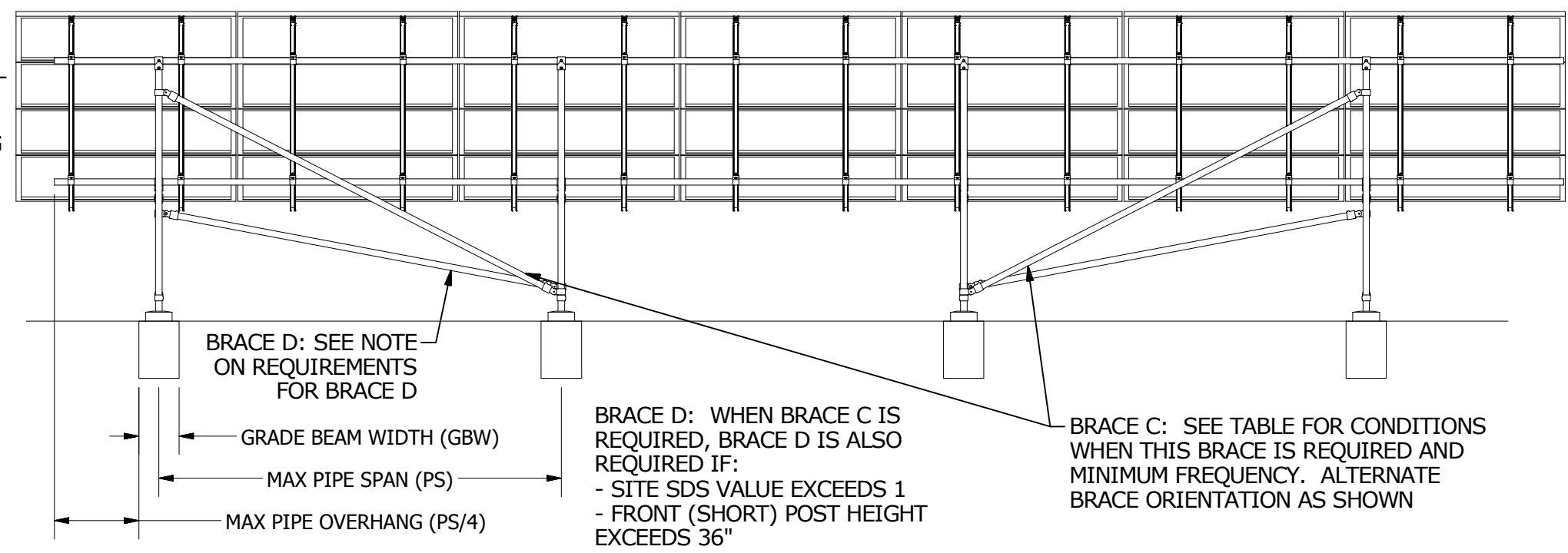
REVISION:



GRADE BEAM FOUNDATION DETAIL



ARRAY SIDE VIEW



ARRAY BACK VIEW



MAINSTREAM ENERGY CORP.
775 FIERO LANE, SUITE 200 • SAN LUIS OBISPO, CA 93401 USA
PHONE (805) 528-9705 • FAX (805) 528-9701

THE INFORMATION IN THIS DRAWING IS CONFIDENTIAL AND PROPRIETARY. ANY REPRODUCTION, DISCLOSURE, OR USE THEREOF IS PROHIBITED WITHOUT THE WRITTEN CONSENT OF MAINSTREAM ENERGY CORPORATION.

DESIGNER: G McPheeters
DRAFTER: D Ryan
APPROVED BY: _____

SCALE: DNS
DATE: 120113

PART NUMBER: S200 D07

DESCRIPTION: SERIES 200 GRADE BEAM OPTION

REV G