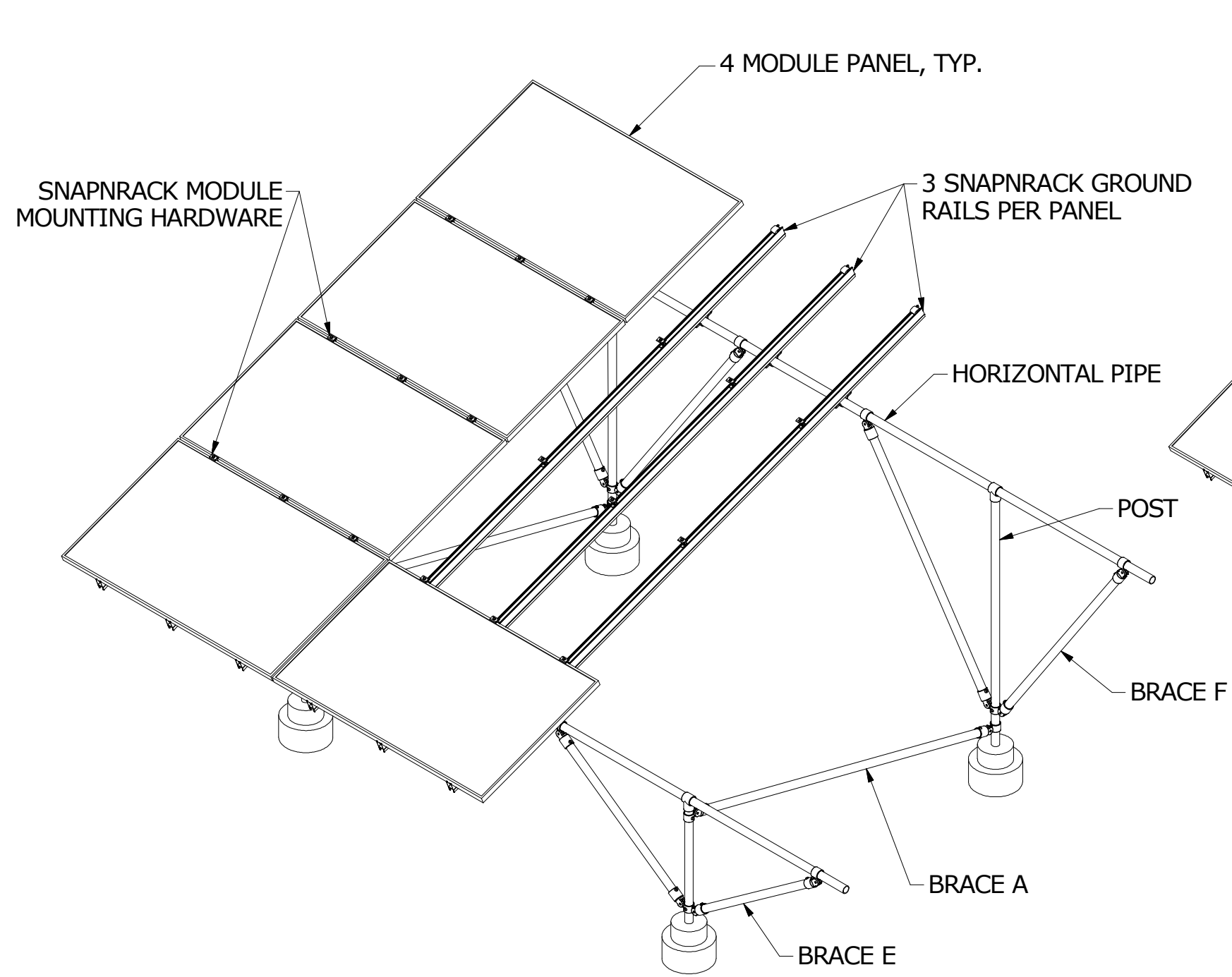


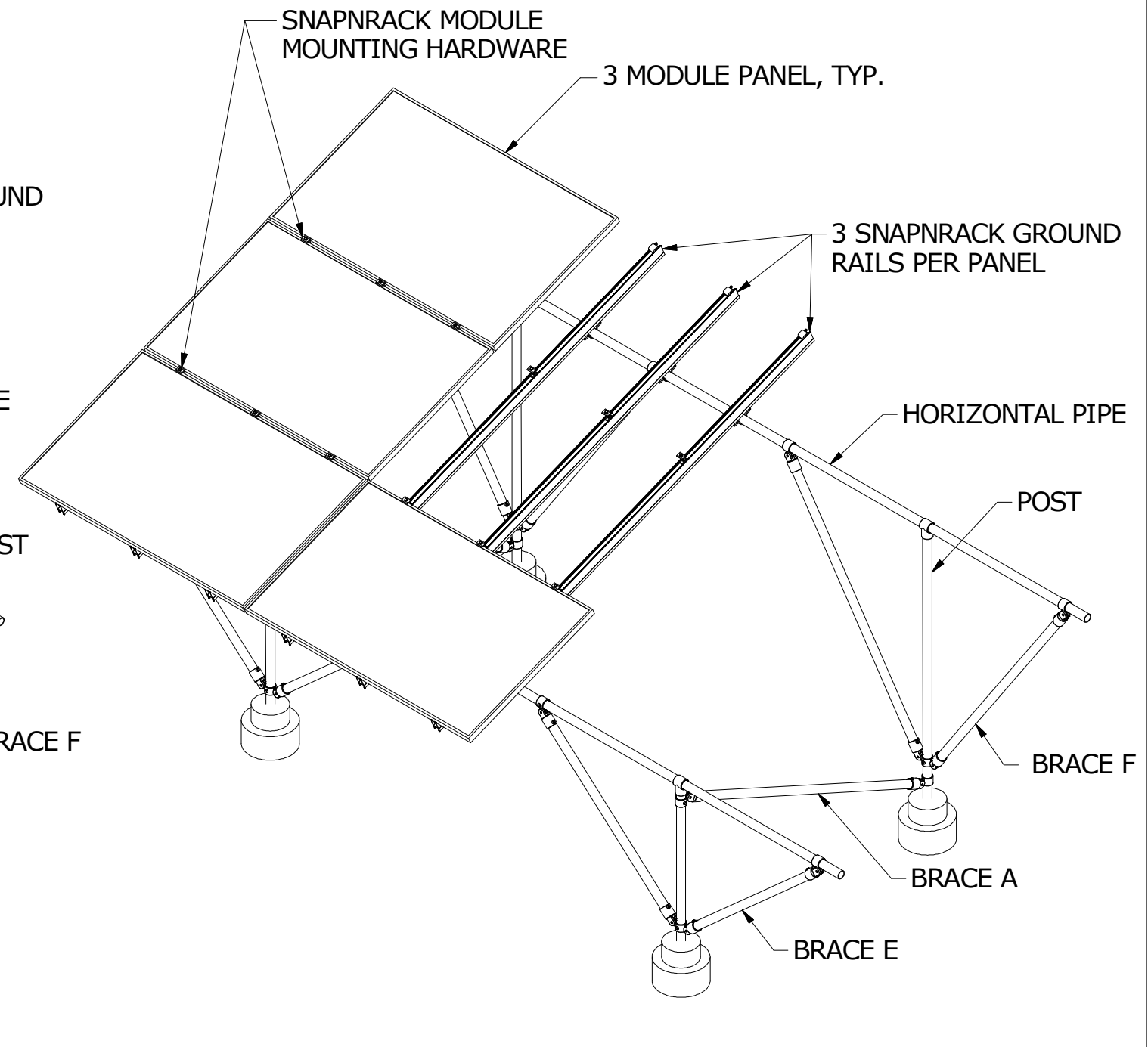
# SERIES 200 3-RAIL CONFIGURATIONS

THE SERIES 200 3-RAIL OPTION CAN BE SET UP FOR 3 MODULE AND 4 MODULE PANELS USING 3 RAILS PER PANEL.

REVISION:

4 MODULE PANEL CONFIGURATION



3 MODULE PANEL CONFIGURATION



MAINSTREAM ENERGY CORP.  
 775 FIERO LANE, SUITE 200 • SAN LUIS OBISPO, CA 93401 USA  
 PHONE (805) 528-9705 • FAX (805) 528-9701

DESIGNER: GMcPheeters  
 DRAFTER: DRyan  
 APPROVED BY: \_\_\_\_\_

SCALE: DNS  
 DATE: 120113

PART NUMBER:  
S200 D09

DESCRIPTION: SERIES 200, 3-RAIL CONFIGURATIONS, BRACED OPTION

REV  
**G**

THE INFORMATION IN THIS DRAWING IS CONFIDENTIAL AND PROPRIETARY. ANY REPRODUCTION, DISCLOSURE, OR USE THEREOF IS PROHIBITED WITHOUT THE WRITTEN CONSENT OF MAINSTREAM ENERGY CORPORATION.