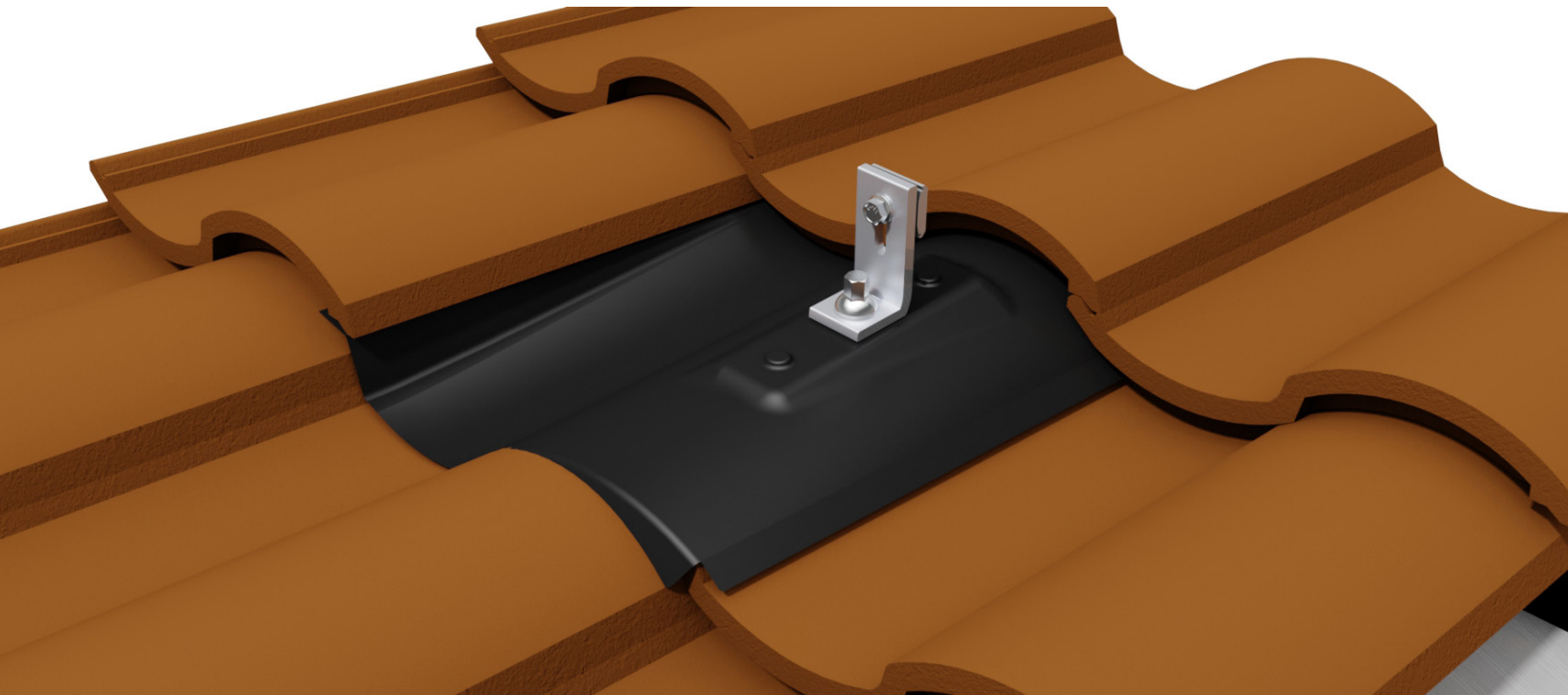


# Tile Replacement



The most effective method for mounting solar to tile roofs



No cutting of tiles required as with tile hook designs



Single Tool installation and snap-in features as with all SnapNrack products



Flexible material for easy insertion onto any tile roof



Save time and material costs on broken tiles

## Start Installing the Tile Replacement Today

**RESOURCES**  
**DESIGN**  
**WHERE TO BUY**

[snapnrack.com/resources](https://snapnrack.com/resources)  
[snapnrack.com/configurator](https://snapnrack.com/configurator)  
[snapnrack.com/where-to-buy](https://snapnrack.com/where-to-buy)

# The SnapNrack Series 100 Tile Replacement

provides the best solution for mounting the industry-leading Series 100 rail on tile roofs. It's versatility and simple design make it the easiest install experience of any tile replacement on the market.

## Base Assembly

- Two piece design means less parts to keep track of up on the roof.
- Simply lag the base into place and slide the riser shaft into position for the tile replacement flashing
- Stud design on riser makes it easier to locate when installing flashing



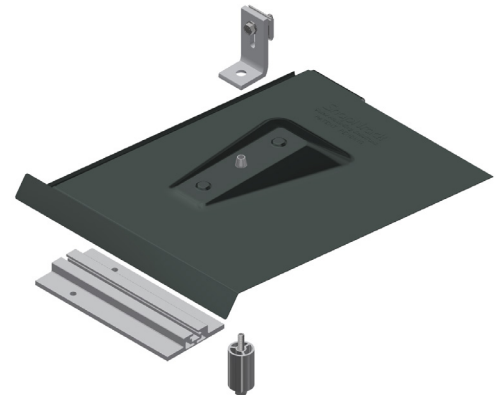
## Tile Replacement Flashing

- Profiles available to fit with all S-tile, Flat Tile and W-Tile types for any tile application
- Unique formable material makes installation on tile roof easy and flexible
- Specialized features such as rear support foot and front lip help add structure and improve the aesthetic finish
- Umbrella sealing technology ensures a fully weatherproof install that will stand the test of time



## Total Package Benefits

- SnapNrack Tile Replacements create a source of tiles to replace those broken through installation and wear and tear
- Entire assembly and flashing packaged together for easy logistics on and off the roof
- Series 100 L Foot and Channel Nut make rail installation a breeze



# Quality. Innovative. Superior.

SnapNrack Solar Mounting Solutions are engineered to optimize material use and labor resources and improve overall installation quality and safety.