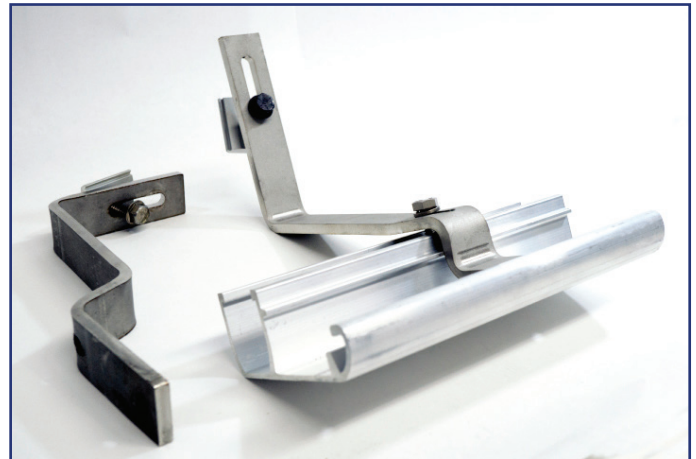


Series 100 Tile Roof Hook Solutions

SnapNrack Universal Tile Hooks are designed specifically for flat, S and W shaped tile roofs, while the Flat Tile Hooks are a lower cost solution for flat tile. The roof hooks are a strong, low-profile roof attachment solution for tile roofing that eliminates the need for cone flashings and cutting and drilling of tile. The hook arm is fabricated from 304 Stainless Steel for maximum stiffness and lowest possible thickness, typically allowing installation without cutting or grinding of tiles.

- Slotted attachment provides 1.25” of vertical adjustment for array leveling
- Strong and rigid design reduces the quantity of tile hooks and roof attachments required
- Universal hook features quick “drop-in” design, simply rock arm into base and secure with a single bolt
- Tile hook profiles are specifically designed for use with SnapNrack Standard Rail
- Flexible flashing available for flat tile roof hooks



242-02045 | 242-02044

Features Include



Snap in Hardware



Single Tool Installation



Easy Leveling



No Cutting or Drilling



Preassembled hardware

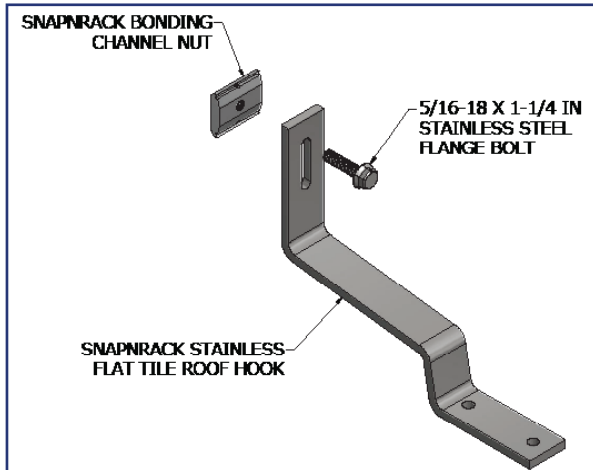


Integrated bonding

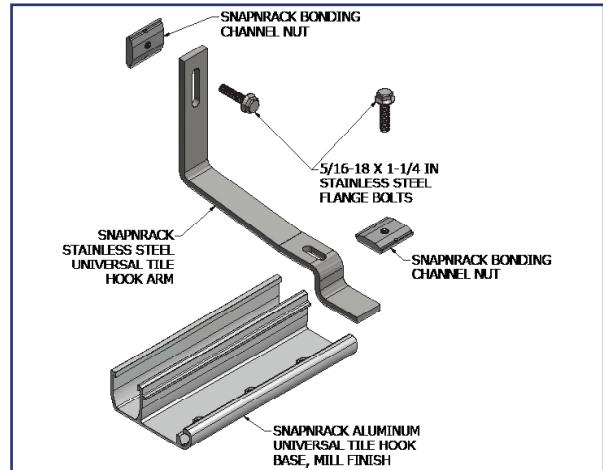


UL 2703 Certified

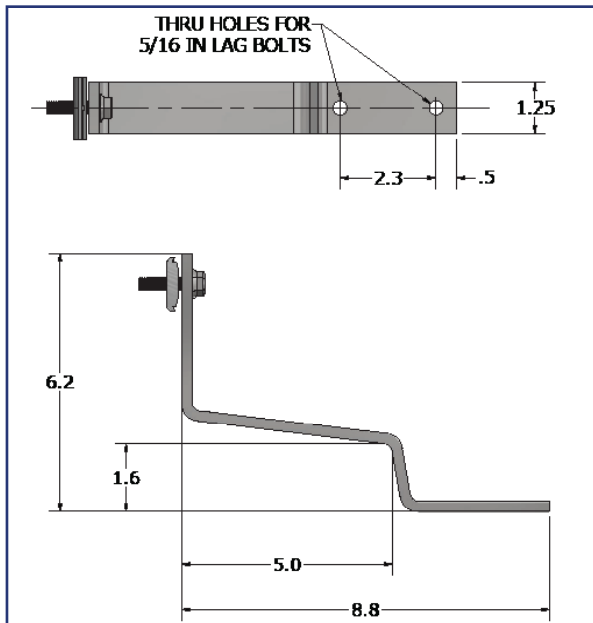
Flat Tile Hook Assembly



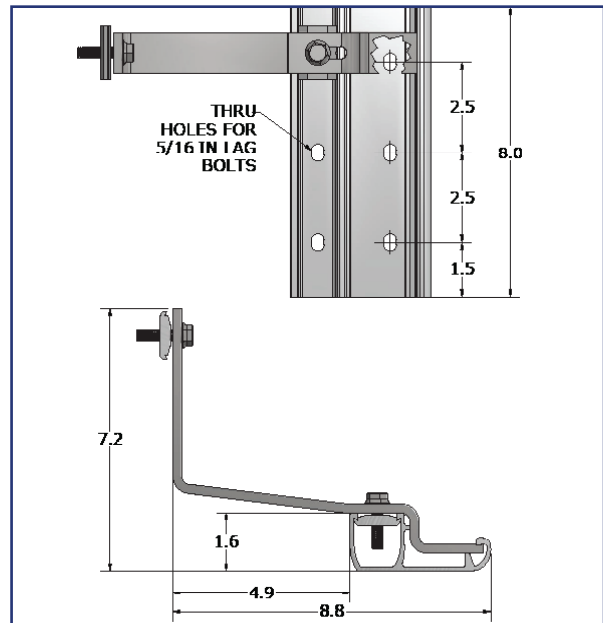
Universal Tile Hook Assembly



Flat Tile Hook Dimensions



Universal Tile Hook Dimensions



TILE ROOF HOOK TECHNICAL DATA

	Universal Tile Hook	Flat Tile Hook
Materials	<ul style="list-style-type: none"> Aluminum base Stainless steel tile hook arm Silver anodized Channel Nut Stainless steel hardware 	<ul style="list-style-type: none"> Stainless steel tile hook arm Silver anodized Channel Nut Stainless steel hardware
Material Finish		Mill finish
Design Uplift Load		318 lbs
Rail Spans	Limited to rail spans no greater than 72". No tilt ups.	
Torque Specification	Universal Tile Hook arm to base: 10-16 ft lbs Rail attachment: 10-16 ft-lbs	